

1 2 3 4 5 6

A

B

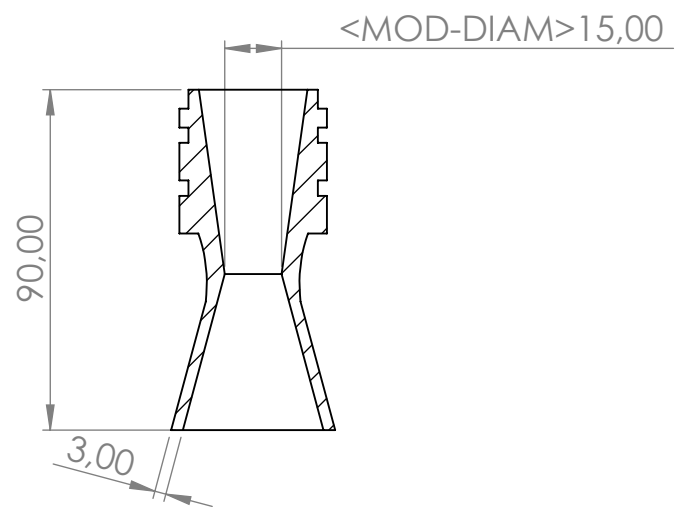
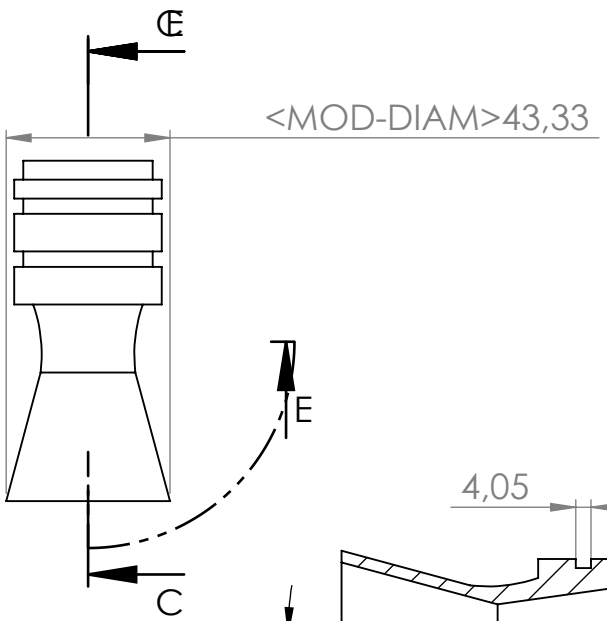
C

D

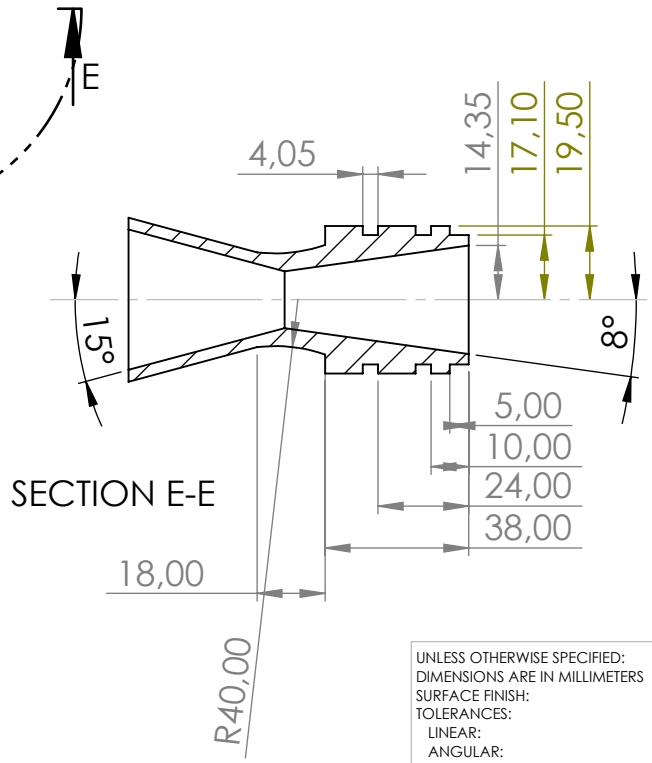
A

B

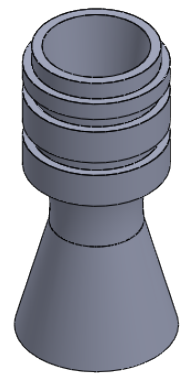
C



SECTION C-C



SECTION E-E



UNLESS OTHERWISE SPECIFIED:
 DIMENSIONS ARE IN MILLIMETERS
 SURFACE FINISH:
 TOLERANCES:
 LINEAR:
 ANGULAR:

FINISH:

DEBUR AND
 BREAK SHARP
 EDGES

DO NOT SCALE DRAWING

REVISION

	NAME	SIGNATURE	DATE		
DRAWN					
CHK'D					
APPV'D					
MFG					
Q.A					

TITLE:

MATERIAL:

DWG NO.

Tuyère

A4

WEIGHT:

SCALE:1:2

SHEET 1 OF 1

1 2 3 4 5 6