

F

E

D

C

B

A

4

3

2

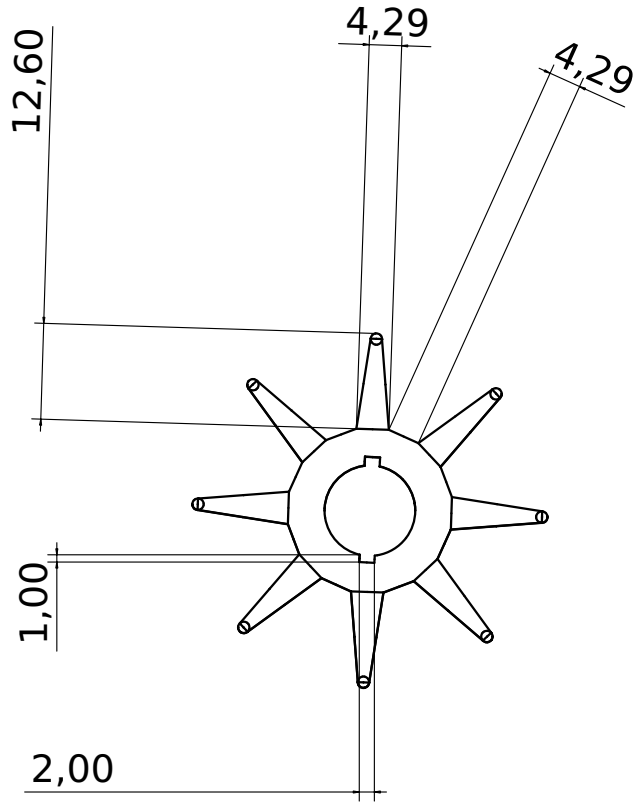
1


4

3

2

1



DESIGNED BY: Designed by Name		Ecarteur 0,4mm		G	—
DATE: Date		Subtitle		F	—
SIZE A4				E	—
				D	—
SCALE Scale	WEIGHT (kg) Weight	DRAWING NUMBER Drawing number		C	—
		SHEET Sheet		B	—
This drawing is our property; it can't be reproduced or communicated without our written consent.				A	—

F

E

D