

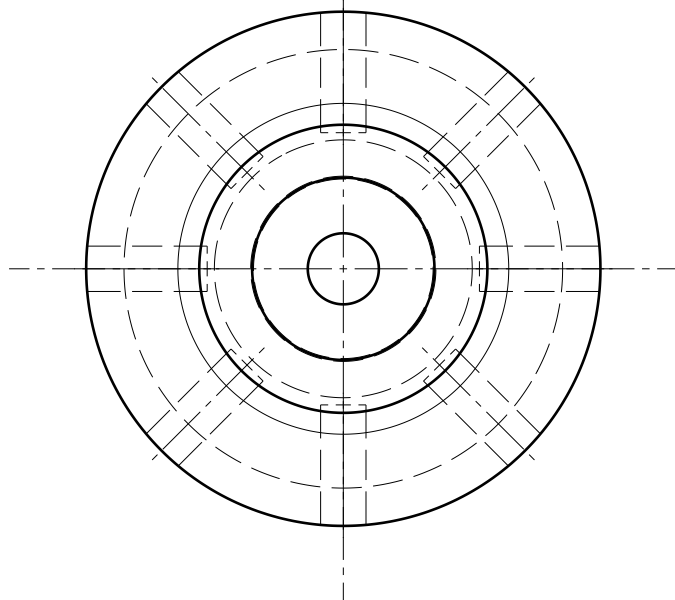
D

C

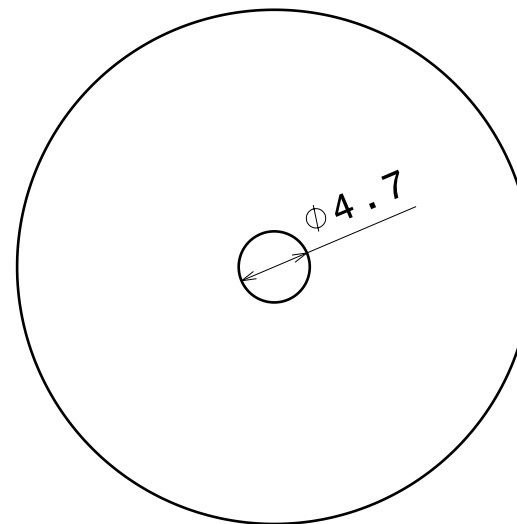
B

A

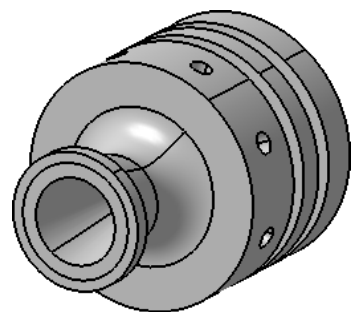
8 Trous espacés de 45°



Vue de face



Vue de dos



Vue isométrique
Echelle : 1:1

DESIGNED BY: Hugo B		Tuèyre pour moteur à ergol solide conique	I	-
DATE: 12/06/2021			H	-
CHECKED BY: XXX		CATIA V5	G	-
DATE: XXX			F	-
SIZE A4		Tuyère HB-G82 Mk1	E	-
SCALE 2:1	WEIGHT (kg) 0,01		D	-
DRAWING NUMBER		SHEET 3/3	C	-
			B	-
		A	-	

This drawing is our property; it can't be reproduced or communicated without our written agreement.

D

A

4

4

3

3

2

2

1

1