

D

C

B

A

4

4

3

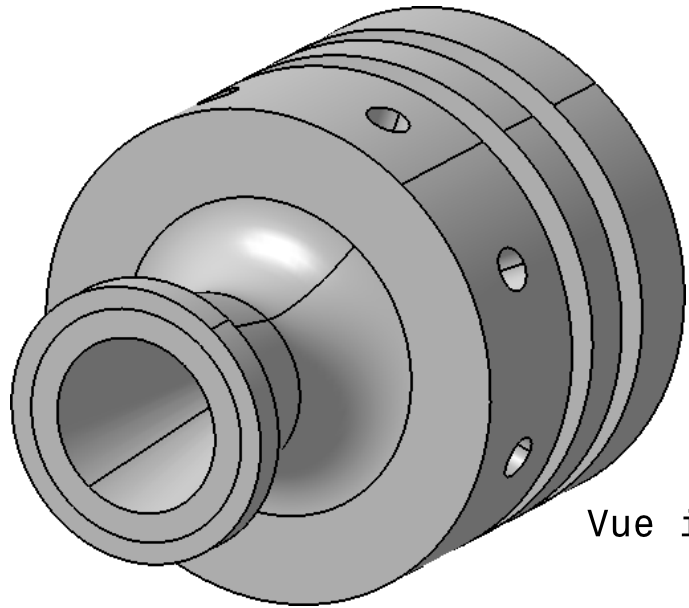
3

2

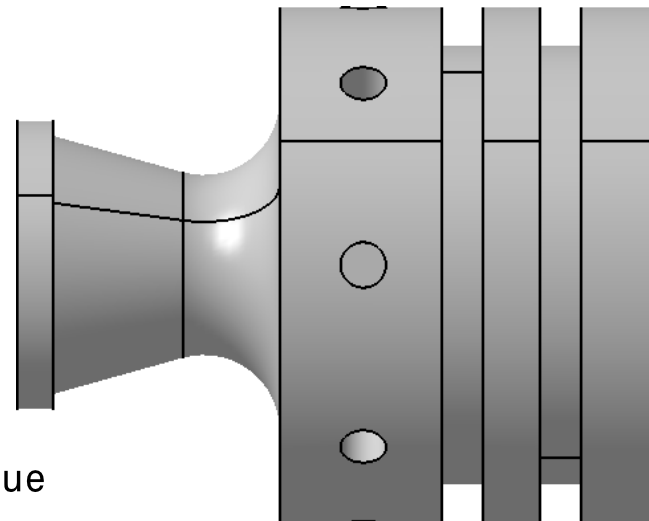
2

1

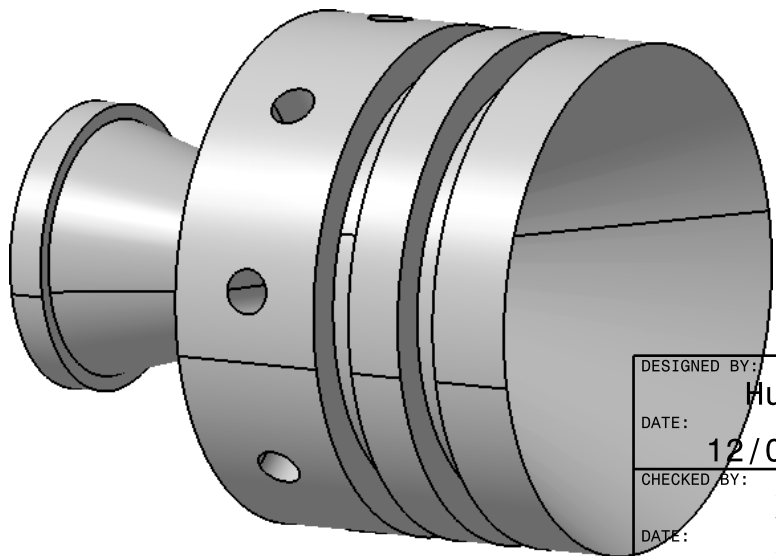
1



Vue isométrique



Vue de côté



Vue isométrique
Echelle : 2:1

DESIGNED BY:
Hugo B
DATE:
12/06/2021
CHECKED BY:
XXX
DATE:
XXX

Tuèyre pour moteur à ergol solide
conique

I	-
H	-
G	-
F	-
E	-
D	-
C	-
B	-
A	-

SIZE
A4

CATIA V5

SCALE
2:1

WEIGHT (kg)
0,01

DRAWING NUMBER
Tuyère HB-G82 Mk1

SHEET
1 / 3

This drawing is our property; it can't be reproduced or communicated without our written agreement.

D

A