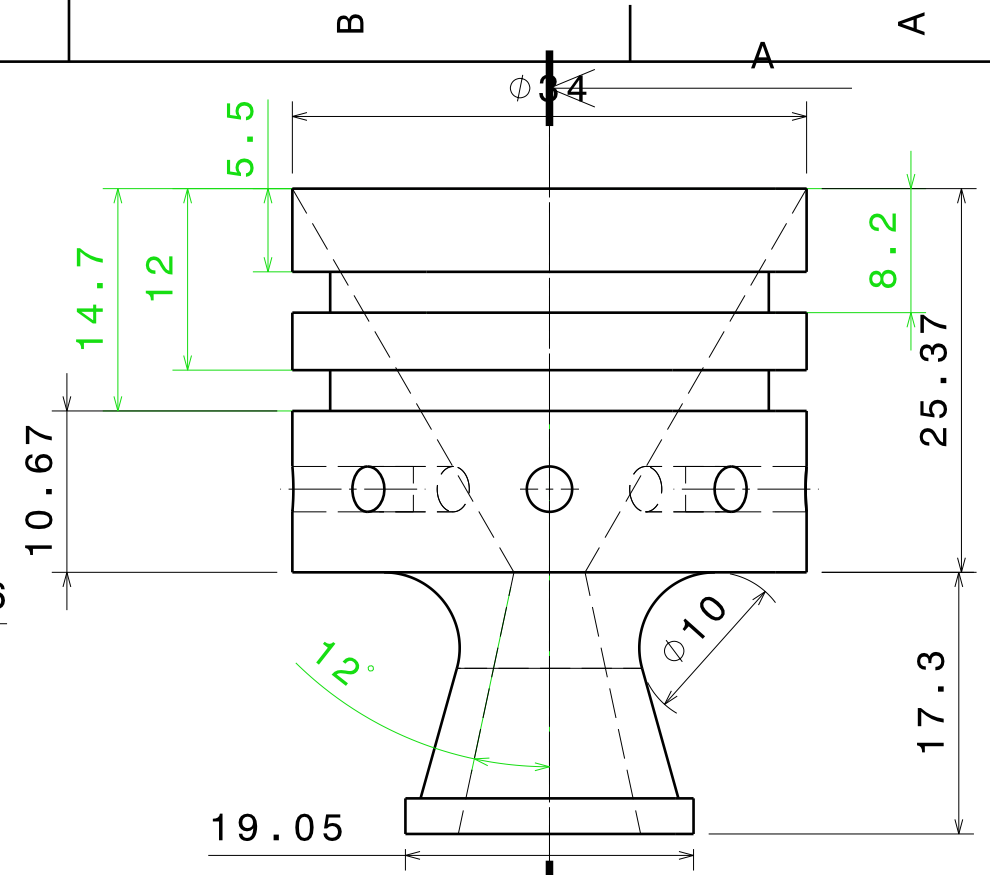
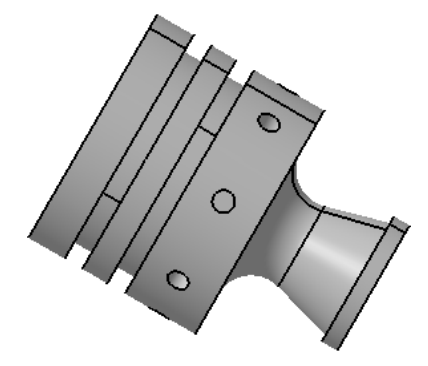


Vue de coupe de côté



Vue de côté A



Vue realiste de côté

DESIGNED BY: <b>Hugo B</b>		Tuèyre pour moteur à ergol solide conique	I	-
DATE: 12/06/2021			H	-
CHECKED BY: XXX		CATIA V5	G	-
DATE: XXX			F	-
SIZE <b>A4</b>		Tuyère HB-G82 Mk1	E	-
SCALE <b>2:1</b>	WEIGHT (kg) <b>0,01</b>		SHEET <b>2/3</b>	D
DRAWING NUMBER		This drawing is our property; it can't be reproduced or communicated without our written agreement.		C
				B
				A