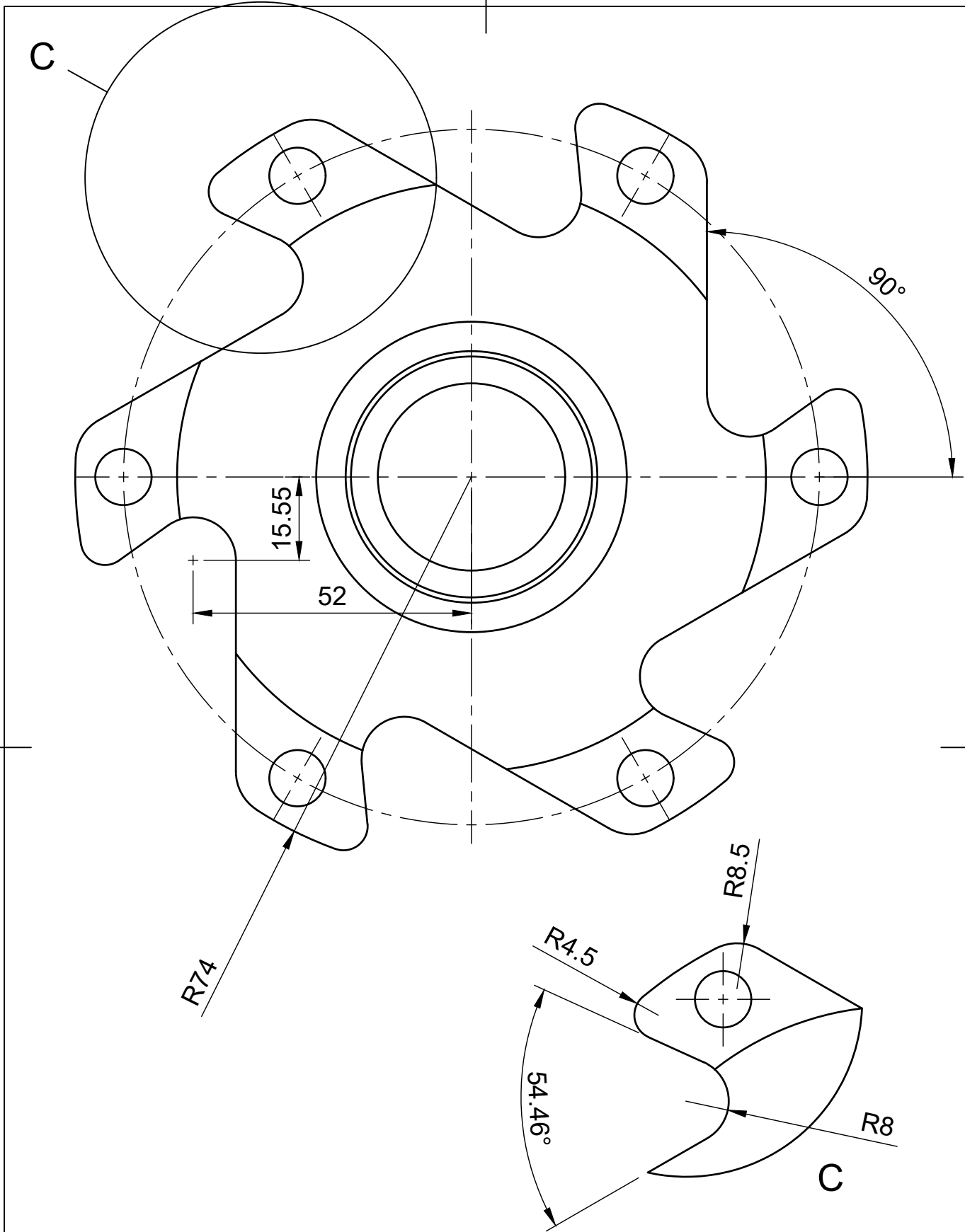


Tolérances générales ± 0.1

Matière : alu 2017

Dept.	Technical reference	Created by christophe mirc 11/05/2021	Approved by	
		Document type	Document status	
		Title support couronne plan usinage PH1	DWG No.	
		Rev. 1	Date of issue	Sheet 1/2



Dept.	Technical reference	Created by christophe mirc 11/05/2021	Approved by		
		Document type	Document status		
		Title support couronne plan usinage PH1	DWG No.		
		Rev. 1	Date of issue	Sheet 2/2	