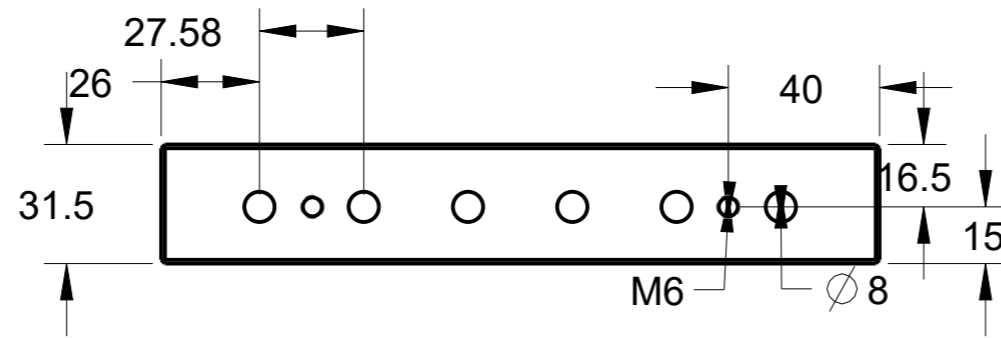
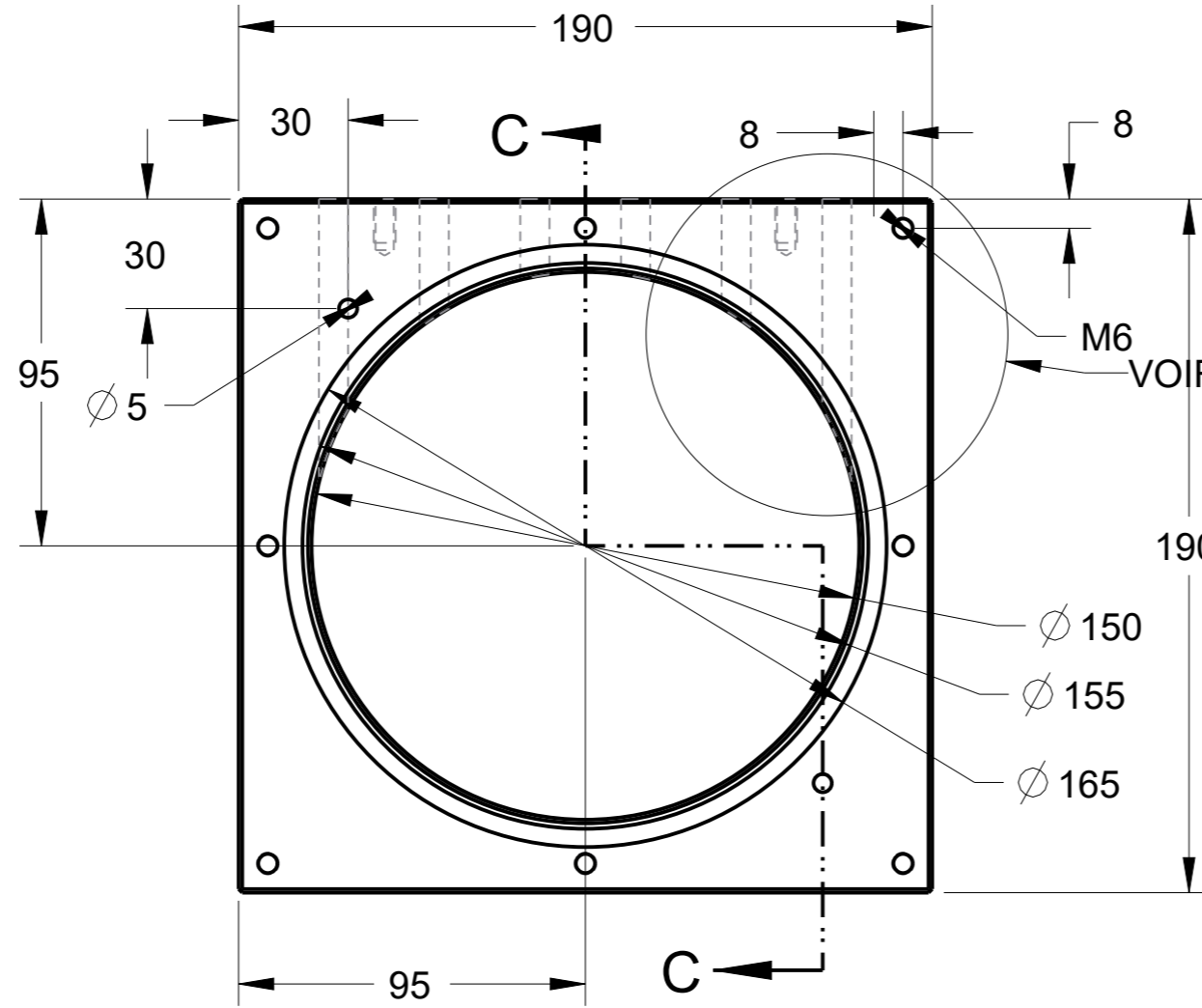
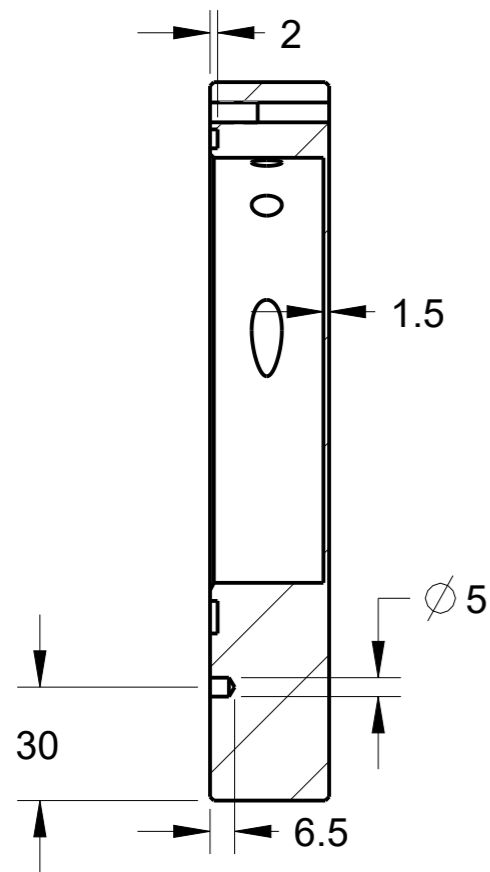


MODEL NAME
CORPS_CHAUD

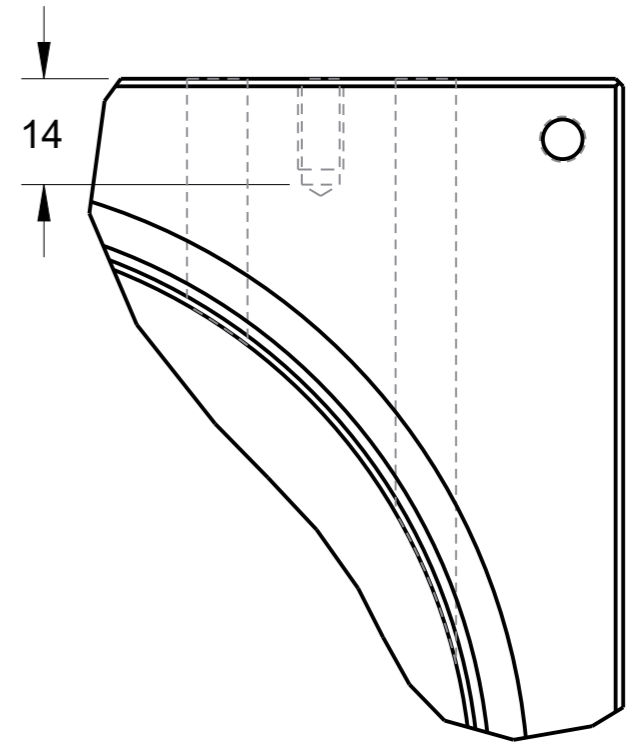
TITLE

COUPE C-C



VOIR DETAIL A

DETAIL A
ECHELLE 1:1



NOTA :

- Tout chanfrein a pour dimensions 1mmx1mm
- Perçage taraudé en M6

		DRAWN BY	DATE
		CHECKED BY	DATE
		APPROVED BY	DATE
THIS DOCUMENT IS SUPPLIED IN CONFIDENCE. NO REPRODUCTION OF THIS DOCUMENT IN PART OR IN WHOLE OR THEREON OF THE ITEMS SHOWN MAY BE MADE WITHOUT THE COPYRIGHT OWNERS WRITTEN PERMISSION		SCALE 1:2	SHEET 1 OF 1
UNLESS OTHERWISE SPECIFIED ALL DIMENSIONS ARE IN MILLIMETERS. TOLERANCES ARE +/- 0.1MM +/- 1°	TITLE		
	PROJECT	MODEL NAME CORPS_CHAUD	ISSUE
DO NOT SCALE			