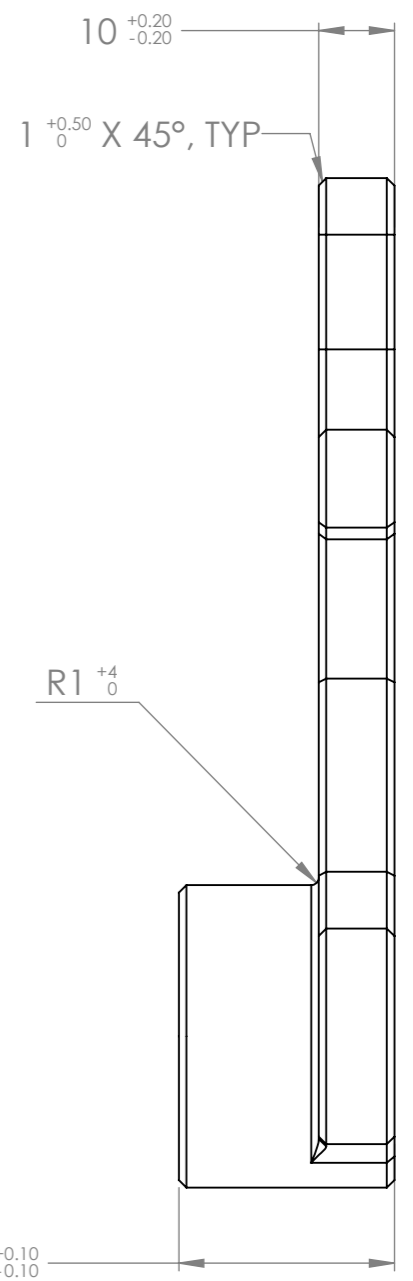


DRILL THRU AND TAP M8X1.25, 2 PLCS



CUT THRU, CHAMFER EDGES BOTH SIDES 1x45°, 3 PLCS

TITLE:		CARRIER, REAR CALIPER	
MATERIAL: AL 6061-T6		TREATMENT: CLEAR DECORATIVE ANODIZE	
SCALE:1:1			