

F

E

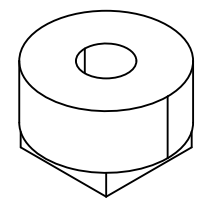
D

C

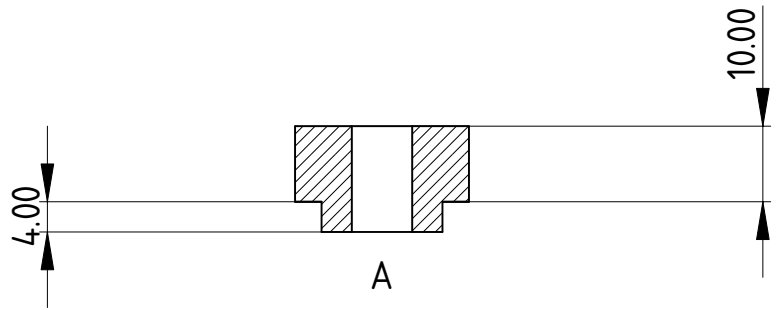
B

A

4

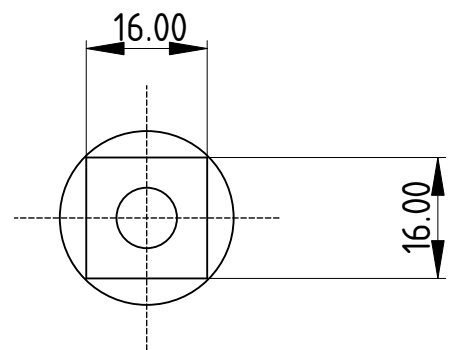


PERSPECTIVE



4

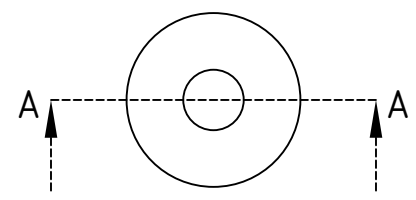
3



BOTTOM

3

2



TOP

2

1

DESIGNED BY: Designed by Name		Pièce n°1		G	—
DATE: 1/05/2021				F	—
SIZE A4				E	—
				D	—
SCALE 1:1	WEIGHT (kg) Weight	DRAWING NUMBER Drawing number	SHEET Sheet	C	—
This drawing is our property; it can't be reproduced or communicated without our written consent.				B	—
				A	—

1

F

E

D