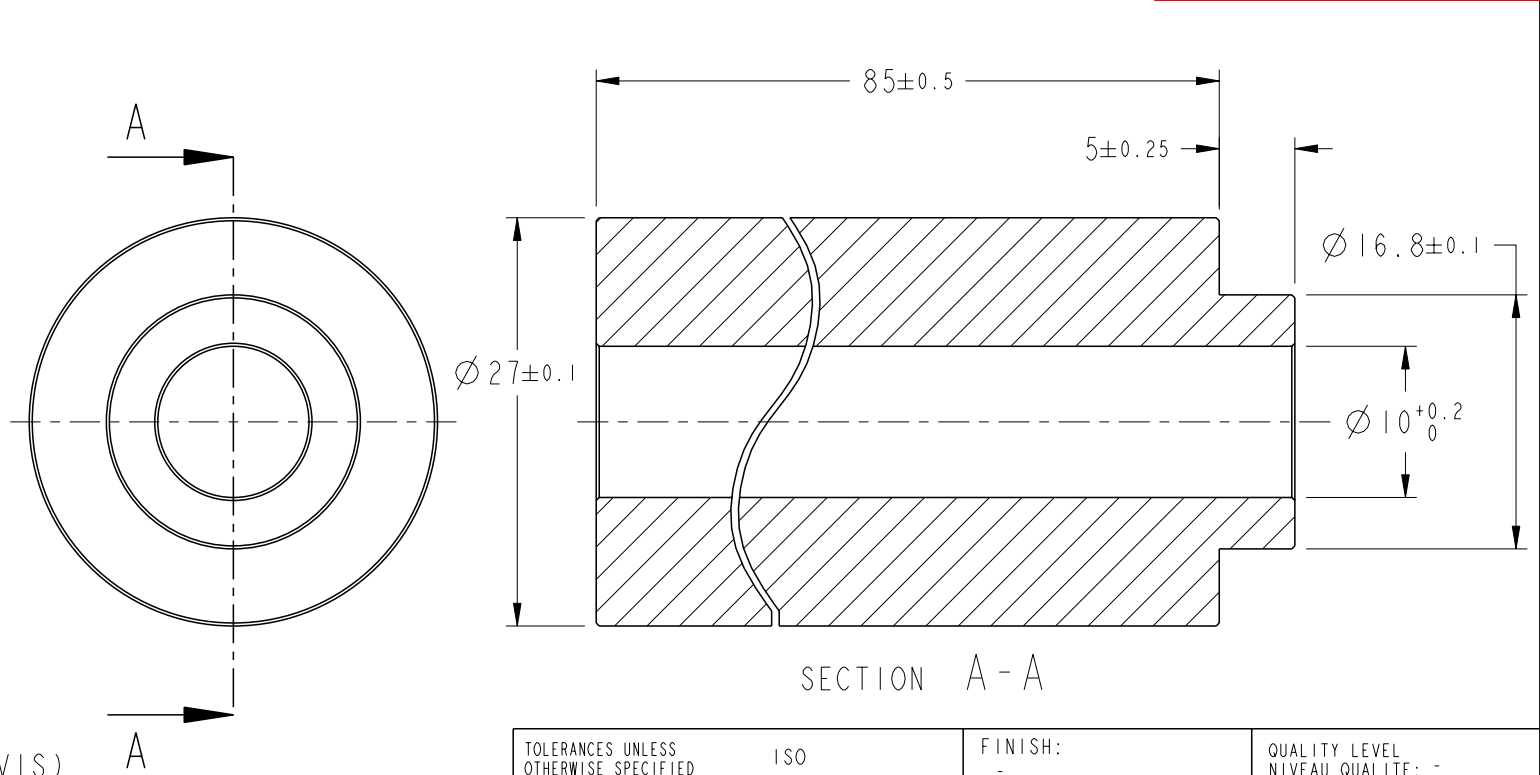
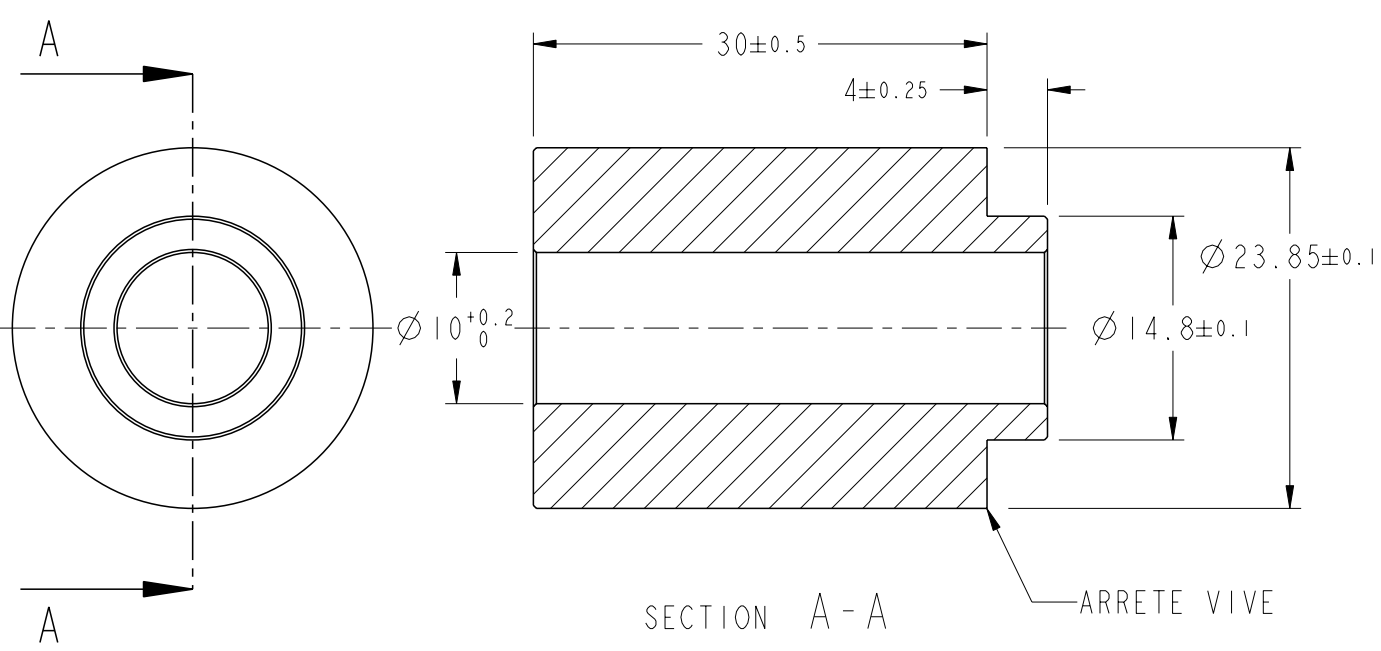


Toutes formes autorisées (Fond plat, pointe de forêt...)



- 1/ MATIERE : ALU 6082 T6 / AU4G OU EQUIVALENT (FAIRE PROPOSITION DANS LE DEVIS)
- 2/ QUANTITE : 1 PIECE DE CHAQUE MODELE
- 3/ TOUTES ARRETES ABBATUES SAUF INDICATION CONTRAIRE

WEIGHT/MASSE: 0g	PRODUCT CODE: -
DIMENSIONS: mm	TOLERANCES UNLESS OTHERWISE SPECIFIED (SUIV. NB. DE DECIMALES): 0 PLC/DEC: ±0 1 PLC/DEC: ±0 2 PLC/DEC: ±0 3 PLC/DEC: ±0 4 PLC/DEC: ±0
ANGLES± -	
SURFACE TEXTURE	√

TOLERANCES UNLESS OTHERWISE SPECIFIED TOLERANCES NON SPECIFIEES: 2768-m-L	ISO	FINISH: -	QUALITY LEVEL NIVEAU QUALITE: - (1=HIGH 4=LOW)
DWG/DESSINE -	26APR2021	MATERIAL/MATIERE -	HEAT TREAT/TRAIT. THERM. -
CHK/VERIFIE -			
APVD/APPROUVE -			
NAME / TITRE CALE SYNCR0 AR			
SCALE/ECHEL. 2:1	SIZE/FMT A3	DRAWING NO/No PLAN SYNCR0_AR	SHEET/FEUILLE OF DE I I
			REV A

LTR REV	REVISION RECORD MODIFICATIONS	DATE	DWN DESS.	APVD VER.

THIS INFORMATION IS CONFIDENTIAL AND PROPRIETARY TO TE CONNECTIVITY LTD. AND ITS WORLDWIDE SUBSIDIARIES AND AFFILIATES (TE). IT MAY NOT BE DISCLOSED TO ANYONE OTHER THAN TE PERSONNEL, WITHOUT AUTHORIZATION FROM TE (www.te.com).