

F

E

D

C

B

A

4

3

2

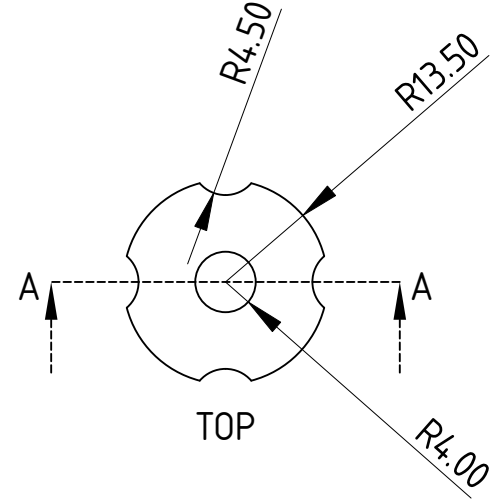
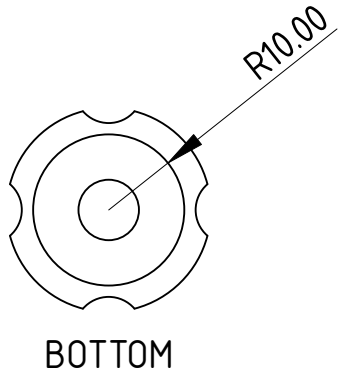
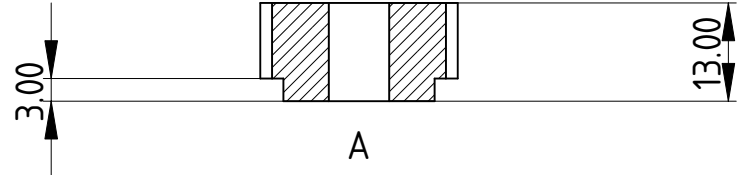
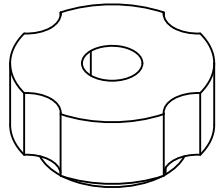
1

4

3

2

1



DESIGNED BY: Designed by Name		Pièce n°1, mise à jour 22/04/21		G	—
DATE: Date		toutes vues, en mm		F	—
SIZE A4				E	—
				D	—
SCALE N/A	WEIGHT (kg) Weight	DRAWING NUMBER Drawing number	SHEET Sheet	C	—
This drawing is our property; it can't be reproduced or communicated without our written consent.				B	—
				A	—

F

E

D