

F

E

D

C

B

A

4

4

3

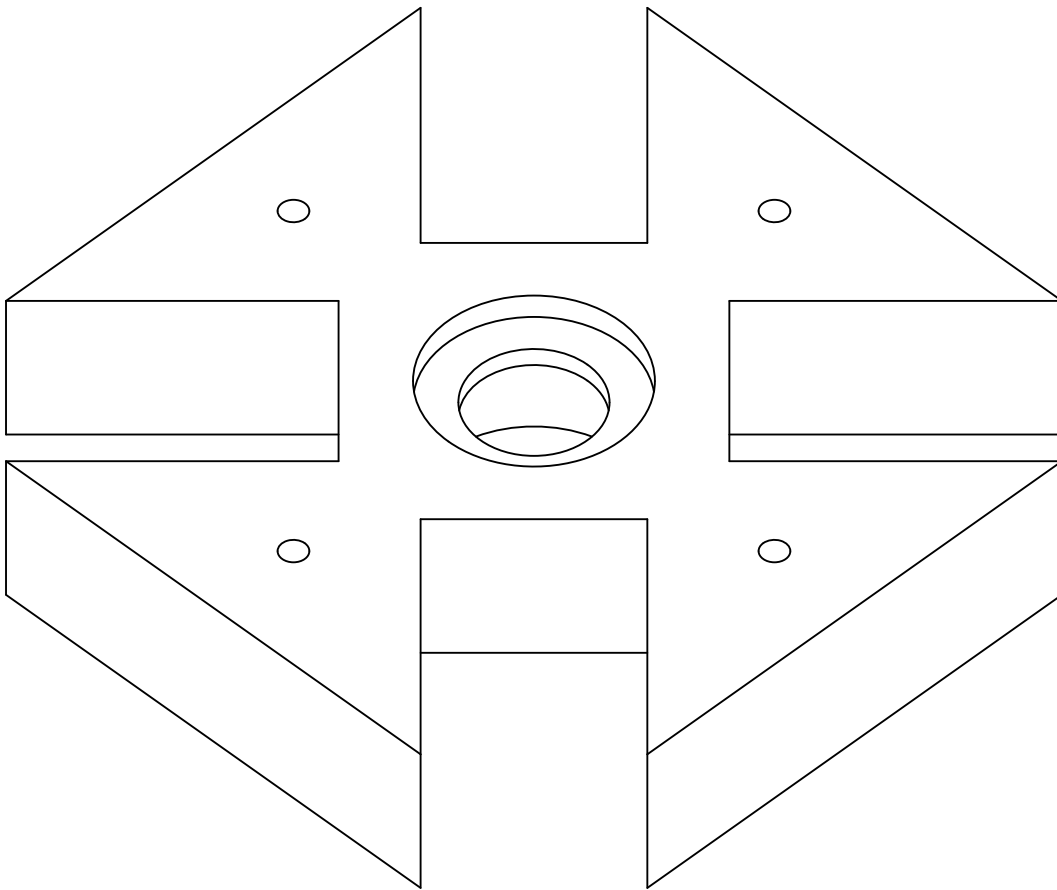
3

2

2

1

1



DESIGNED BY: <b>Designed by Name</b>		<b>Pièce n°2</b>		G	—
DATE: <b>Date</b>		<b>perspective</b>		F	—
SIZE <b>A4</b>				E	—
				D	—
SCALE <b>N/A</b>	WEIGHT (kg) <b>Weight</b>	DRAWING NUMBER <b>Drawing number</b>	SHEET <b>Sheet</b>	C	—
This drawing is our property; it can't be reproduced or communicated without our written consent.				B	—
				A	—



F

E

D

1

1