

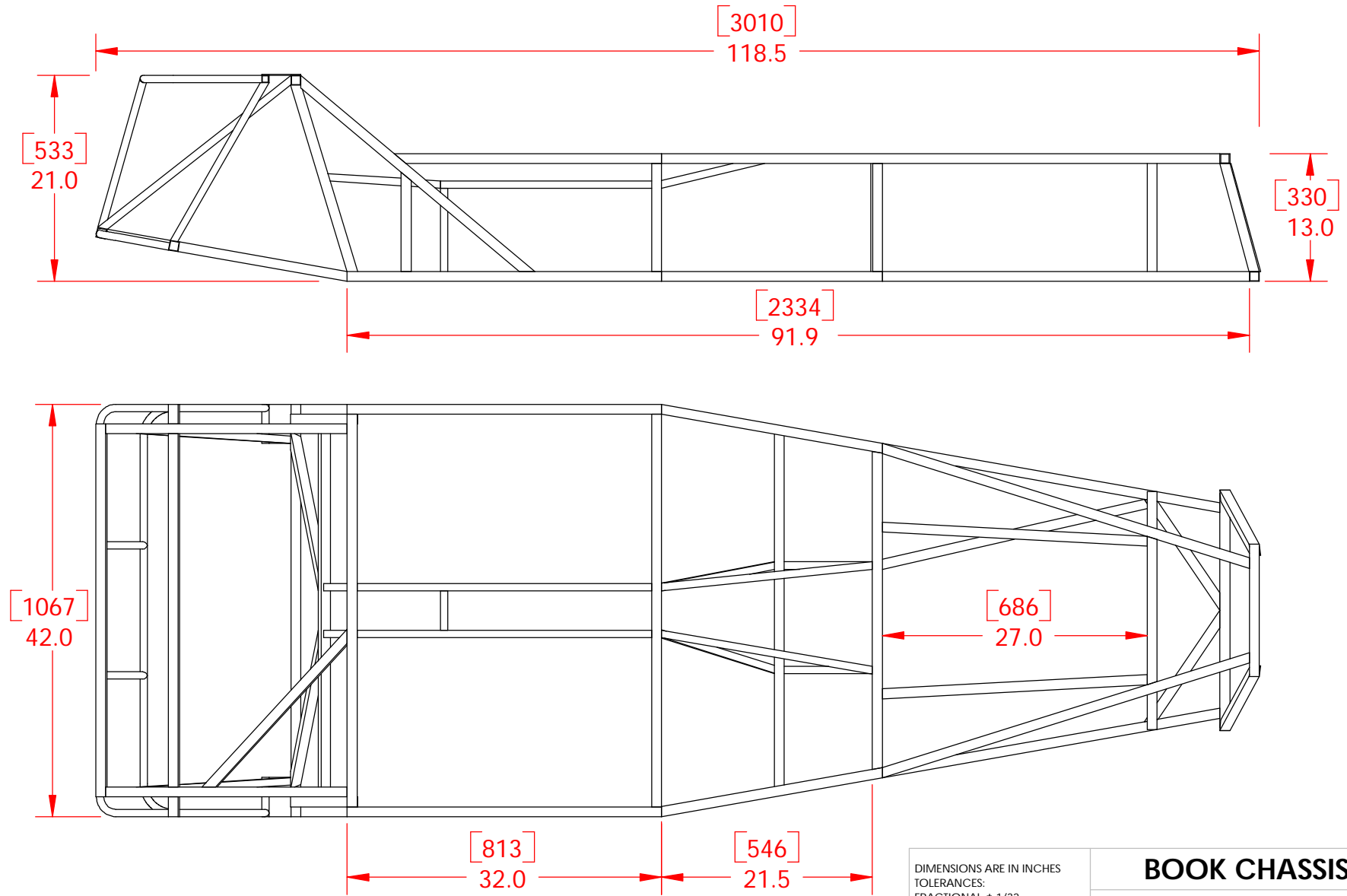
**FOR EDUCATIONAL USE ONLY**  
 THE INFORMATION CONTAINED IN THIS DRAWING IS NOT INTENDED FOR USE IN THE CONSTRUCTION OR MANUFACTURE OF PARTS. THE INFORMATION IS PROVIDED WITHOUT WARRANTY FOR EDUCATIONAL REFERENCE ONLY.

DIMENSIONS ARE IN INCHES  
 TOLERANCES:  
 FRACTIONAL  $\pm 1/32$   
 ANGULAR  $\pm 1^\circ$   
 TWO PLACE DECIMAL  $\pm .03$   
 THREE PLACE DECIMAL  $\pm .010$

MATERIAL

DO NOT SCALE DRAWING

<b>BOOK CHASSIS</b>			
<b>BASIC CHASSIS</b>			
SIZE <b>A</b>	DWG. NO. Chassis	REV.	
SCALE:1:1	WEIGHT:	SHEET 1 OF 2	



DIMENSIONS ARE IN INCHES  
 TOLERANCES:  
 FRACTIONAL  $\pm 1/32$   
 ANGULAR  $\pm 1^\circ$   
 TWO PLACE DECIMAL  $\pm .03$   
 THREE PLACE DECIMAL  $\pm .010$

## BOOK CHASSIS

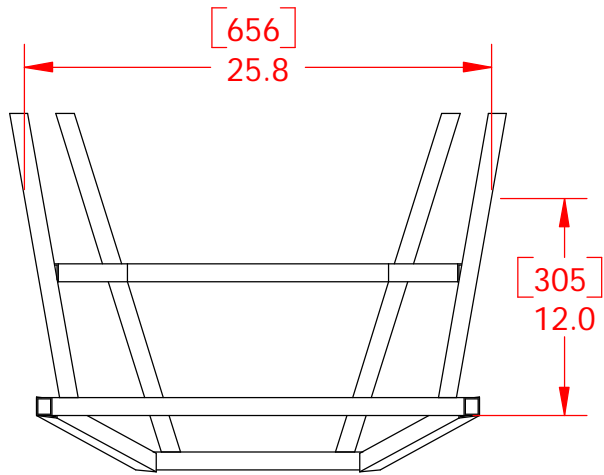
### CHASSIS PLAN

**FOR EDUCATIONAL USE ONLY**  
 THE INFORMATION CONTAINED IN THIS DRAWING IS NOT INTENDED FOR USE IN THE CONSTRUCTION OR MANUFACTURE OF PARTS. THE INFORMATION IS PROVIDED WITHOUT WARRANTY FOR EDUCATIONAL REFERENCE ONLY.

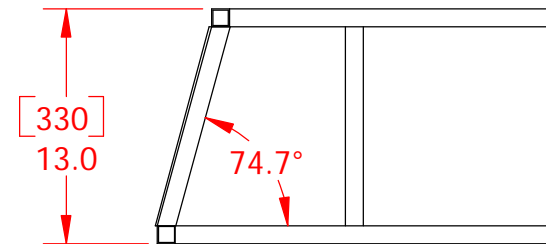
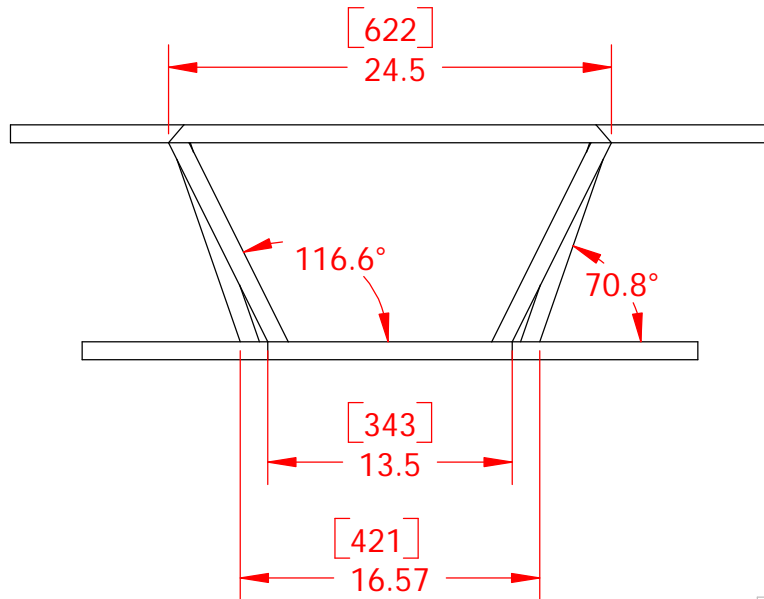
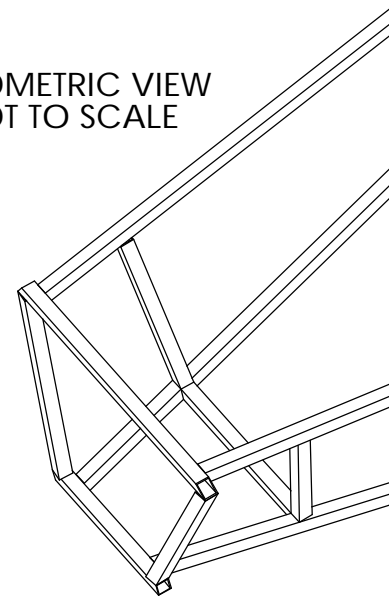
MATERIAL

DO NOT SCALE DRAWING

SIZE <b>A</b>	DWG. NO. Chassis	REV.
SCALE:1:1	WEIGHT:	SHEET 2 OF 2



ISOMETRIC VIEW  
NOT TO SCALE



**FOR EDUCATIONAL USE ONLY**  
THE INFORMATION CONTAINED IN THIS DRAWING IS NOT INTENDED FOR USE IN THE CONSTRUCTION OR MANUFACTURE OF PARTS. THE INFORMATION IS PROVIDED WITHOUT WARRANTY FOR EDUCATIONAL REFERENCE ONLY.

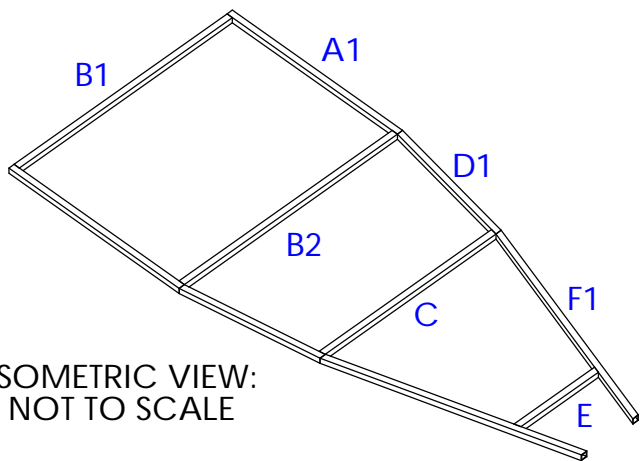
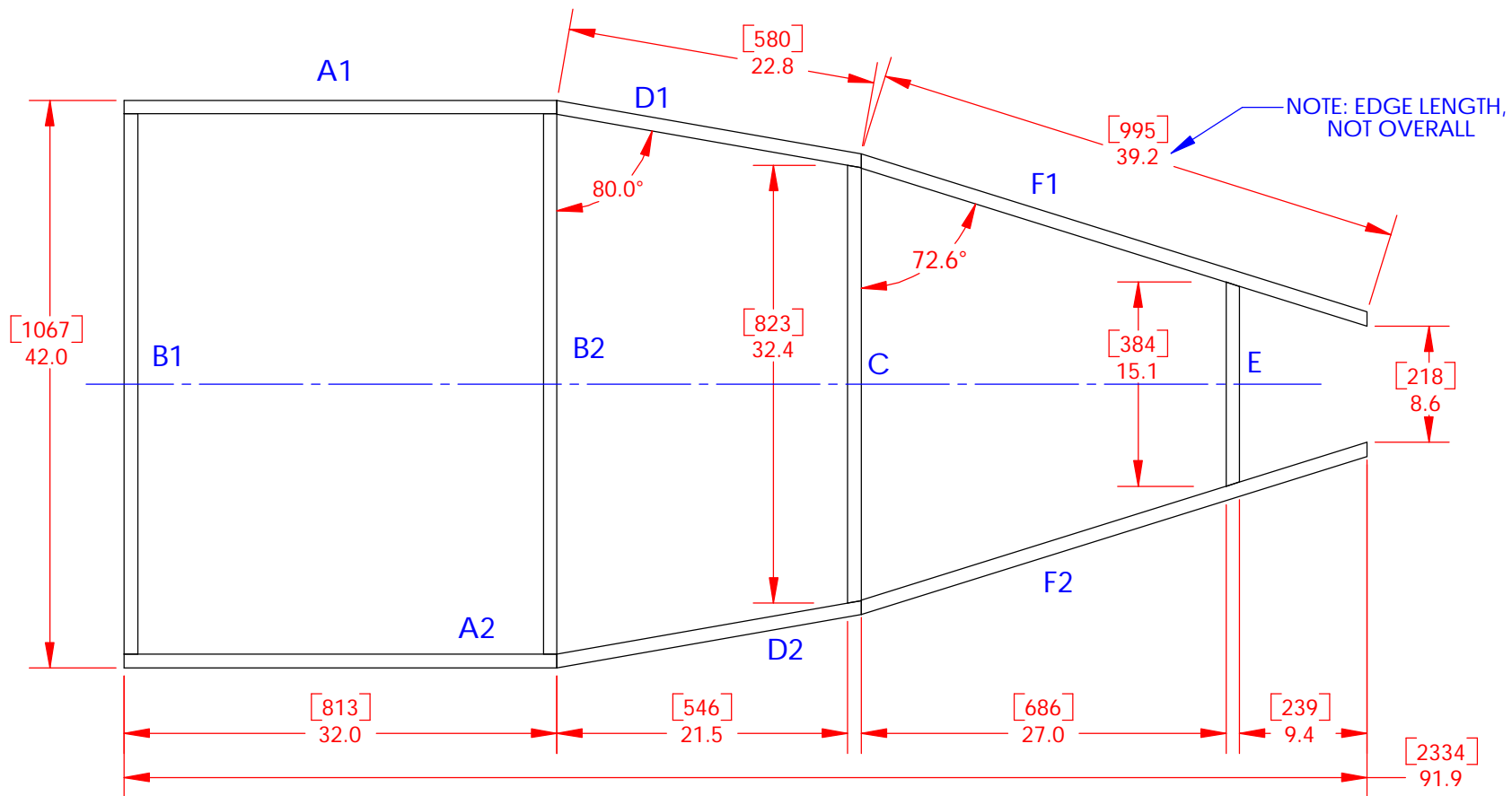
DIMENSIONS ARE IN INCHES  
TOLERANCES:  
FRACTIONAL ± 1/32  
ANGULAR ± 1°  
TWO PLACE DECIMAL ± .03  
THREE PLACE DECIMAL ± .010

MATERIAL  
DO NOT SCALE DRAWING

**BOOK CHASSIS**

**FRONT END  
DETAIL**

SIZE <b>A</b>	DWG. NO. Chassis	REV.
SCALE:1:10	WEIGHT:	SHEET 1 OF 1

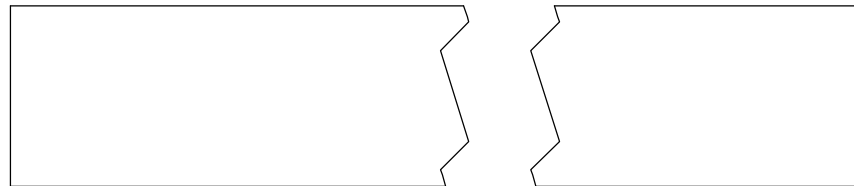
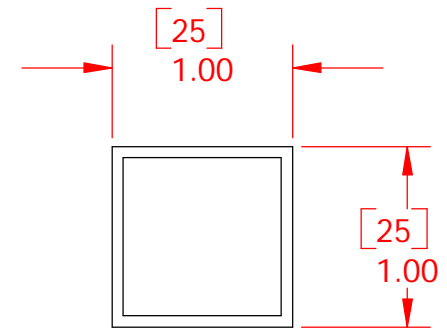
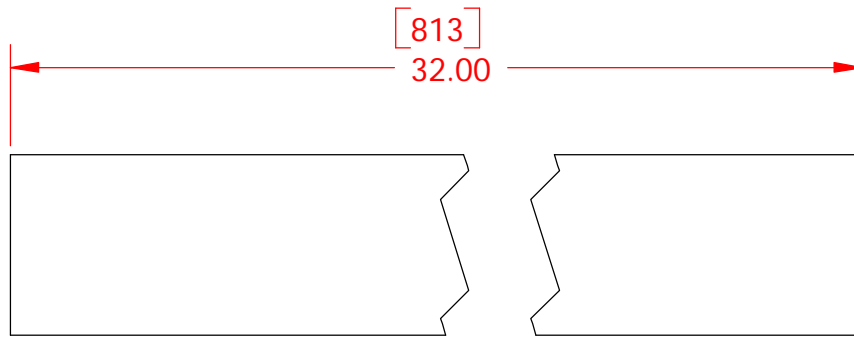


**FOR EDUCATIONAL USE ONLY**

THE INFORMATION CONTAINED IN THIS DRAWING IS NOT INTENDED FOR USE IN THE CONSTRUCTION OR MANUFACTURE OF PARTS. THE INFORMATION IS PROVIDED WITHOUT WARRANTY FOR EDUCATIONAL REFERENCE ONLY.

DIMENSIONS ARE IN INCHES	
TOLERANCES:	
FRACTIONAL ± 1/32	
ANGULAR ± 1°	
TWO PLACE DECIMAL ± .03	
THREE PLACE DECIMAL ± .010	
MATERIAL	
STEEL - RHS	
1"x1", 16swg	
DO NOT SCALE DRAWING	

<b>BOOK CHASSIS</b>		
<b>BOTTOM RAIL LAYOUT</b>		
SIZE	DWG. NO.	REV.
A	bookFrame	
SCALE:1:12	WEIGHT:	SHEET 1 OF 1



DIMENSIONS ARE IN INCHES  
 TOLERANCES:  
 FRACTIONAL  $\pm 1/32$   
 ANGULAR  $\pm 1^\circ$   
 TWO PLACE DECIMAL  $\pm .03$   
 THREE PLACE DECIMAL  $\pm .010$

## BOOK CHASSIS

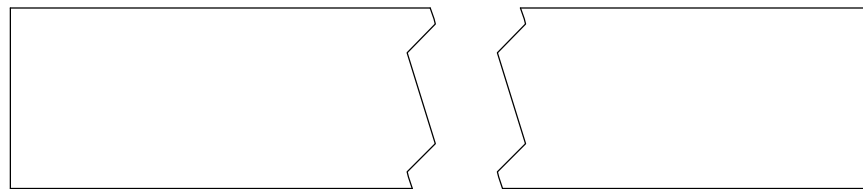
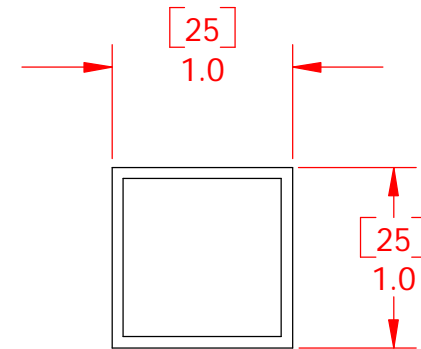
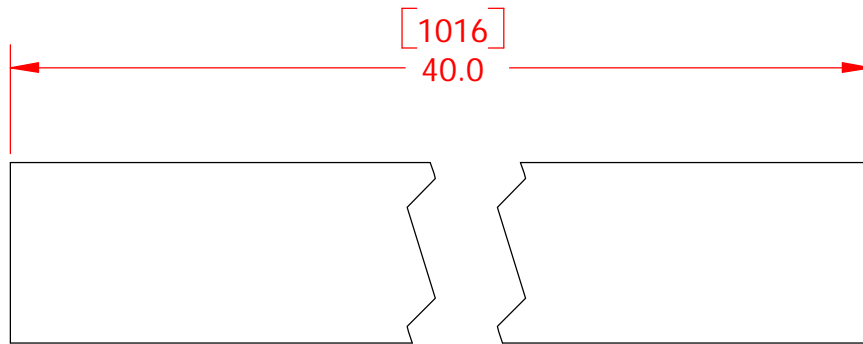
### COCKPIT BOTTOM SIDE RAIL (A1 & A2)

**FOR EDUCATIONAL USE ONLY**  
 THE INFORMATION CONTAINED IN THIS  
 DRAWING IS NOT INTENDED FOR USE IN  
 THE CONSTRUCTION OR MANUFACTURE  
 OF PARTS. THE INFORMATION IS PROVIDED  
 WITHOUT WARRANTY FOR EDUCATIONAL  
 REFERENCE ONLY.

MATERIAL  
**STEEL - RHS  
 1"x1", 16swg**

DO NOT SCALE DRAWING

SIZE <b>A</b>	DWG. NO. <b>A</b>	REV.
SCALE:1:1	WEIGHT:	SHEET 1 OF 1

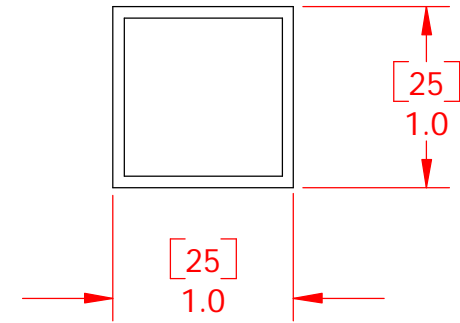
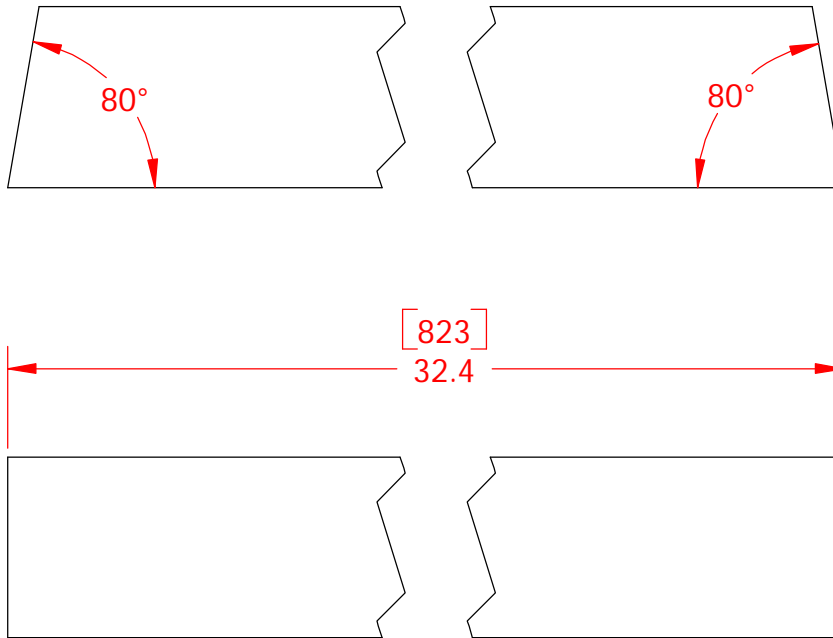


DIMENSIONS ARE IN INCHES  
 TOLERANCES:  
 FRACTIONAL  $\pm 1/32$   
 ANGULAR  $\pm 1^\circ$   
 TWO PLACE DECIMAL  $\pm .03$   
 THREE PLACE DECIMAL  $\pm .010$

**FOR EDUCATIONAL USE ONLY**  
 THE INFORMATION CONTAINED IN THIS DRAWING IS NOT INTENDED FOR USE IN THE CONSTRUCTION OR MANUFACTURE OF PARTS. THE INFORMATION IS PROVIDED WITHOUT WARRANTY FOR EDUCATIONAL REFERENCE ONLY.

MATERIAL  
**STEEL - RHS**  
**1"x1", 16swg**  
 DO NOT SCALE DRAWING

<b>BOOK CHASSIS</b>		
<b>COCKPIT BOTTOM CROSS RAIL (B1 &amp; B2)</b>		
SIZE <b>A</b>	DWG. NO. <b>B</b>	REV.
SCALE:1:1	WEIGHT:	SHEET 1 OF 1

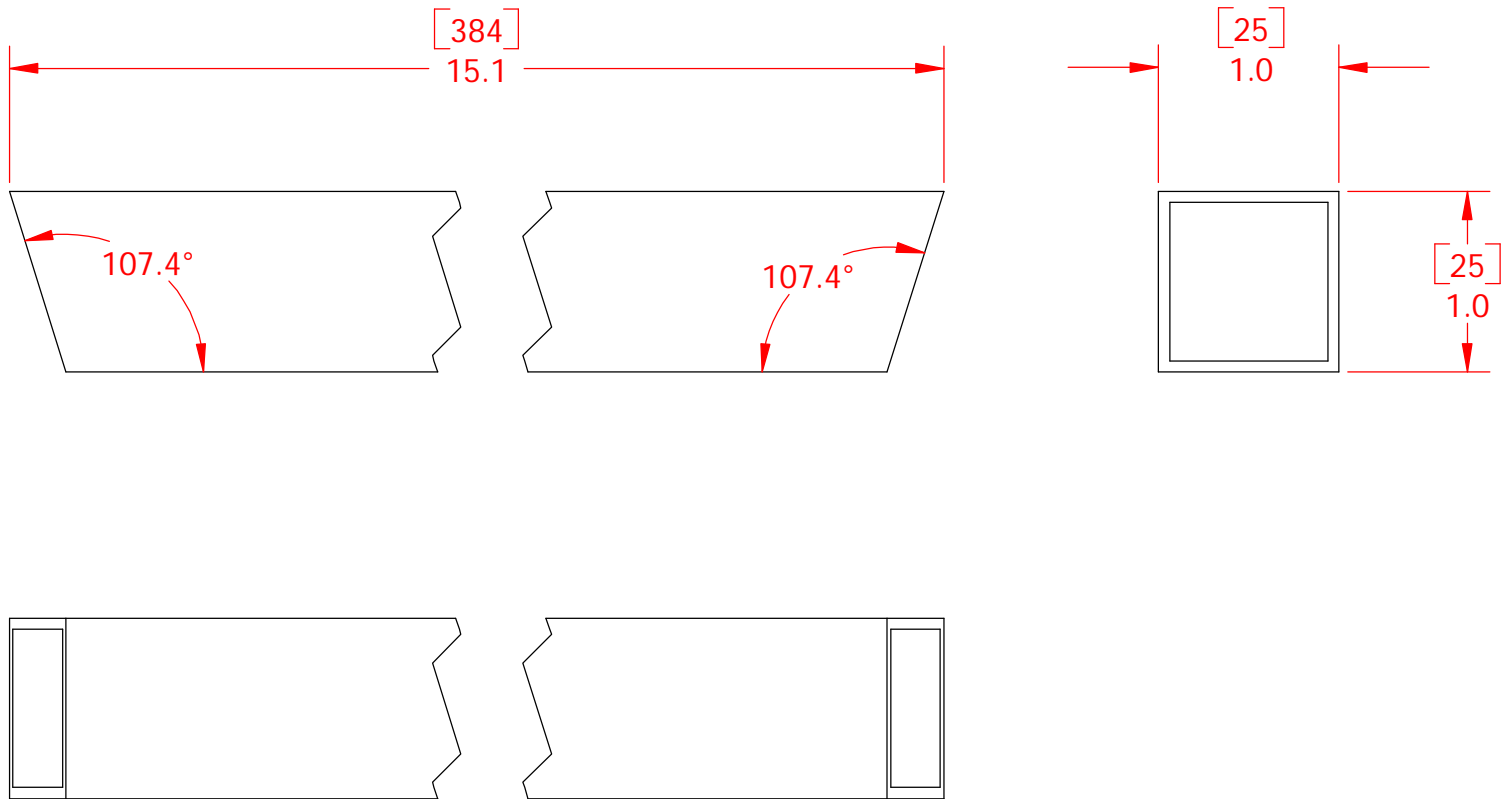


DIMENSIONS ARE IN INCHES TOLERANCES: FRACTIONAL $\pm 1/32$ ANGULAR $\pm 1^\circ$ TWO PLACE DECIMAL $\pm .03$ THREE PLACE DECIMAL $\pm .010$		<b>BOOK CHASSIS</b>	
<b>FRONT BULKHEAD          BOTTOM CROSS          RAIL (C)</b>		SIZE <b>A</b>	DWG. NO. <b>C</b>
MATERIAL <b>STEEL - RHS          1"x1", 16swg</b>		SCALE:1:1	WEIGHT:
DO NOT SCALE DRAWING		SHEET 1 OF 1	

**FOR EDUCATIONAL USE ONLY**

THE INFORMATION CONTAINED IN THIS DRAWING IS NOT INTENDED FOR USE IN THE CONSTRUCTION OR MANUFACTURE OF PARTS. THE INFORMATION IS PROVIDED WITHOUT WARRANTY FOR EDUCATIONAL REFERENCE ONLY.

REV.



DIMENSIONS ARE IN INCHES  
 TOLERANCES:  
 FRACTIONAL  $\pm 1/32$   
 ANGULAR  $\pm 1^\circ$   
 TWO PLACE DECIMAL  $\pm .03$   
 THREE PLACE DECIMAL  $\pm .010$

## BOOK CHASSIS

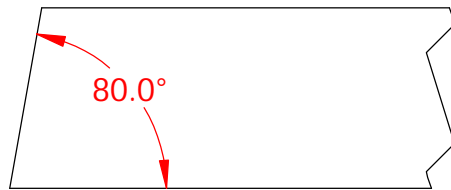
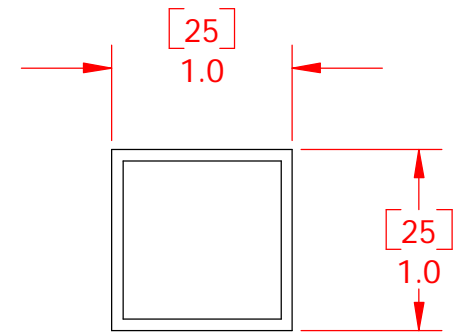
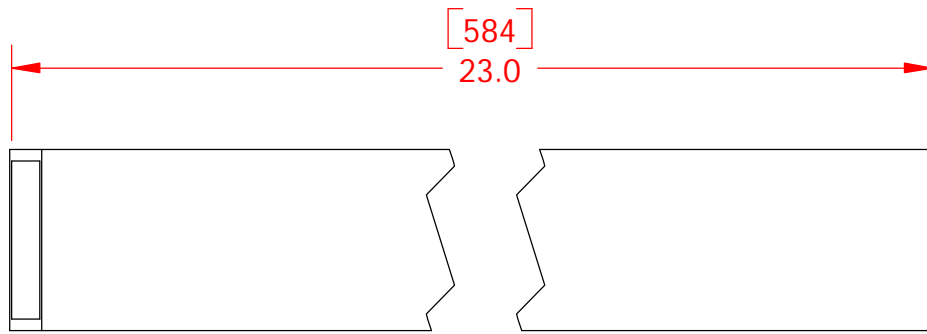
### FRONT ENGINE BAY BOTTOM CROSS RAIL (E)

**FOR EDUCATIONAL USE ONLY**  
 THE INFORMATION CONTAINED IN THIS  
 DRAWING IS NOT INTENDED FOR USE IN  
 THE CONSTRUCTION OR MANUFACTURE  
 OF PARTS. THE INFORMATION IS PROVIDED  
 WITHOUT WARRANTY FOR EDUCATIONAL  
 REFERENCE ONLY.

MATERIAL  
**STEEL - RHS  
 1"x1", 16swg**  
 DO NOT SCALE DRAWING

SIZE <b>A</b>	DWG. NO. <b>E</b>	REV.
SCALE:1:1	WEIGHT:	SHEET 1 OF 1





DIMENSIONS ARE IN INCHES  
 TOLERANCES:  
 FRACTIONAL  $\pm 1/32$   
 ANGULAR  $\pm 1^\circ$   
 TWO PLACE DECIMAL  $\pm .03$   
 THREE PLACE DECIMAL  $\pm .010$

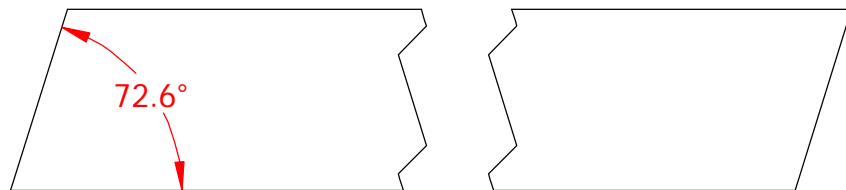
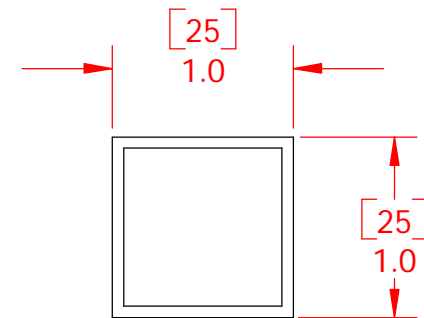
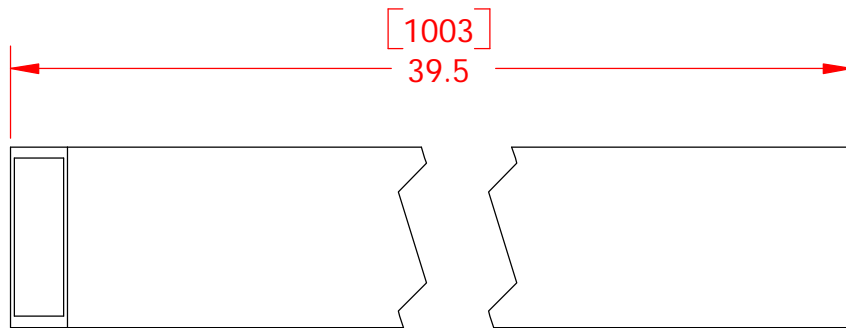
### BOOK CHASSIS

### COCKPIT BOTTOM FRONT SIDE RAIL (D1 & D2)

**FOR EDUCATIONAL USE ONLY**  
 THE INFORMATION CONTAINED IN THIS  
 DRAWING IS NOT INTENDED FOR USE IN  
 THE CONSTRUCTION OR MANUFACTURE  
 OF PARTS. THE INFORMATION IS PROVIDED  
 WITHOUT WARRANTY FOR EDUCATIONAL  
 REFERENCE ONLY.

MATERIAL  
**STEEL - RHS  
 1"x1", 16swg**  
 DO NOT SCALE DRAWING

SIZE <b>A</b>	DWG. NO. <b>D</b>	REV.
SCALE:1:1	WEIGHT:	SHEET 1 OF 1



DIMENSIONS ARE IN INCHES  
 TOLERANCES:  
 FRACTIONAL  $\pm 1/32$   
 ANGULAR  $\pm 1^\circ$   
 TWO PLACE DECIMAL  $\pm .03$   
 THREE PLACE DECIMAL  $\pm .010$

## BOOK CHASSIS

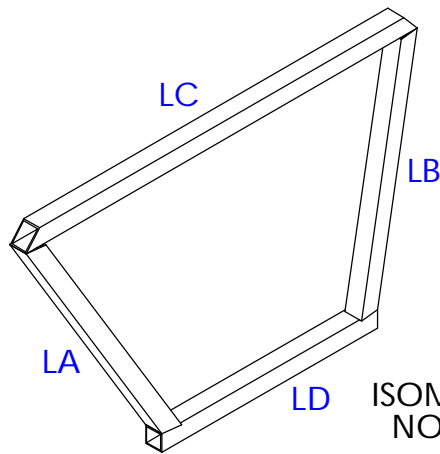
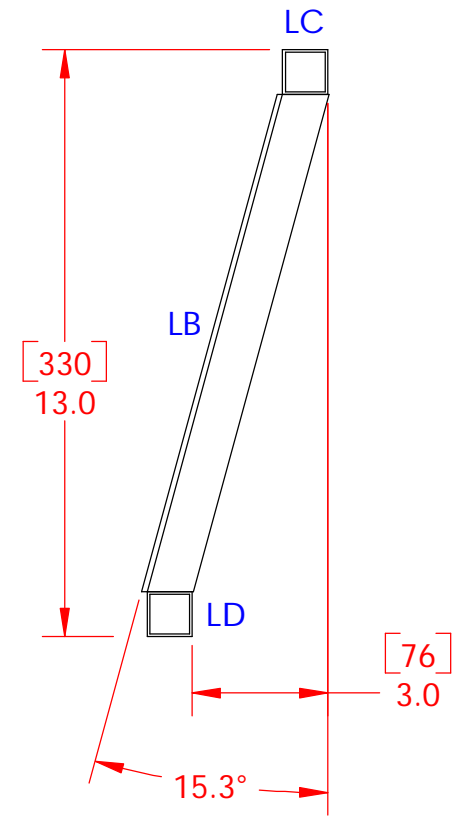
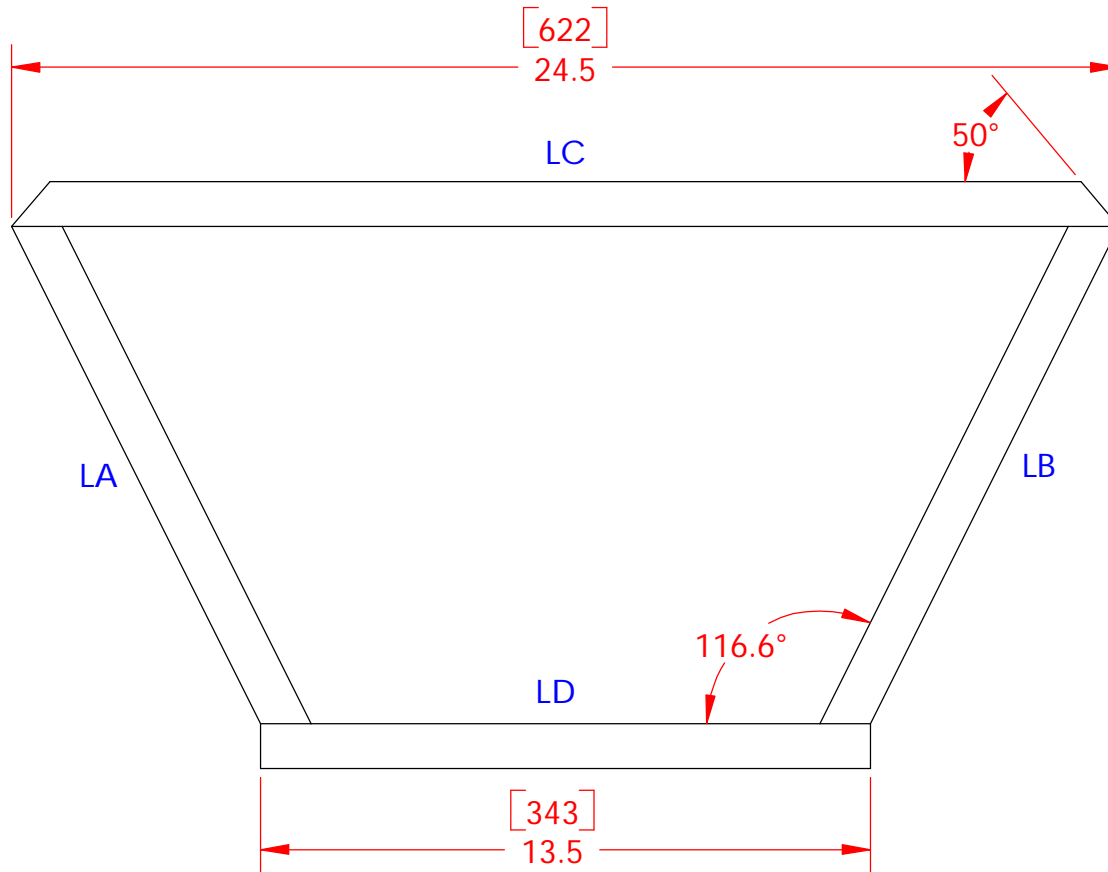
### ENGINE BAY BOTTOM SIDE RAIL (F1 & F2)

**FOR EDUCATIONAL USE ONLY**  
 THE INFORMATION CONTAINED IN THIS  
 DRAWING IS NOT INTENDED FOR USE IN  
 THE CONSTRUCTION OR MANUFACTURE  
 OF PARTS. THE INFORMATION IS PROVIDED  
 WITHOUT WARRANTY FOR EDUCATIONAL  
 REFERENCE ONLY.

MATERIAL  
**STEEL - RHS  
 1"x1", 16swg**

DO NOT SCALE DRAWING

SIZE <b>A</b>	DWG. NO. <b>F</b>	REV.
SCALE:1:1	WEIGHT:	SHEET 1 OF 1



ISOMETRIC VIEW:  
NOT TO SCALE

**FOR EDUCATIONAL USE ONLY**  
THE INFORMATION CONTAINED IN THIS DRAWING IS NOT INTENDED FOR USE IN THE CONSTRUCTION OR MANUFACTURE OF PARTS. THE INFORMATION IS PROVIDED WITHOUT WARRANTY FOR EDUCATIONAL REFERENCE ONLY.

DIMENSIONS ARE IN INCHES  
TOLERANCES:  
FRACTIONAL  $\pm 1/32$   
ANGULAR  $\pm 1^\circ$   
TWO PLACE DECIMAL  $\pm .03$   
THREE PLACE DECIMAL  $\pm .010$

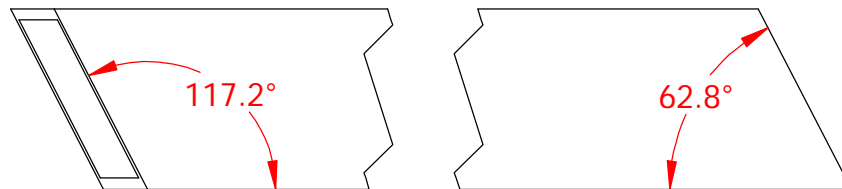
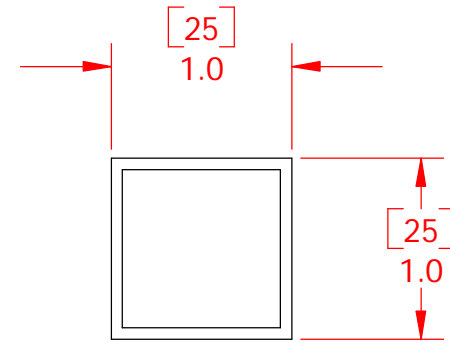
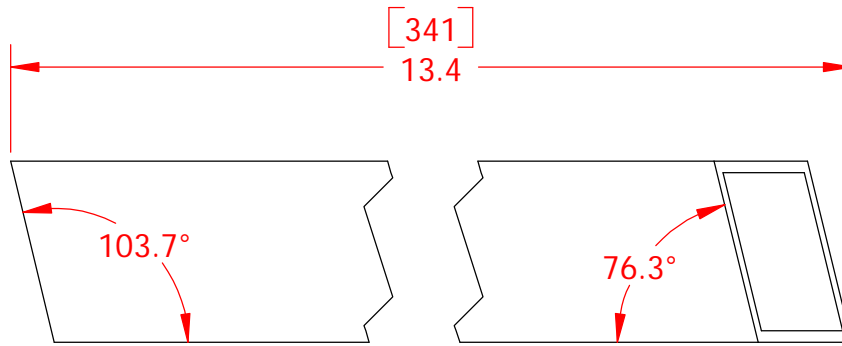
MATERIAL  
STEEL - RHS  
1"x1", 16swg

DO NOT SCALE DRAWING

## BOOK CHASSIS

### FRONT END ASSEMBLY

SIZE <b>A</b>	DWG. NO. frontEndAssembly	REV.
SCALE:1:4	WEIGHT:	SHEET 1 OF 1



DIMENSIONS ARE IN INCHES  
 TOLERANCES:  
 FRACTIONAL  $\pm 1/32$   
 ANGULAR  $\pm 1^\circ$   
 TWO PLACE DECIMAL  $\pm .03$   
 THREE PLACE DECIMAL  $\pm .010$

## BOOK CHASSIS

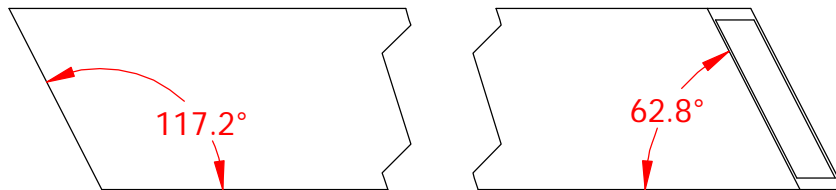
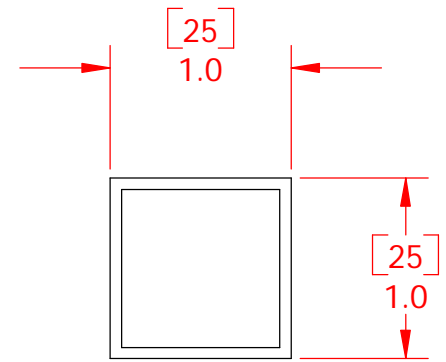
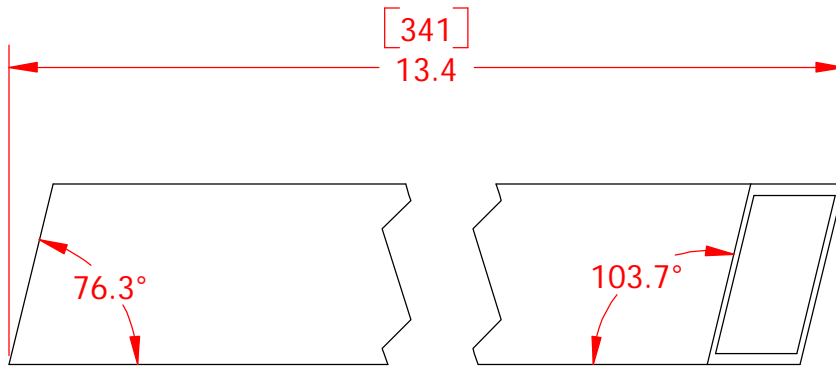
### FRONT END LEFT SIDE MEMBER (LA)

**FOR EDUCATIONAL USE ONLY**  
 THE INFORMATION CONTAINED IN THIS  
 DRAWING IS NOT INTENDED FOR USE IN  
 THE CONSTRUCTION OR MANUFACTURE  
 OF PARTS. THE INFORMATION IS PROVIDED  
 WITHOUT WARRANTY FOR EDUCATIONAL  
 REFERENCE ONLY.

MATERIAL  
**STEEL - RHS  
 1"x1", 16swg**

DO NOT SCALE DRAWING

SIZE <b>A</b>	DWG. NO. <b>LA</b>	REV.
SCALE:1:1	WEIGHT:	SHEET 1 OF 1



DIMENSIONS ARE IN INCHES  
 TOLERANCES:  
 FRACTIONAL  $\pm 1/32$   
 ANGULAR  $\pm 1^\circ$   
 TWO PLACE DECIMAL  $\pm .03$   
 THREE PLACE DECIMAL  $\pm .010$

## BOOK CHASSIS

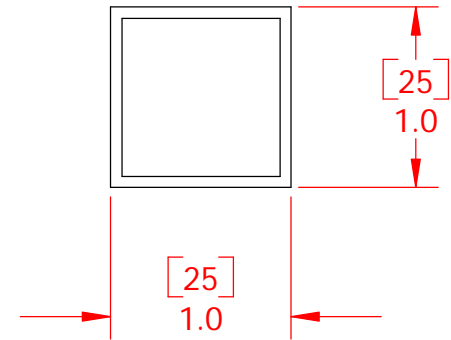
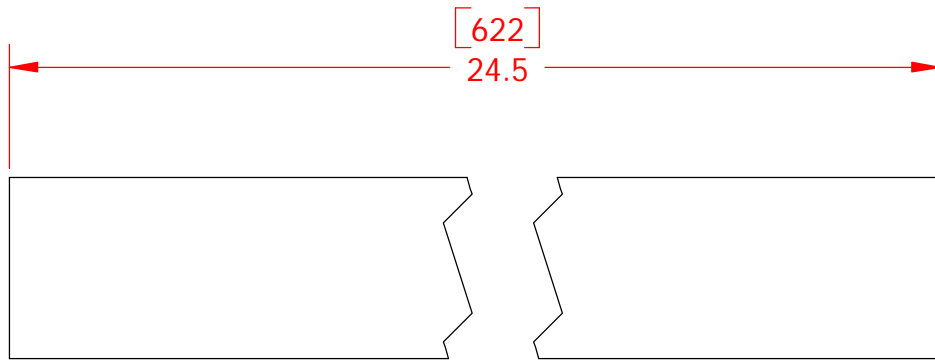
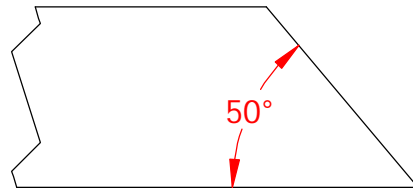
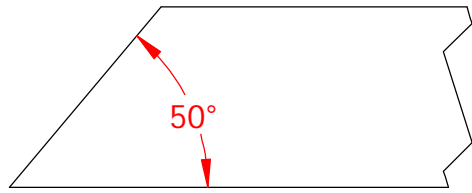
### FRONT END RIGHT SIDE MEMBER (LB)

**FOR EDUCATIONAL USE ONLY**  
 THE INFORMATION CONTAINED IN THIS  
 DRAWING IS NOT INTENDED FOR USE IN  
 THE CONSTRUCTION OR MANUFACTURE  
 OF PARTS. THE INFORMATION IS PROVIDED  
 WITHOUT WARRANTY FOR EDUCATIONAL  
 REFERENCE ONLY.

MATERIAL  
**STEEL - RHS  
 1"x1", 16swg**

DO NOT SCALE DRAWING

SIZE <b>A</b>	DWG. NO. <b>LB</b>	REV.
SCALE:1:1	WEIGHT:	SHEET 1 OF 1



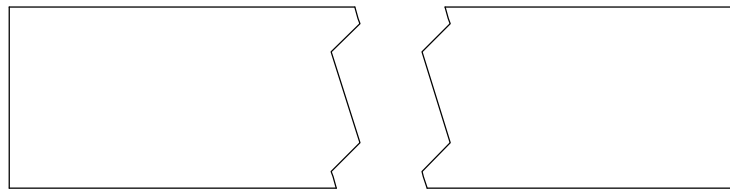
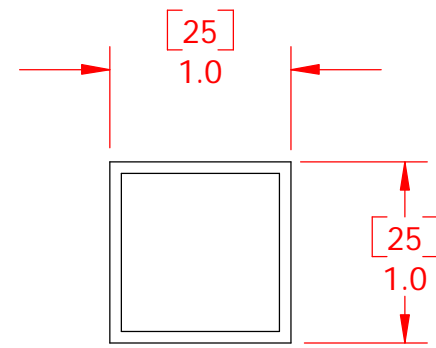
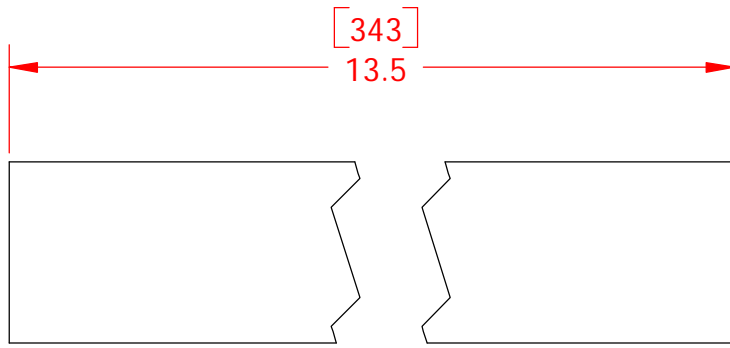
DIMENSIONS ARE IN INCHES  
 TOLERANCES:  
 FRACTIONAL  $\pm 1/32$   
 ANGULAR  $\pm 1^\circ$   
 TWO PLACE DECIMAL  $\pm .03$   
 THREE PLACE DECIMAL  $\pm .010$

**FOR EDUCATIONAL USE ONLY**  
 THE INFORMATION CONTAINED IN THIS DRAWING IS NOT INTENDED FOR USE IN THE CONSTRUCTION OR MANUFACTURE OF PARTS. THE INFORMATION IS PROVIDED WITHOUT WARRANTY FOR EDUCATIONAL REFERENCE ONLY.

MATERIAL  
**STEEL - RHS**  
**1"x1", 16swg**  
 DO NOT SCALE DRAWING

**BOOK CHASSIS**  
**FRONT END**  
**TOP CROSS RAIL**  
**(LC)**

SIZE <b>A</b>	DWG. NO. <b>LC</b>	REV.
SCALE:1:1	WEIGHT:	SHEET 1 OF 1



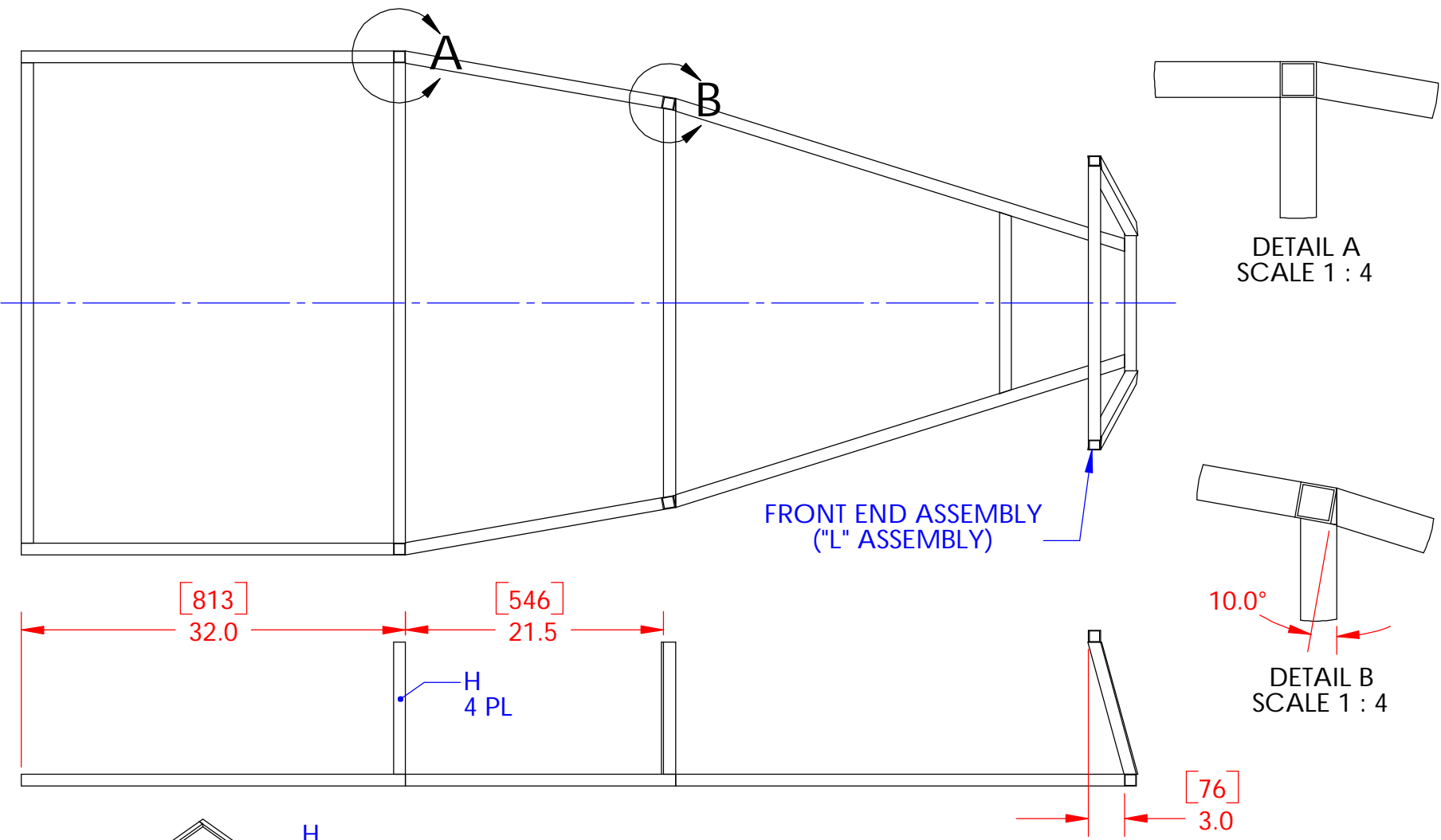
**FOR EDUCATIONAL USE ONLY**  
 THE INFORMATION CONTAINED IN THIS DRAWING IS NOT INTENDED FOR USE IN THE CONSTRUCTION OR MANUFACTURE OF PARTS. THE INFORMATION IS PROVIDED WITHOUT WARRANTY FOR EDUCATIONAL REFERENCE ONLY.

DIMENSIONS ARE IN INCHES  
 TOLERANCES:  
 FRACTIONAL ± 1/32  
 ANGULAR ± 1°  
 TWO PLACE DECIMAL ± .03  
 THREE PLACE DECIMAL ± .010

MATERIAL  
**STEEL - RHS**  
**1"x1", 16swg**

DO NOT SCALE DRAWING

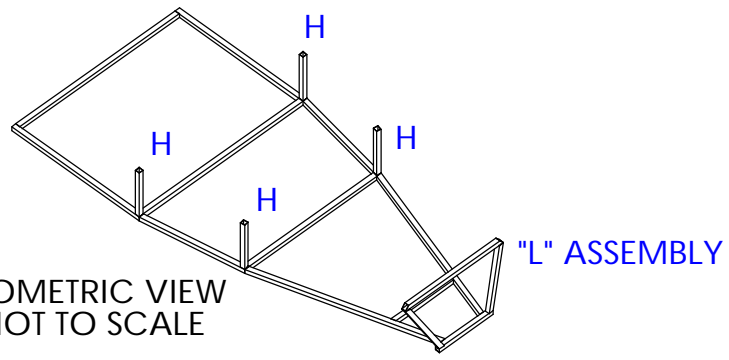
<b>BOOK CHASSIS</b>		
<b>FRONT END BOTTOM CROSS RAIL (LD)</b>		
SIZE <b>A</b>	DWG. NO. <b>LD</b>	REV.
SCALE:1:1	WEIGHT:	SHEET 1 OF 1



DETAIL A  
SCALE 1 : 4

DETAIL B  
SCALE 1 : 4

FRONT END ASSEMBLY  
("L" ASSEMBLY)



ISOMETRIC VIEW  
NOT TO SCALE

DIMENSIONS ARE IN INCHES  
TOLERANCES:  
FRACTIONAL  $\pm 1/32$   
ANGULAR  $\pm 1^\circ$   
TWO PLACE DECIMAL  $\pm .03$   
THREE PLACE DECIMAL  $\pm .010$

MATERIAL  
STEEL - RHS  
1"x1", 16swg

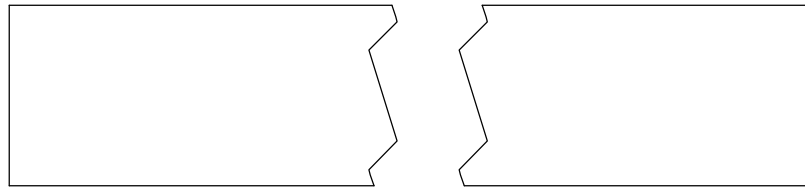
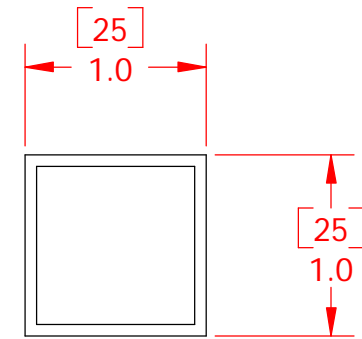
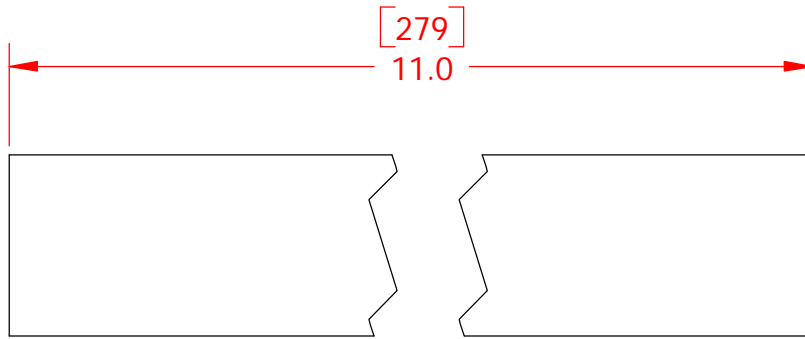
DO NOT SCALE DRAWING

**FOR EDUCATIONAL USE ONLY**  
THE INFORMATION CONTAINED IN THIS DRAWING IS NOT INTENDED FOR USE IN THE CONSTRUCTION OR MANUFACTURE OF PARTS. THE INFORMATION IS PROVIDED WITHOUT WARRANTY FOR EDUCATIONAL REFERENCE ONLY.

**BOOK CHASSIS**  
**BOTTOM UPRIGHT**  
**RAIL LAYOUT**

SIZE <b>A</b>	DWG. NO. bookFrame	REV.
SCALE:1:12	WEIGHT:	SHEET 1 OF 1





DIMENSIONS ARE IN INCHES  
 TOLERANCES:  
 FRACTIONAL  $\pm 1/32$   
 ANGULAR  $\pm 1^\circ$   
 TWO PLACE DECIMAL  $\pm .03$   
 THREE PLACE DECIMAL  $\pm .010$

## BOOK CHASSIS

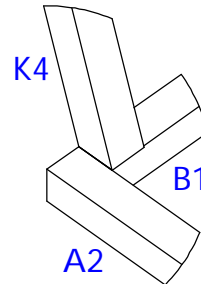
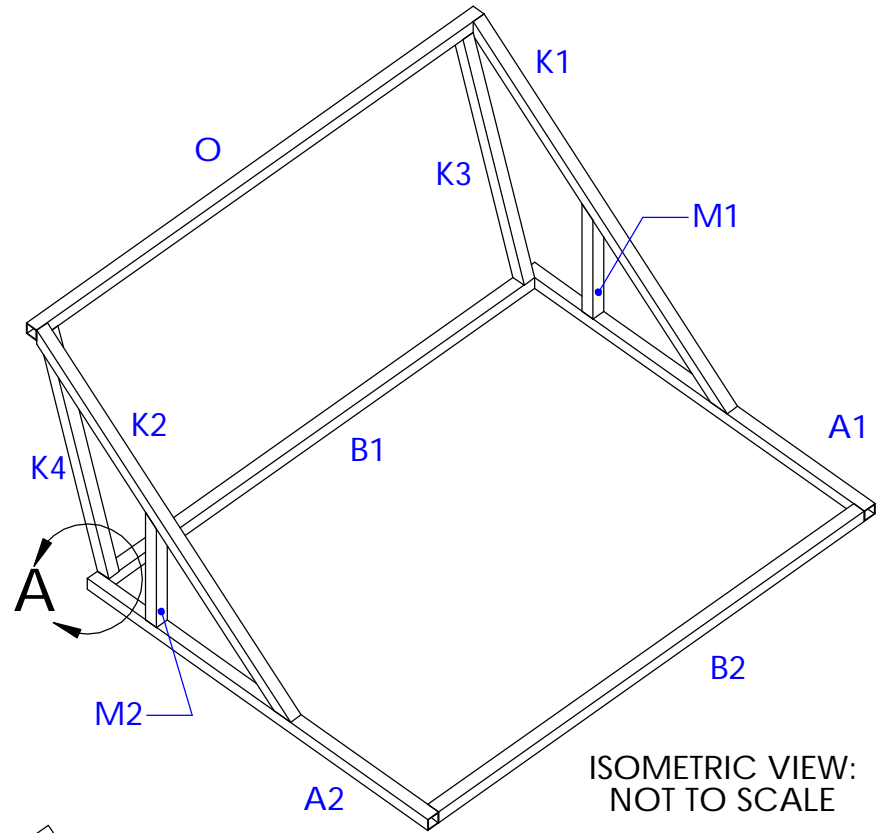
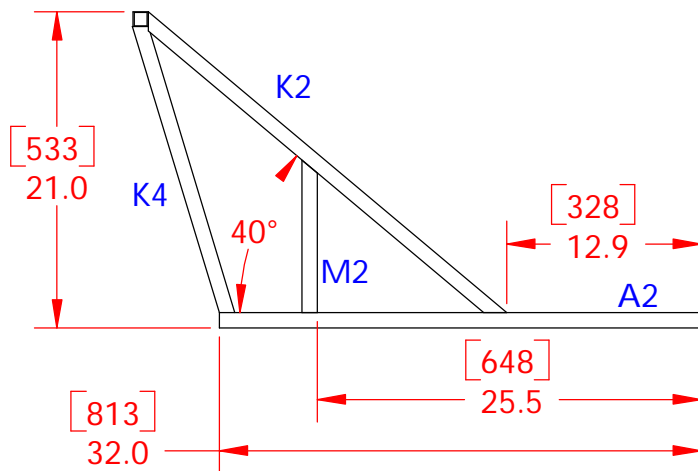
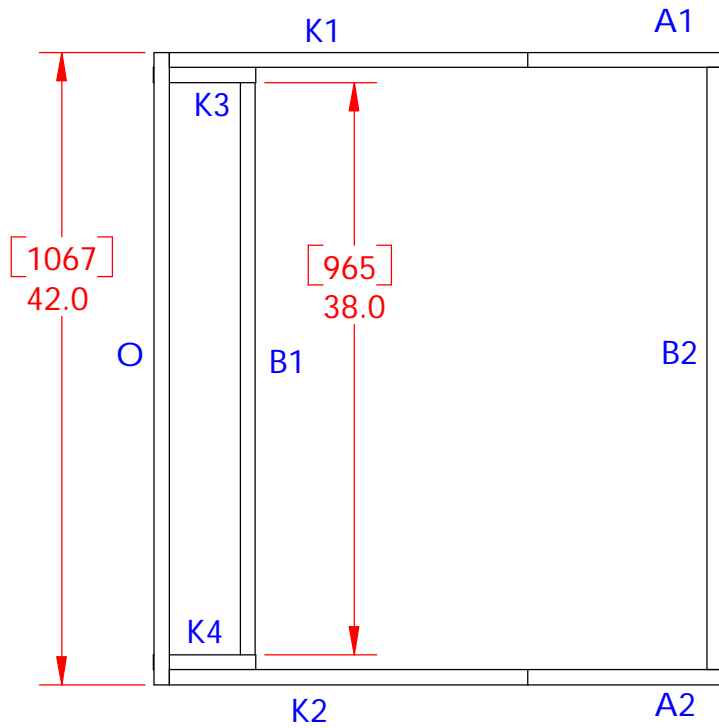
### CENTER UPRIGHT (H)

**FOR EDUCATIONAL USE ONLY**  
 THE INFORMATION CONTAINED IN THIS DRAWING IS NOT INTENDED FOR USE IN THE CONSTRUCTION OR MANUFACTURE OF PARTS. THE INFORMATION IS PROVIDED WITHOUT WARRANTY FOR EDUCATIONAL REFERENCE ONLY.

MATERIAL  
**STEEL - RHS  
 1"x1", 16swg**

DO NOT SCALE DRAWING

SIZE <b>A</b>	DWG. NO. <b>H</b>	REV.
SCALE:1:1	WEIGHT:	SHEET 1 OF 1



DETAIL A  
SCALE 1 : 4

NOTE: ASSEMBLED PARTS FORWARD OF "B2" HIDDEN FOR CLARITY.

DIMENSIONS ARE IN INCHES  
TOLERANCES:  
FRACTIONAL  $\pm 1/32$   
ANGULAR  $\pm 1^\circ$   
TWO PLACE DECIMAL  $\pm .03$   
THREE PLACE DECIMAL  $\pm .010$

### BOOK CHASSIS

### REAR BULKHEAD SIDE RAIL LAYOUT

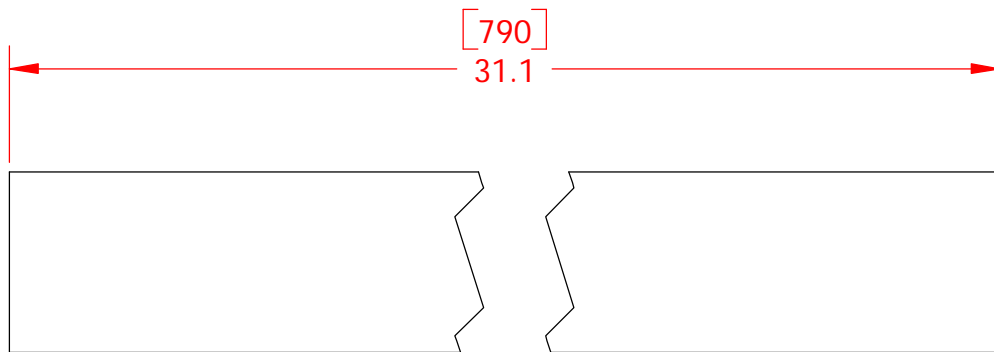
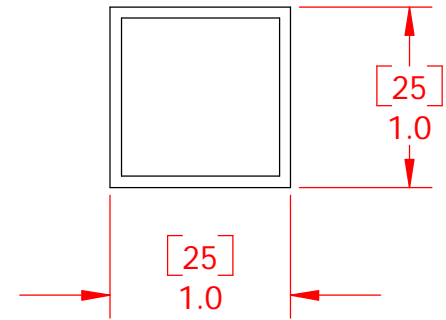
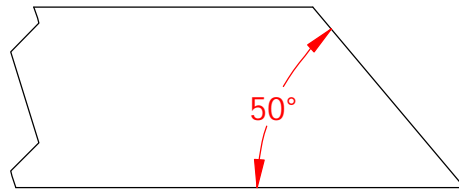
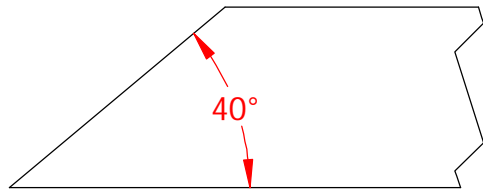
MATERIAL  
STEEL - RHS  
1"X1", 16swg

SIZE <b>A</b>	DWG. NO. bookFrame	REV.
------------------	-----------------------	------

DO NOT SCALE DRAWING

SCALE:1:1	WEIGHT:	SHEET 1 OF 1
-----------	---------	--------------

**FOR EDUCATIONAL USE ONLY**  
THE INFORMATION CONTAINED IN THIS DRAWING IS NOT INTENDED FOR USE IN THE CONSTRUCTION OR MANUFACTURE OF PARTS. THE INFORMATION IS PROVIDED WITHOUT WARRANTY FOR EDUCATIONAL REFERENCE ONLY.



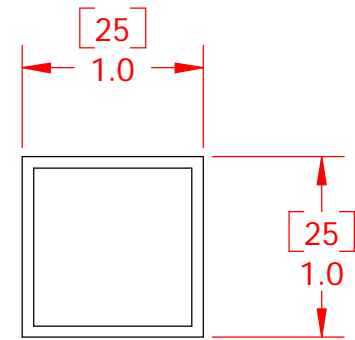
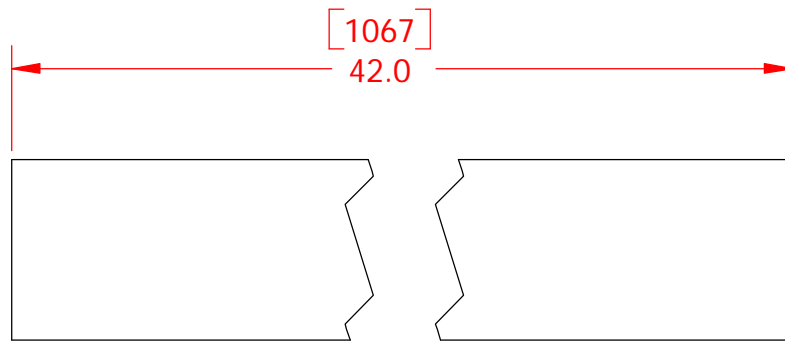
DIMENSIONS ARE IN INCHES  
 TOLERANCES:  
 FRACTIONAL  $\pm 1/32$   
 ANGULAR  $\pm 1^\circ$   
 TWO PLACE DECIMAL  $\pm .03$   
 THREE PLACE DECIMAL  $\pm .010$

**FOR EDUCATIONAL USE ONLY**  
 THE INFORMATION CONTAINED IN THIS DRAWING IS NOT INTENDED FOR USE IN THE CONSTRUCTION OR MANUFACTURE OF PARTS. THE INFORMATION IS PROVIDED WITHOUT WARRANTY FOR EDUCATIONAL REFERENCE ONLY.

MATERIAL  
**STEEL - RHS**  
**1"x1", 16swg**  
 DO NOT SCALE DRAWING

**BOOK CHASSIS**  
**REAR BULKHEAD**  
**SIDE MEMBER**  
**(K1 & K2)**

SIZE <b>A</b>	DWG. NO. <b>K1_2</b>	REV.
SCALE:1:1	WEIGHT:	SHEET 1 OF 1



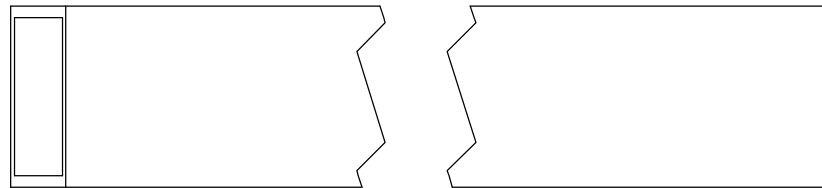
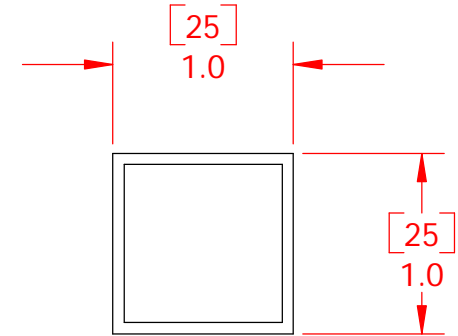
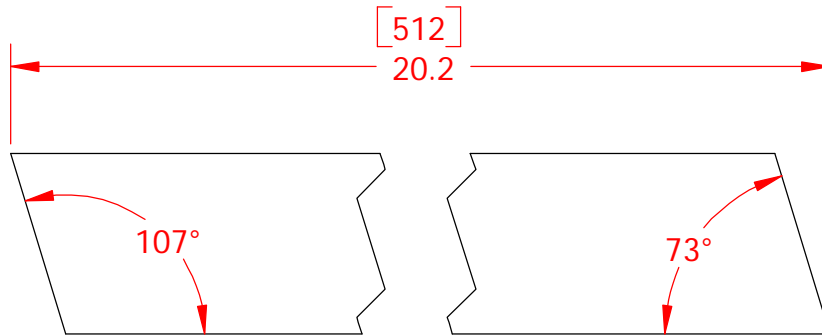
DIMENSIONS ARE IN INCHES  
 TOLERANCES:  
 FRACTIONAL  $\pm 1/32$   
 ANGULAR  $\pm 1^\circ$   
 TWO PLACE DECIMAL  $\pm .03$   
 THREE PLACE DECIMAL  $\pm .010$

**BOOK CHASSIS**  
**REAR BULKHEAD**  
**TOP CROSS RAIL**  
**(O)**

**FOR EDUCATIONAL USE ONLY**  
 THE INFORMATION CONTAINED IN THIS DRAWING IS NOT INTENDED FOR USE IN THE CONSTRUCTION OR MANUFACTURE OF PARTS. THE INFORMATION IS PROVIDED WITHOUT WARRANTY FOR EDUCATIONAL REFERENCE ONLY.

MATERIAL  
**STEEL - RHS**  
**1"x1", 16swg**  
 DO NOT SCALE DRAWING

SIZE <b>A</b>	DWG. NO. O	REV.
SCALE:1:1	WEIGHT:	SHEET 1 OF 1

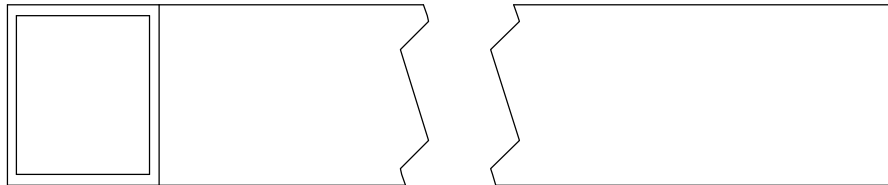
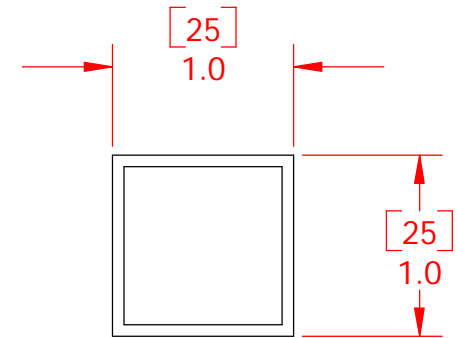
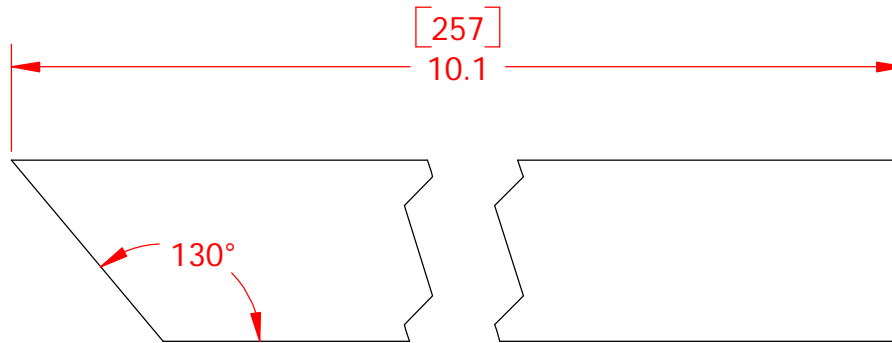


DIMENSIONS ARE IN INCHES  
 TOLERANCES:  
 FRACTIONAL  $\pm 1/32$   
 ANGULAR  $\pm 1^\circ$   
 TWO PLACE DECIMAL  $\pm .03$   
 THREE PLACE DECIMAL  $\pm .010$

**FOR EDUCATIONAL USE ONLY**  
 THE INFORMATION CONTAINED IN THIS DRAWING IS NOT INTENDED FOR USE IN THE CONSTRUCTION OR MANUFACTURE OF PARTS. THE INFORMATION IS PROVIDED WITHOUT WARRANTY FOR EDUCATIONAL REFERENCE ONLY.

MATERIAL  
**STEEL - RHS**  
**1"x1", 16swg**  
 DO NOT SCALE DRAWING

<b>BOOK CHASSIS</b>		
<b>REAR BULKHEAD TOP CROSS RAIL SUPPORT (K3 &amp; K4)</b>		
SIZE <b>A</b>	DWG. NO. <b>K3_4</b>	REV.
SCALE:1:1	WEIGHT:	SHEET 1 OF 1

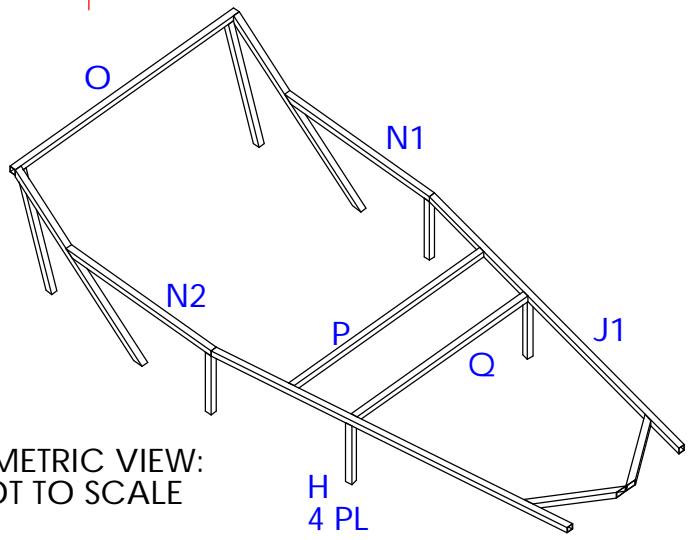
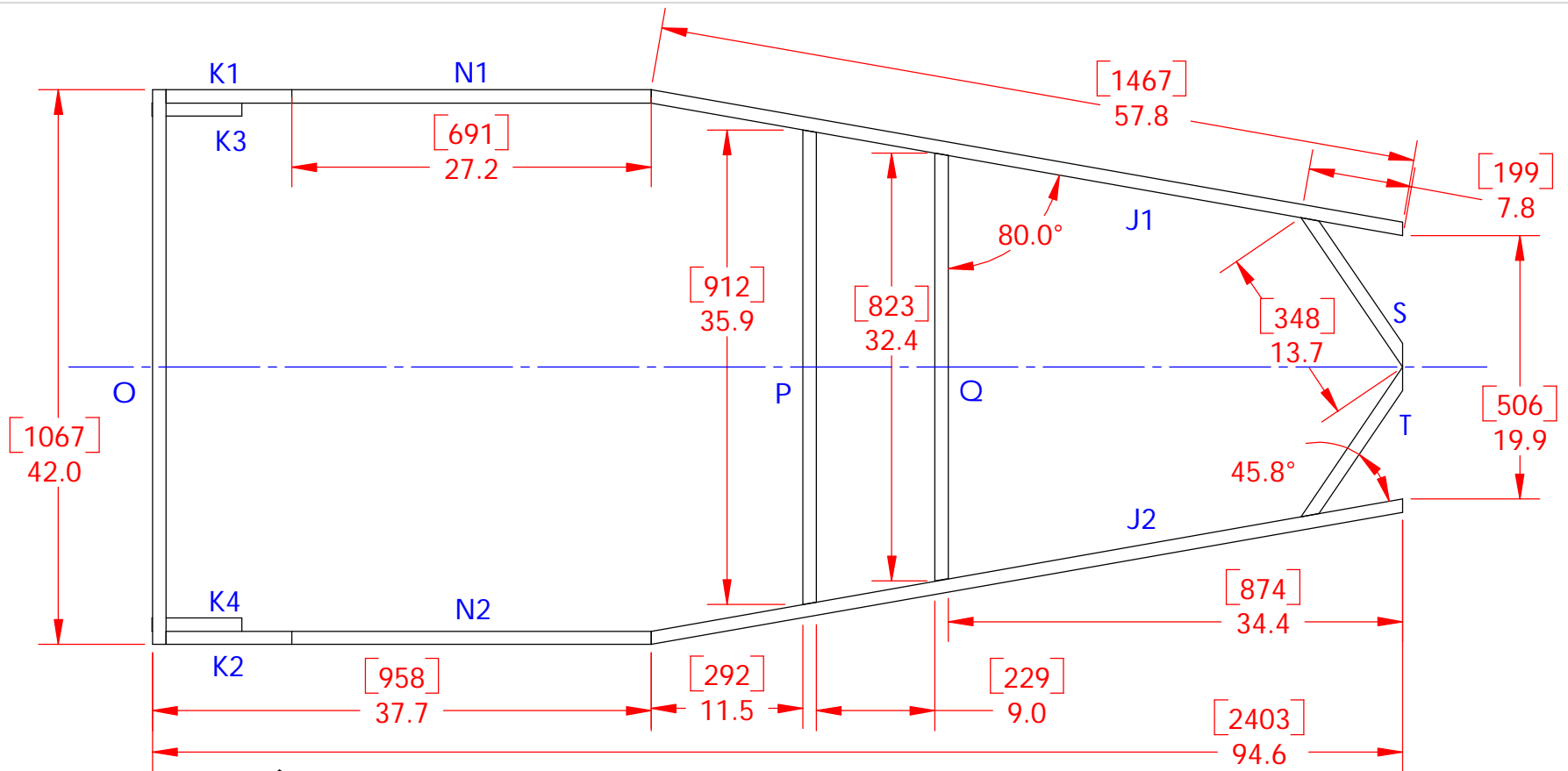


DIMENSIONS ARE IN INCHES  
 TOLERANCES:  
 FRACTIONAL  $\pm 1/32$   
 ANGULAR  $\pm 1^\circ$   
 TWO PLACE DECIMAL  $\pm .03$   
 THREE PLACE DECIMAL  $\pm .010$

**FOR EDUCATIONAL USE ONLY**  
 THE INFORMATION CONTAINED IN THIS DRAWING IS NOT INTENDED FOR USE IN THE CONSTRUCTION OR MANUFACTURE OF PARTS. THE INFORMATION IS PROVIDED WITHOUT WARRANTY FOR EDUCATIONAL REFERENCE ONLY.

MATERIAL  
**STEEL - RHS**  
**1"x1", 16swg**  
 DO NOT SCALE DRAWING

<b>BOOK CHASSIS</b>		
<b>REAR BULKHEAD UPRIGHT SUPPORT (M1 &amp; M2)</b>		
SIZE <b>A</b>	DWG. NO. <b>M</b>	REV.
SCALE:1:1	WEIGHT:	SHEET 1 OF 1

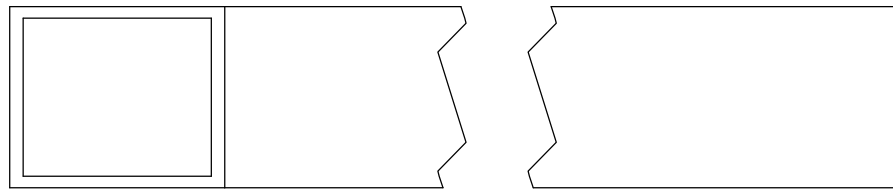
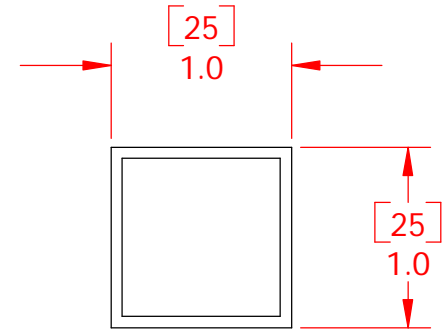
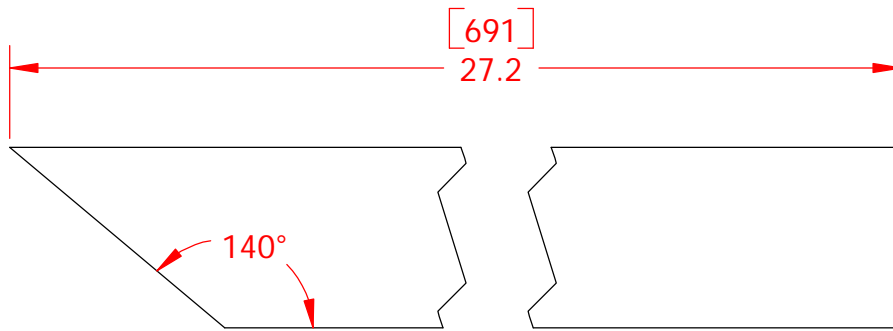


NOTE: FRONT ASSEMBLY AND BOTTOM RAILS HIDDEN FOR CLARITY.

DIMENSIONS ARE IN INCHES TOLERANCES: FRACTIONAL $\pm 1/32$ ANGULAR $\pm 1^\circ$ TWO PLACE DECIMAL $\pm .03$ THREE PLACE DECIMAL $\pm .010$		<b>BOOK CHASSIS</b>	
		<b>TOP RAIL LAYOUT</b>	
MATERIAL <b>STEEL - RHS</b> <b>1"x1", 16swg</b>		SIZE <b>A</b>	DWG. NO. <b>bookFrame</b>
DO NOT SCALE DRAWING		SCALE:1:12	WEIGHT: REV.
		SHEET 1 OF 1	

**FOR EDUCATIONAL USE ONLY**

THE INFORMATION CONTAINED IN THIS DRAWING IS NOT INTENDED FOR USE IN THE CONSTRUCTION OR MANUFACTURE OF PARTS. THE INFORMATION IS PROVIDED WITHOUT WARRANTY FOR EDUCATIONAL REFERENCE ONLY.



**FOR EDUCATIONAL USE ONLY**

THE INFORMATION CONTAINED IN THIS DRAWING IS NOT INTENDED FOR USE IN THE CONSTRUCTION OR MANUFACTURE OF PARTS. THE INFORMATION IS PROVIDED WITHOUT WARRANTY FOR EDUCATIONAL REFERENCE ONLY.

DIMENSIONS ARE IN INCHES  
 TOLERANCES:  
 FRACTIONAL  $\pm 1/32$   
 ANGULAR  $\pm 1^\circ$   
 TWO PLACE DECIMAL  $\pm .03$   
 THREE PLACE DECIMAL  $\pm .010$

MATERIAL  
**STEEL - RHS**  
**1"x1", 16swg**

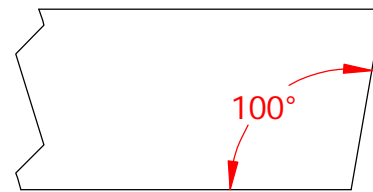
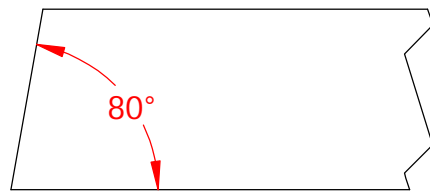
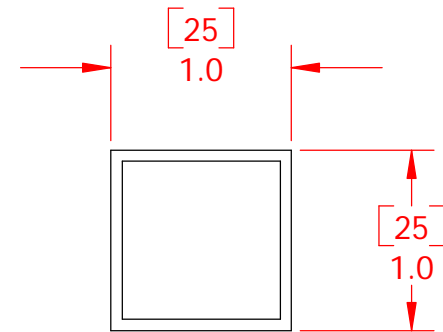
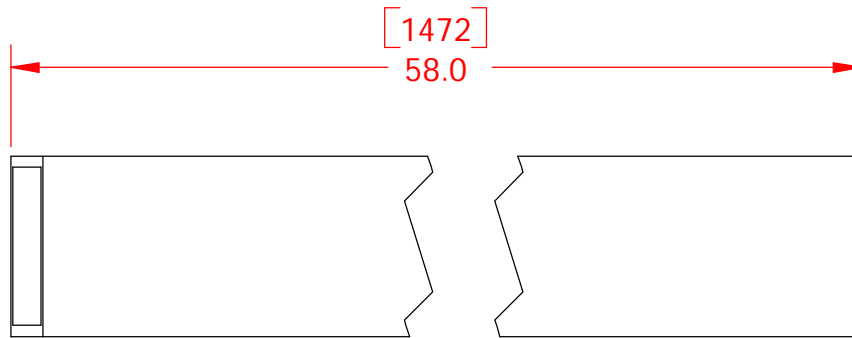
DO NOT SCALE DRAWING

**BOOK CHASSIS**

**COCKPIT TOP  
 SIDE RAIL  
 (N1 & N2)**

SIZE <b>A</b>	DWG. NO. <b>N</b>	REV.
SCALE:1:1	WEIGHT:	SHEET 1 OF 1





DIMENSIONS ARE IN INCHES  
 TOLERANCES:  
 FRACTIONAL  $\pm 1/32$   
 ANGULAR  $\pm 1^\circ$   
 TWO PLACE DECIMAL  $\pm .03$   
 THREE PLACE DECIMAL  $\pm .010$

## BOOK CHASSIS

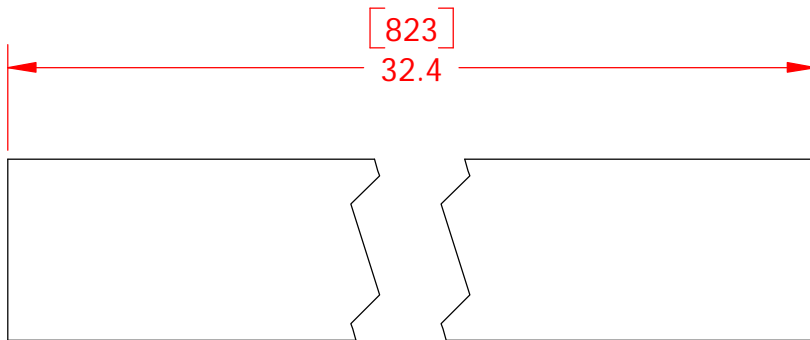
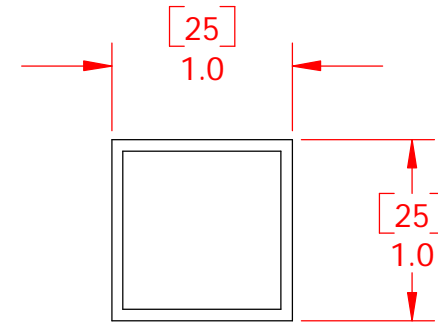
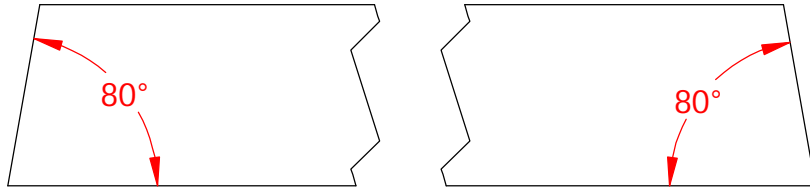
### TOP FRONT SIDE RAIL (J1 & J2)

**FOR EDUCATIONAL USE ONLY**  
 THE INFORMATION CONTAINED IN THIS  
 DRAWING IS NOT INTENDED FOR USE IN  
 THE CONSTRUCTION OR MANUFACTURE  
 OF PARTS. THE INFORMATION IS PROVIDED  
 WITHOUT WARRANTY FOR EDUCATIONAL  
 REFERENCE ONLY.

MATERIAL  
**STEEL - RHS  
 1"x1", 16swg**

DO NOT SCALE DRAWING

SIZE <b>A</b>	DWG. NO. <b>J</b>	REV.
SCALE:1:1	WEIGHT:	SHEET 1 OF 1



DIMENSIONS ARE IN INCHES  
 TOLERANCES:  
 FRACTIONAL  $\pm 1/32$   
 ANGULAR  $\pm 1^\circ$   
 TWO PLACE DECIMAL  $\pm .03$   
 THREE PLACE DECIMAL  $\pm .010$

### BOOK CHASSIS

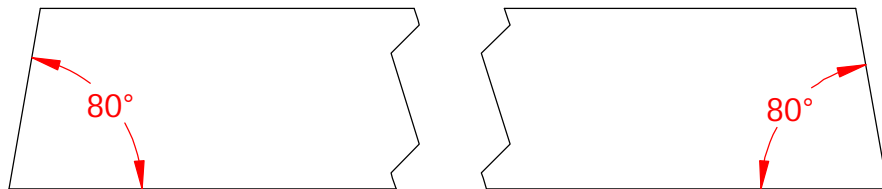
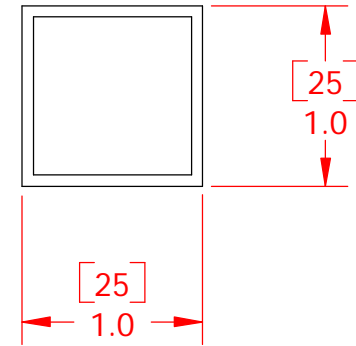
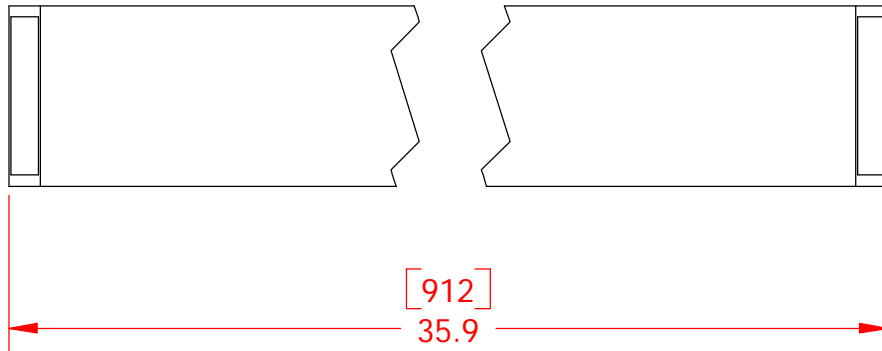
### FRONT BULKHEAD TOP CROSS RAIL (Q)

**FOR EDUCATIONAL USE ONLY**  
 THE INFORMATION CONTAINED IN THIS  
 DRAWING IS NOT INTENDED FOR USE IN  
 THE CONSTRUCTION OR MANUFACTURE  
 OF PARTS. THE INFORMATION IS PROVIDED  
 WITHOUT WARRANTY FOR EDUCATIONAL  
 REFERENCE ONLY.

MATERIAL  
**STEEL - RHS  
 1"x1", 16swg**

DO NOT SCALE DRAWING

SIZE <b>A</b>	DWG. NO. <b>Q</b>	REV.
SCALE:1:1	WEIGHT:	SHEET 1 OF 1

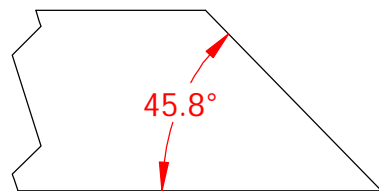
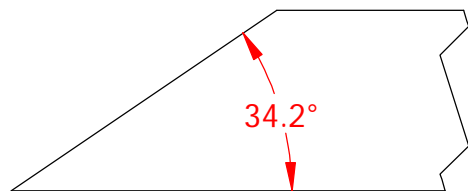
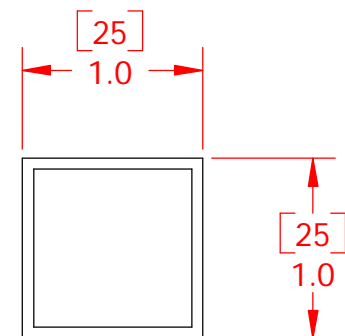
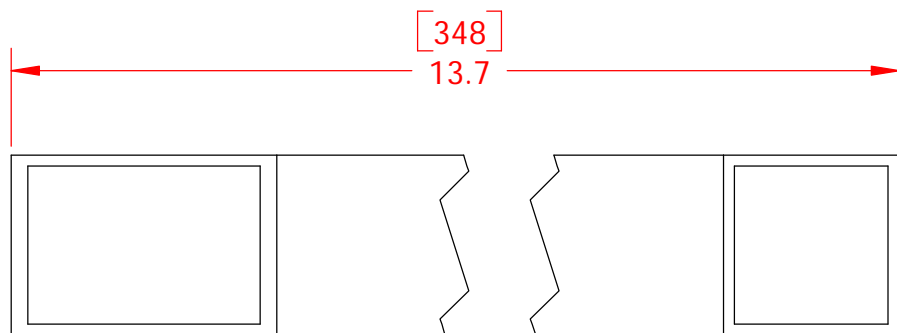


**FOR EDUCATIONAL USE ONLY**  
 THE INFORMATION CONTAINED IN THIS DRAWING IS NOT INTENDED FOR USE IN THE CONSTRUCTION OR MANUFACTURE OF PARTS. THE INFORMATION IS PROVIDED WITHOUT WARRANTY FOR EDUCATIONAL REFERENCE ONLY.

DIMENSIONS ARE IN INCHES  
 TOLERANCES:  
 FRACTIONAL ± 1/32  
 ANGULAR ± 1°  
 TWO PLACE DECIMAL ± .03  
 THREE PLACE DECIMAL ± .010

MATERIAL  
**STEEL - RHS**  
**1"x1", 16swg**  
 DO NOT SCALE DRAWING

<b>BOOK CHASSIS</b>		
<b>SCUTTLE SUPPORT CROSS RAIL (P)</b>		
SIZE <b>A</b>	DWG. NO. <b>P</b>	REV.
SCALE:1:1	WEIGHT:	SHEET 1 OF 1



DIMENSIONS ARE IN INCHES  
 TOLERANCES:  
 FRACTIONAL  $\pm 1/32$   
 ANGULAR  $\pm 1^\circ$   
 TWO PLACE DECIMAL  $\pm .03$   
 THREE PLACE DECIMAL  $\pm .010$

## BOOK CHASSIS

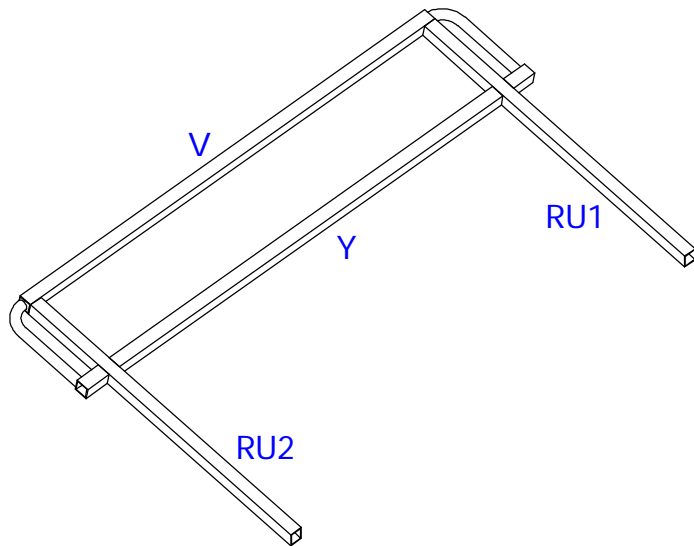
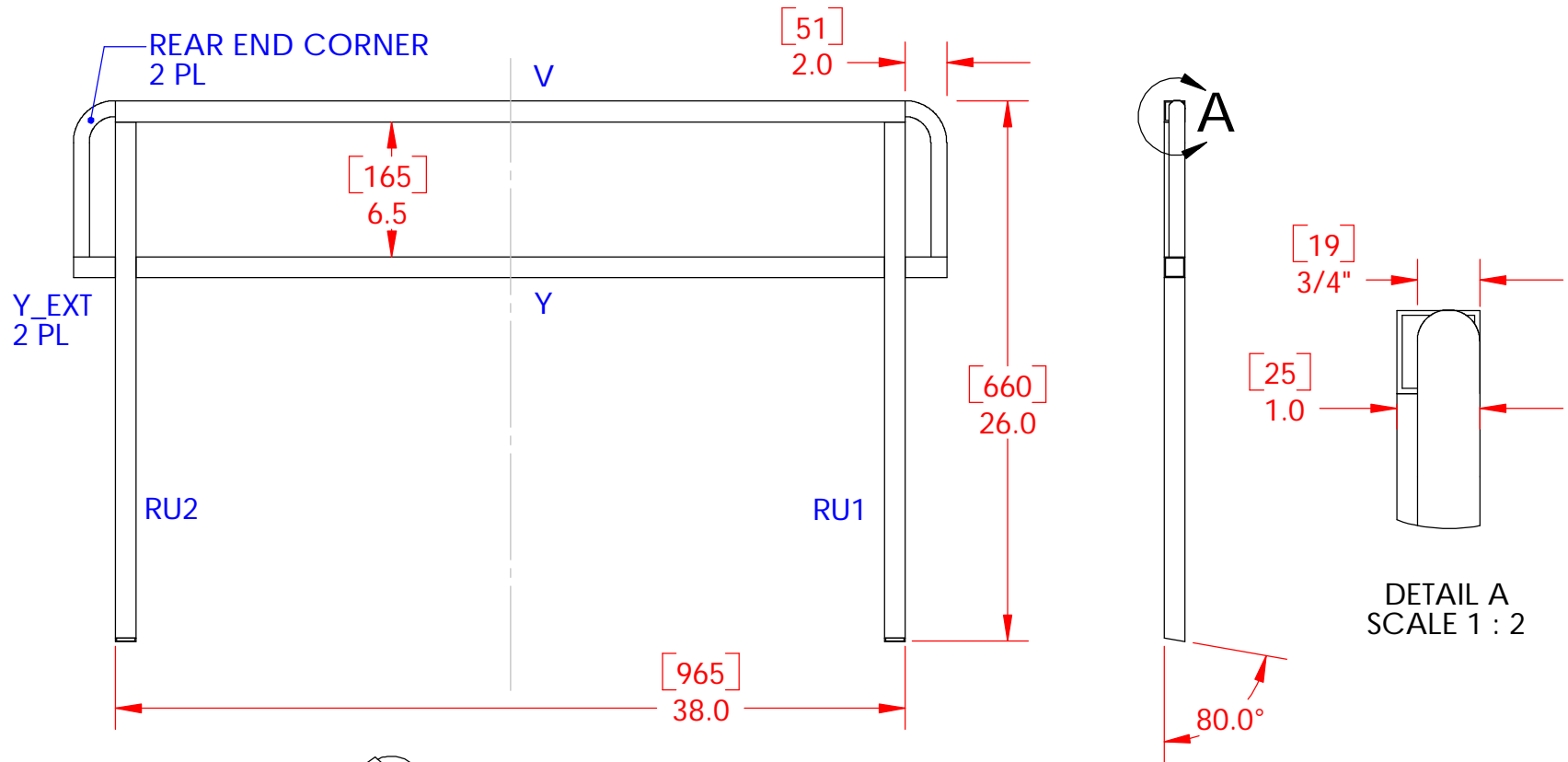
### FRONT DIAGONAL STRENGTH MEMBER (S & T)

**FOR EDUCATIONAL USE ONLY**  
 THE INFORMATION CONTAINED IN THIS  
 DRAWING IS NOT INTENDED FOR USE IN  
 THE CONSTRUCTION OR MANUFACTURE  
 OF PARTS. THE INFORMATION IS PROVIDED  
 WITHOUT WARRANTY FOR EDUCATIONAL  
 REFERENCE ONLY.

MATERIAL  
**STEEL - RHS  
 1"x1", 16swg**

DO NOT SCALE DRAWING

SIZE <b>A</b>	DWG. NO. S_T	REV.
SCALE:1:1	WEIGHT:	SHEET 1 OF 1



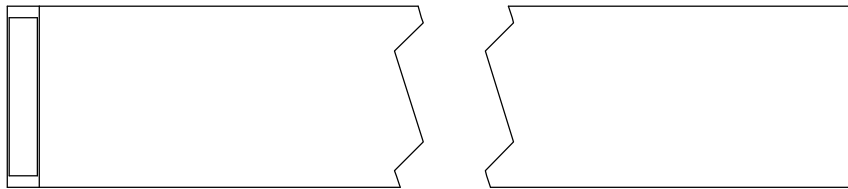
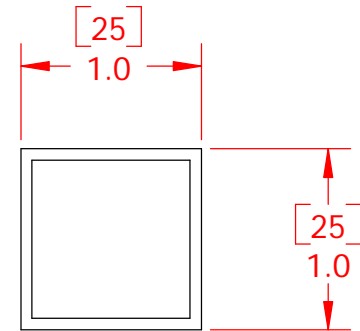
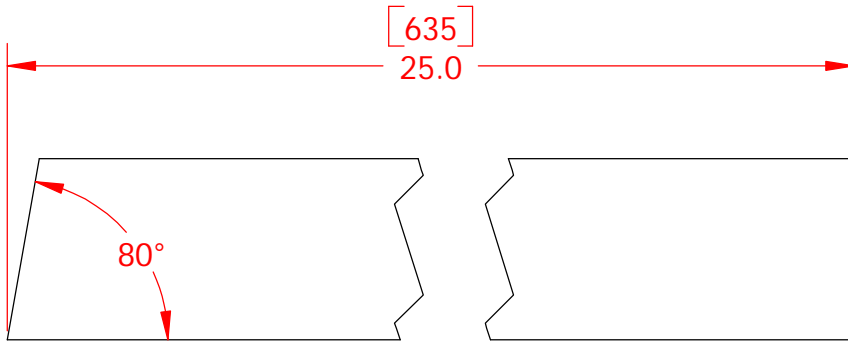
**FOR EDUCATIONAL USE ONLY**  
 THE INFORMATION CONTAINED IN THIS DRAWING IS NOT INTENDED FOR USE IN THE CONSTRUCTION OR MANUFACTURE OF PARTS. THE INFORMATION IS PROVIDED WITHOUT WARRANTY FOR EDUCATIONAL REFERENCE ONLY.

DIMENSIONS ARE IN INCHES  
 TOLERANCES:  
 FRACTIONAL ± 1/32  
 ANGULAR ± 1°  
 TWO PLACE DECIMAL ± .03  
 THREE PLACE DECIMAL ± .010

MATERIAL STEEL - RHS  
 1"x1" - 16swg,  
 Ø 3/4" TUBE

DO NOT SCALE DRAWING

<b>BOOK CHASSIS</b>		
<b>REAR END BOTTOM ASSEMBLY</b>		
SIZE <b>A</b>	DWG. NO. bookFrame	REV.
SCALE:1:1	WEIGHT:	SHEET 1 OF 1



DIMENSIONS ARE IN INCHES  
 TOLERANCES:  
 FRACTIONAL  $\pm 1/32$   
 ANGULAR  $\pm 1^\circ$   
 TWO PLACE DECIMAL  $\pm .03$   
 THREE PLACE DECIMAL  $\pm .010$

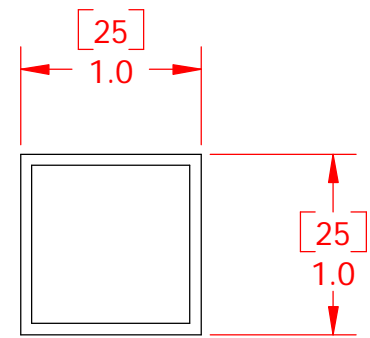
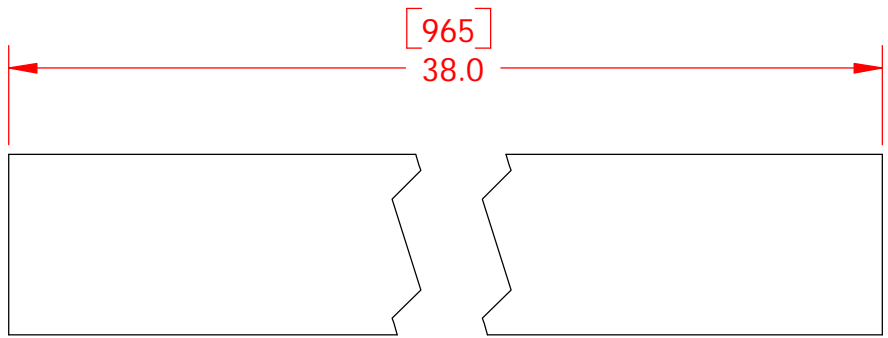
**FOR EDUCATIONAL USE ONLY**  
 THE INFORMATION CONTAINED IN THIS  
 DRAWING IS NOT INTENDED FOR USE IN  
 THE CONSTRUCTION OR MANUFACTURE  
 OF PARTS. THE INFORMATION IS PROVIDED  
 WITHOUT WARRANTY FOR EDUCATIONAL  
 REFERENCE ONLY.

MATERIAL  
**STEEL - RHS**  
**1"x1", 16swg**  
 DO NOT SCALE DRAWING

## BOOK CHASSIS

### REAR END BOTTOM SIDE RAIL (RU1 & RU2)

SIZE <b>A</b>	DWG. NO. <b>RU</b>	REV.
SCALE:1:1	WEIGHT:	SHEET 1 OF 1



**FOR EDUCATIONAL USE ONLY**

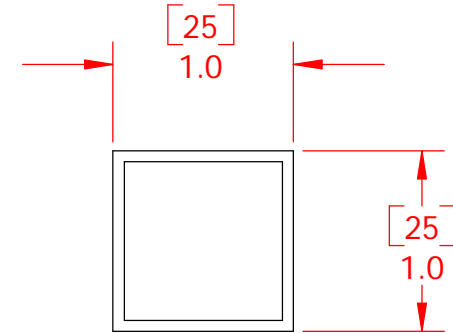
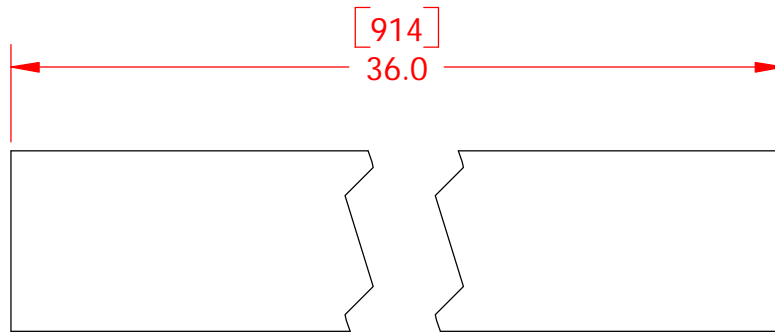
THE INFORMATION CONTAINED IN THIS DRAWING IS NOT INTENDED FOR USE IN THE CONSTRUCTION OR MANUFACTURE OF PARTS. THE INFORMATION IS PROVIDED WITHOUT WARRANTY FOR EDUCATIONAL REFERENCE ONLY.

DIMENSIONS ARE IN INCHES  
 TOLERANCES:  
 FRACTIONAL  $\pm 1/32$   
 ANGULAR  $\pm 1^\circ$   
 TWO PLACE DECIMAL  $\pm .03$   
 THREE PLACE DECIMAL  $\pm .010$

MATERIAL  
**STEEL - RHS**  
**1"x1", 16swg**

DO NOT SCALE DRAWING

<b>BOOK CHASSIS</b>		
<b>REAR END BOTTOM OUTER CROSS RAIL (V)</b>		
SIZE <b>A</b>	DWG. NO. <b>V</b>	REV.
SCALE:1:1	WEIGHT:	SHEET 1 OF 1



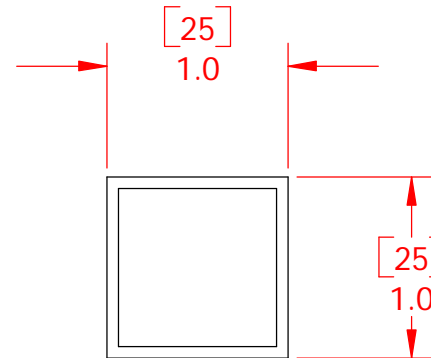
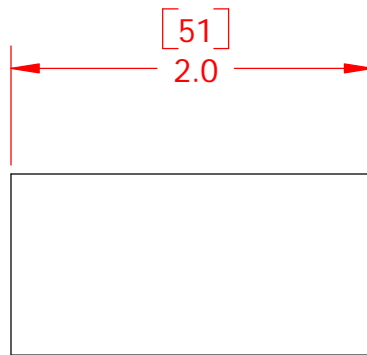
DIMENSIONS ARE IN INCHES  
 TOLERANCES:  
 FRACTIONAL  $\pm 1/32$   
 ANGULAR  $\pm 1^\circ$   
 TWO PLACE DECIMAL  $\pm .03$   
 THREE PLACE DECIMAL  $\pm .010$

**FOR EDUCATIONAL USE ONLY**  
 THE INFORMATION CONTAINED IN THIS DRAWING IS NOT INTENDED FOR USE IN THE CONSTRUCTION OR MANUFACTURE OF PARTS. THE INFORMATION IS PROVIDED WITHOUT WARRANTY FOR EDUCATIONAL REFERENCE ONLY.

MATERIAL  
**STEEL - RHS**  
**1"x1", 16swg**  
 DO NOT SCALE DRAWING

<b>BOOK CHASSIS</b>		
<b>REAR END BOTTOM INNER CROSS RAIL (Y)</b>		
SIZE <b>A</b>	DWG. NO. Y	REV.
SCALE:1:1	WEIGHT:	SHEET 1 OF 1





DIMENSIONS ARE IN INCHES  
 TOLERANCES:  
 FRACTIONAL  $\pm 1/32$   
 ANGULAR  $\pm 1^\circ$   
 TWO PLACE DECIMAL  $\pm .03$   
 THREE PLACE DECIMAL  $\pm .010$

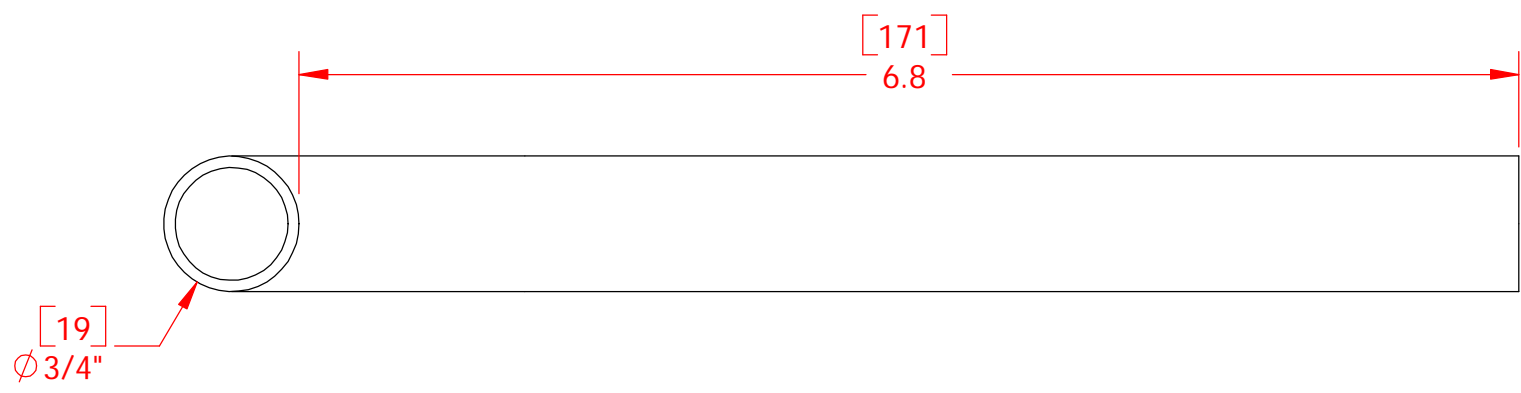
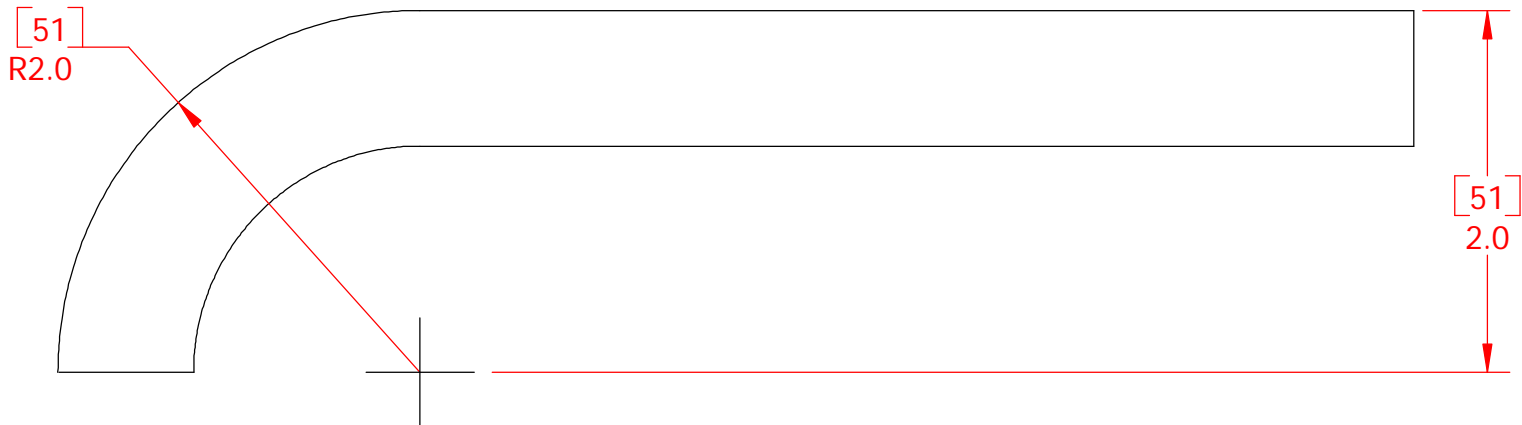
**FOR EDUCATIONAL USE ONLY**  
 THE INFORMATION CONTAINED IN THIS DRAWING IS NOT INTENDED FOR USE IN THE CONSTRUCTION OR MANUFACTURE OF PARTS. THE INFORMATION IS PROVIDED WITHOUT WARRANTY FOR EDUCATIONAL REFERENCE ONLY.

MATERIAL  
**STEEL - RHS**  
**1"x1", 16swg**  
 DO NOT SCALE DRAWING

## BOOK CHASSIS

### REAR END BOTTOM INNER CROSS RAIL EXTENSION (Y\_EXT)

SIZE <b>A</b>	DWG. NO. Y_EXT	REV.
SCALE:1:1	WEIGHT:	SHEET 1 OF 1



DIMENSIONS ARE IN INCHES  
 TOLERANCES:  
 FRACTIONAL  $\pm 1/32$   
 ANGULAR  $\pm 1^\circ$   
 TWO PLACE DECIMAL  $\pm .03$   
 THREE PLACE DECIMAL  $\pm .010$

### BOOK CHASSIS

### REAR END BOTTOM CORNER TUBE

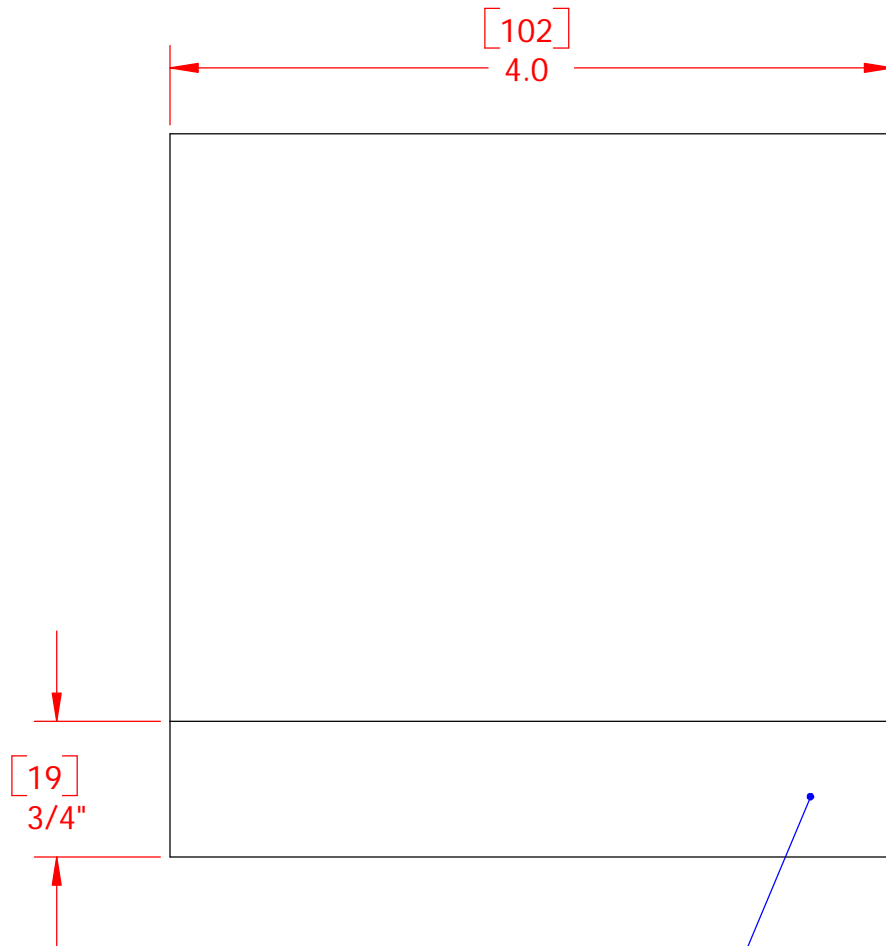
**FOR EDUCATIONAL USE ONLY**  
 THE INFORMATION CONTAINED IN THIS DRAWING IS NOT INTENDED FOR USE IN THE CONSTRUCTION OR MANUFACTURE OF PARTS. THE INFORMATION IS PROVIDED WITHOUT WARRANTY FOR EDUCATIONAL REFERENCE ONLY.

MATERIAL  
**STEEL - TUBE**  
 $\phi 3/4"$

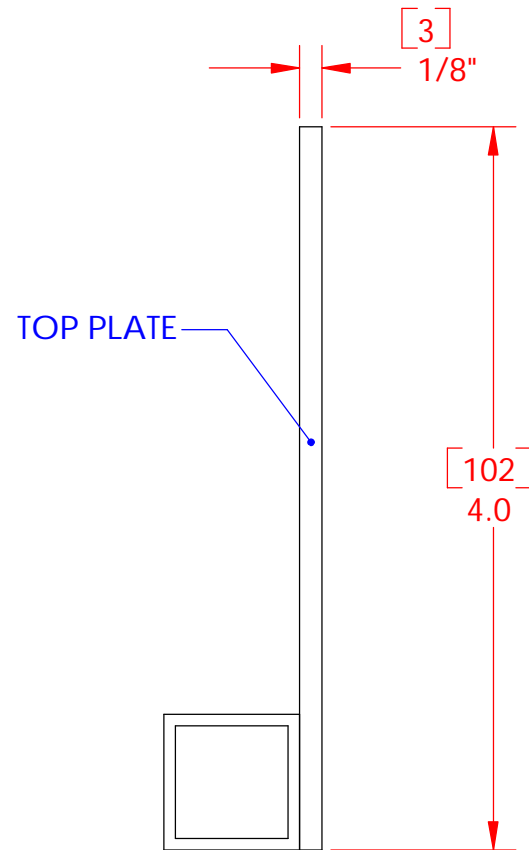
DO NOT SCALE DRAWING

SIZE <b>A</b>	DWG. NO. rearBottomCorner	REV.
------------------	------------------------------	------

SCALE:1:1	WEIGHT:	SHEET 1 OF 1
-----------	---------	--------------



TOP PLATE MEMBER



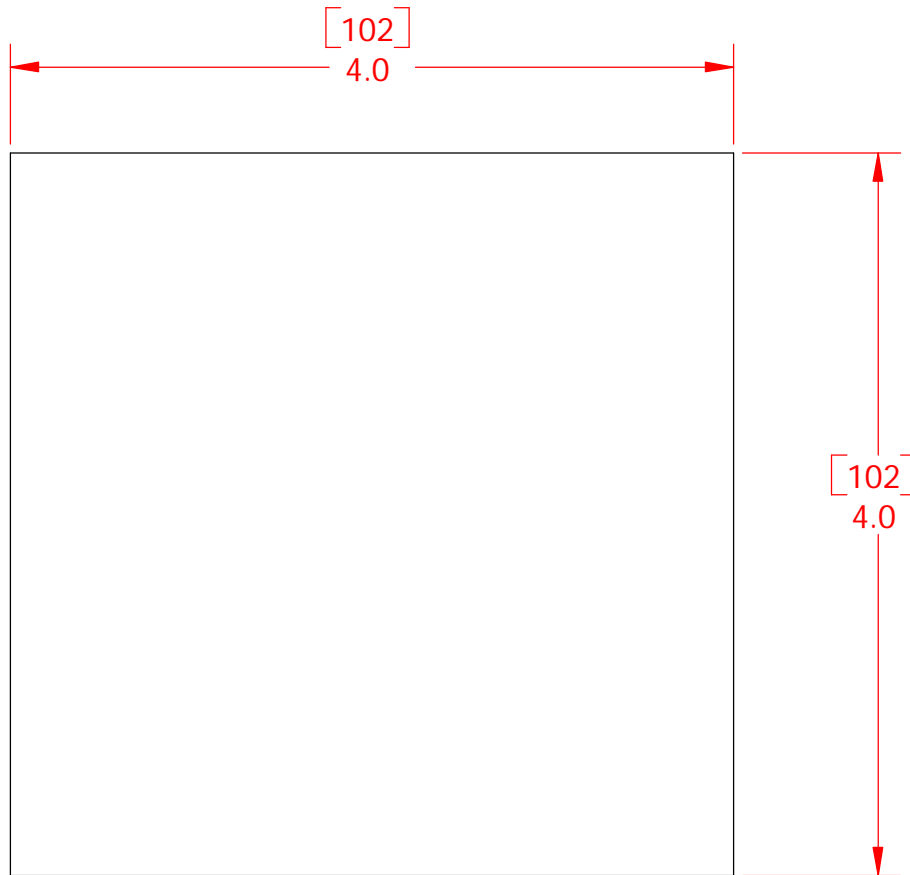
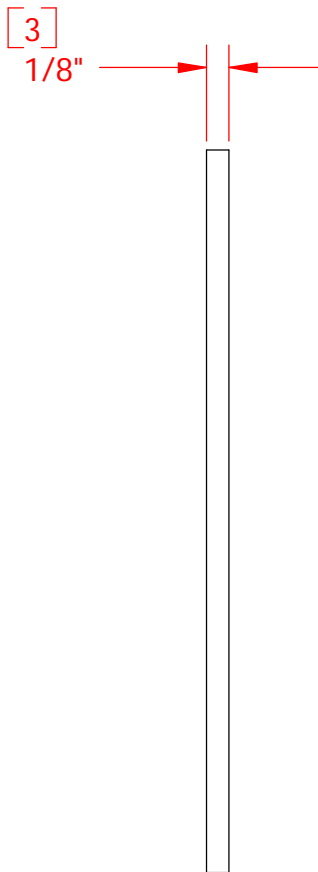
DIMENSIONS ARE IN INCHES  
 TOLERANCES:  
 FRACTIONAL  $\pm 1/32$   
 ANGULAR  $\pm 1^\circ$   
 TWO PLACE DECIMAL  $\pm .03$   
 THREE PLACE DECIMAL  $\pm .010$

**BOOK CHASSIS**  
**REAR BULKHEAD**  
**TOP PLATE ASSEMBLY**

**FOR EDUCATIONAL USE ONLY**  
 THE INFORMATION CONTAINED IN THIS DRAWING IS NOT INTENDED FOR USE IN THE CONSTRUCTION OR MANUFACTURE OF PARTS. THE INFORMATION IS PROVIDED WITHOUT WARRANTY FOR EDUCATIONAL REFERENCE ONLY.

MATERIAL  
 DO NOT SCALE DRAWING

SIZE <b>A</b>	DWG. NO. rearPlateAssembly	REV.
SCALE:1:1	WEIGHT:	SHEET 1 OF 1



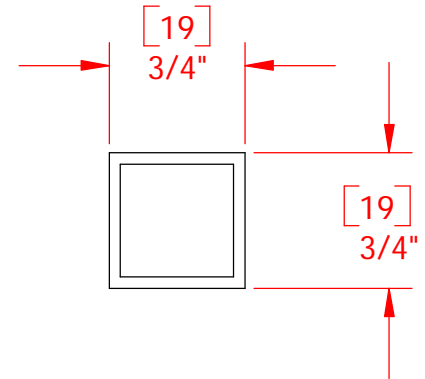
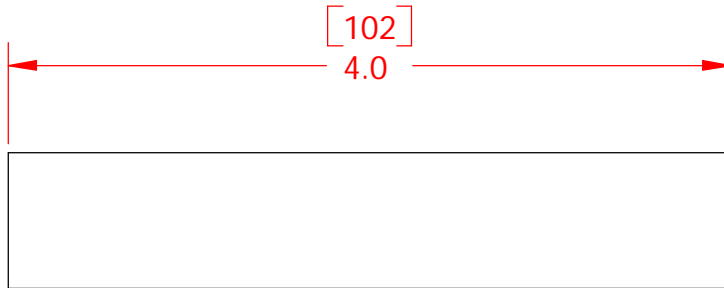
DIMENSIONS ARE IN INCHES  
 TOLERANCES:  
 FRACTIONAL  $\pm 1/32$   
 ANGULAR  $\pm 1^\circ$   
 TWO PLACE DECIMAL  $\pm .03$   
 THREE PLACE DECIMAL  $\pm .010$

**FOR EDUCATIONAL USE ONLY**  
 THE INFORMATION CONTAINED IN THIS DRAWING IS NOT INTENDED FOR USE IN THE CONSTRUCTION OR MANUFACTURE OF PARTS. THE INFORMATION IS PROVIDED WITHOUT WARRANTY FOR EDUCATIONAL REFERENCE ONLY.

MATERIAL  
**STEEL - PLATE**  
**1/8" THICK**  
 DO NOT SCALE DRAWING

**BOOK CHASSIS**  
**REAR BULKHEAD**  
**TOP PLATE**

SIZE <b>A</b>	DWG. NO. rearPlate	REV.
SCALE:1:1	WEIGHT:	SHEET 1 OF 1



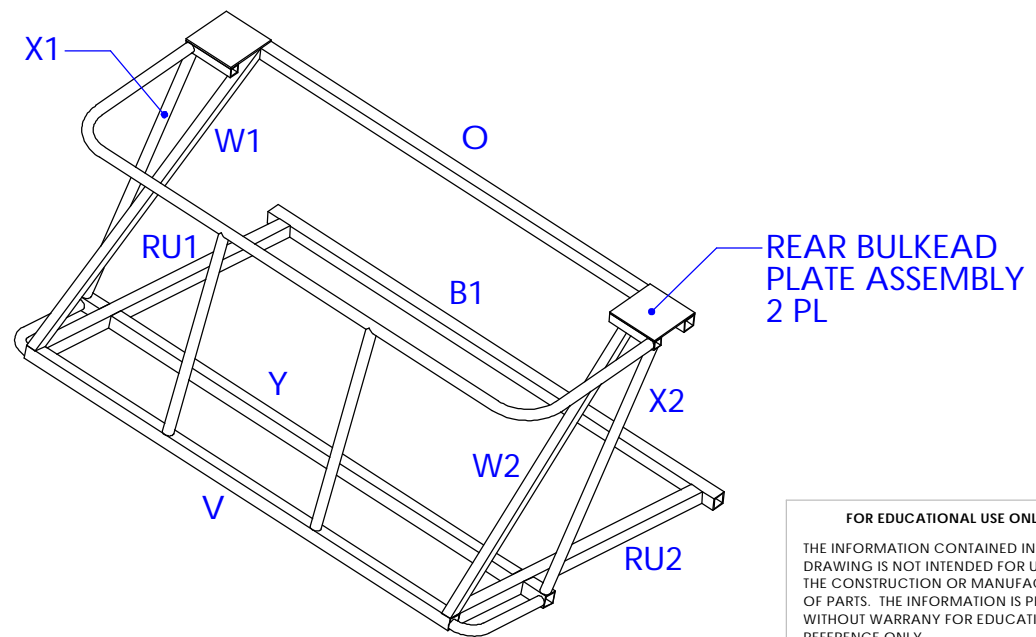
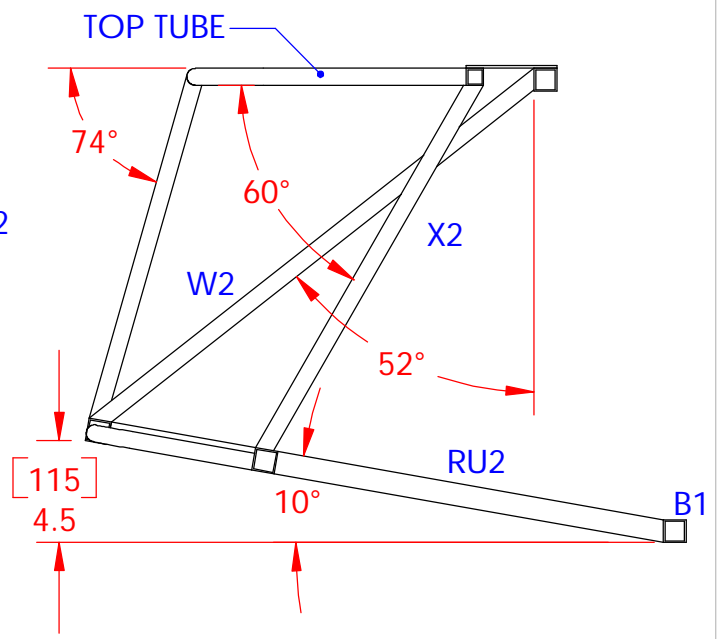
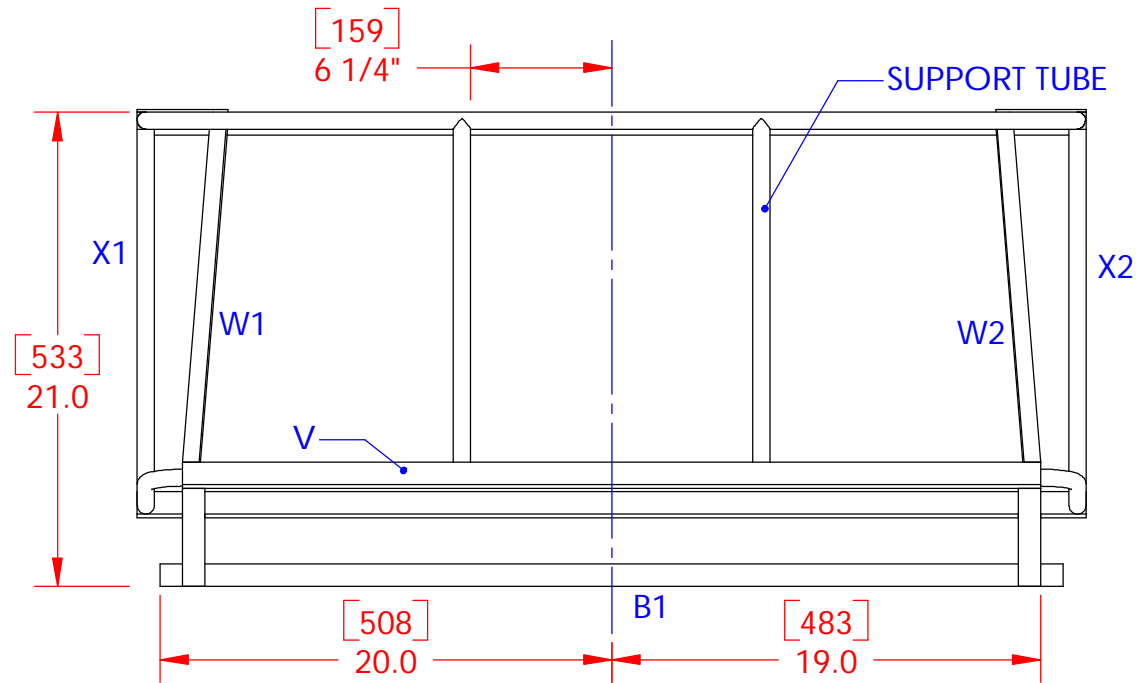
**FOR EDUCATIONAL USE ONLY**  
 THE INFORMATION CONTAINED IN THIS DRAWING IS NOT INTENDED FOR USE IN THE CONSTRUCTION OR MANUFACTURE OF PARTS. THE INFORMATION IS PROVIDED WITHOUT WARRANTY FOR EDUCATIONAL REFERENCE ONLY.

DIMENSIONS ARE IN INCHES  
 TOLERANCES:  
 FRACTIONAL  $\pm 1/32$   
 ANGULAR  $\pm 1^\circ$   
 TWO PLACE DECIMAL  $\pm .03$   
 THREE PLACE DECIMAL  $\pm .010$

MATERIAL  
**STEEL - RHS**  
**3/4" x 3/4", 16swg**

DO NOT SCALE DRAWING

<b>BOOK CHASSIS</b>		
<b>REAR BULKHEAD TOP PLATE MEMBER</b>		
SIZE <b>A</b>	DWG. NO. rearPlateMember	REV.
SCALE:1:1	WEIGHT:	SHEET 1 OF 1



NOTE: ALL ASSEMBLED PARTS FORWARD OF "B1" AND "O" HIDDEN FOR CLARITY.

DIMENSIONS ARE IN INCHES  
 TOLERANCES:  
 FRACTIONAL ± 1/32  
 ANGULAR ± 1°  
 TWO PLACE DECIMAL ± .03  
 THREE PLACE DECIMAL ± .010

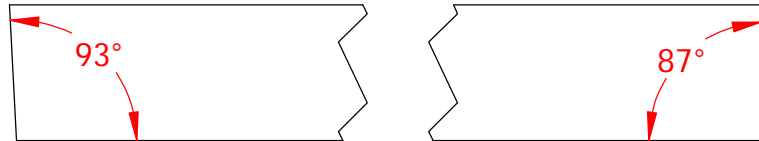
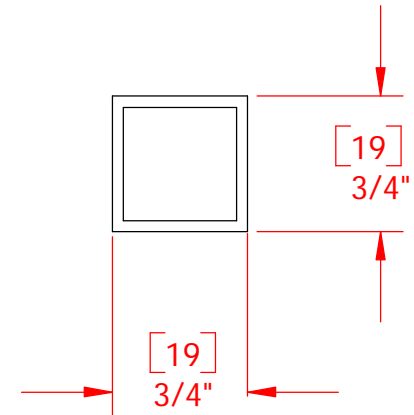
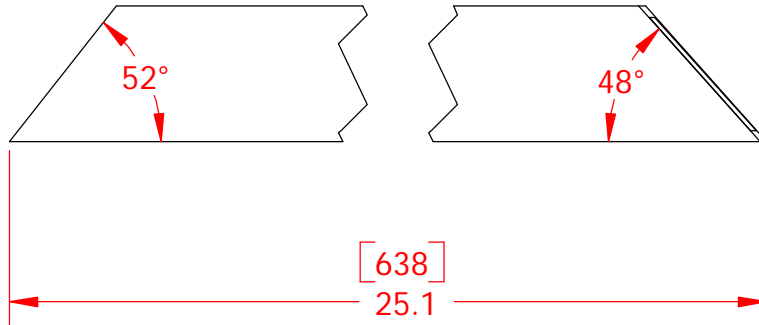
### BOOK CHASSIS

### REAR END LAYOUT

MATERIAL  
  
DO NOT SCALE DRAWING

SIZE <b>A</b>	DWG. NO. bookFrame	REV.
SCALE:1:8	WEIGHT:	SHEET 1 OF 1

**FOR EDUCATIONAL USE ONLY**  
 THE INFORMATION CONTAINED IN THIS DRAWING IS NOT INTENDED FOR USE IN THE CONSTRUCTION OR MANUFACTURE OF PARTS. THE INFORMATION IS PROVIDED WITHOUT WARRANTY FOR EDUCATIONAL REFERENCE ONLY.



DIMENSIONS ARE IN INCHES  
TOLERANCES:  
FRACTIONAL  $\pm 1/32$   
ANGULAR  $\pm 1^\circ$   
TWO PLACE DECIMAL  $\pm .03$   
THREE PLACE DECIMAL  $\pm .010$

## BOOK CHASSIS

### REAR END LEFT SIDE DIAGONAL SUPPORT MEMBER (W1)

#### FOR EDUCATIONAL USE ONLY

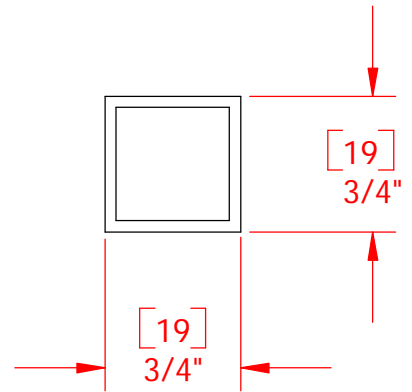
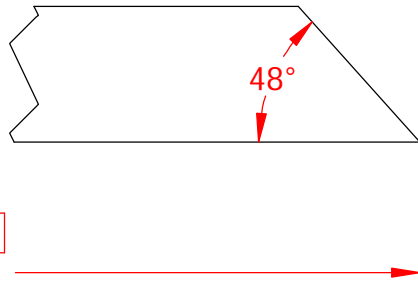
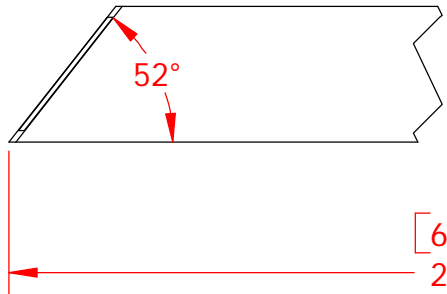
THE INFORMATION CONTAINED IN THIS DRAWING IS NOT INTENDED FOR USE IN THE CONSTRUCTION OR MANUFACTURE OF PARTS. THE INFORMATION IS PROVIDED WITHOUT WARRANTY FOR EDUCATIONAL REFERENCE ONLY.

MATERIAL  
STEEL - RHS  
3/4" X 3/4", 16swg

DO NOT SCALE DRAWING

SIZE <b>A</b>	DWG. NO. <b>W1</b>	REV.
------------------	-----------------------	------

SCALE:1:1	WEIGHT:	SHEET 1 OF 1
-----------	---------	--------------



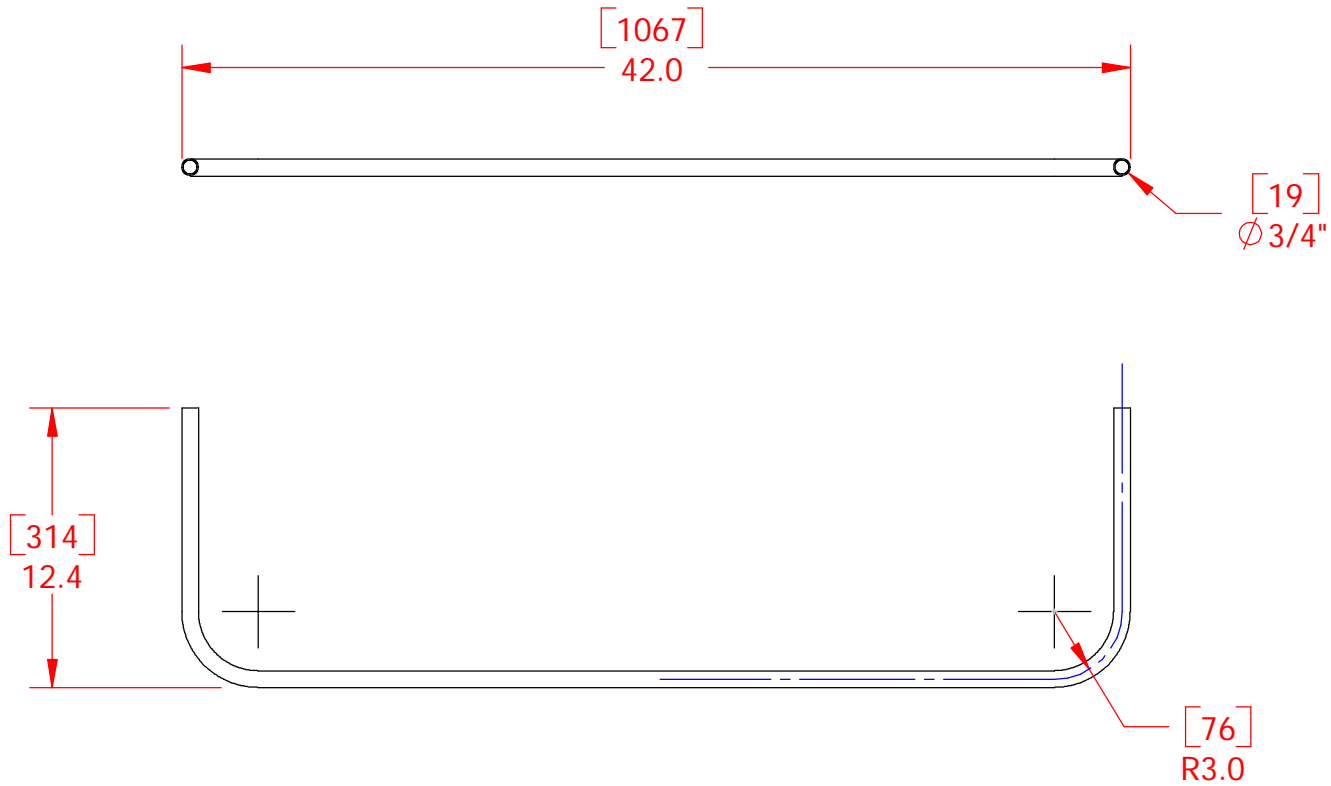
DIMENSIONS ARE IN INCHES  
 TOLERANCES:  
 FRACTIONAL  $\pm 1/32$   
 ANGULAR  $\pm 1^\circ$   
 TWO PLACE DECIMAL  $\pm .03$   
 THREE PLACE DECIMAL  $\pm .010$

**FOR EDUCATIONAL USE ONLY**  
 THE INFORMATION CONTAINED IN THIS DRAWING IS NOT INTENDED FOR USE IN THE CONSTRUCTION OR MANUFACTURE OF PARTS. THE INFORMATION IS PROVIDED WITHOUT WARRANTY FOR EDUCATIONAL REFERENCE ONLY.

MATERIAL  
**STEEL - RHS**  
**3/4" X 3/4", 16swg**  
 DO NOT SCALE DRAWING

<b>BOOK CHASSIS</b>		
<b>REAR END RIGHT SIDE DIAGONAL SUPPORT MEMBER (W2)</b>		
SIZE <b>A</b>	DWG. NO. <b>W2</b>	REV.
SCALE:1:1	WEIGHT:	SHEET 1 OF 1





**FOR EDUCATIONAL USE ONLY**  
 THE INFORMATION CONTAINED IN THIS DRAWING IS NOT INTENDED FOR USE IN THE CONSTRUCTION OR MANUFACTURE OF PARTS. THE INFORMATION IS PROVIDED WITHOUT WARRANTY FOR EDUCATIONAL REFERENCE ONLY.

DIMENSIONS ARE IN INCHES  
 TOLERANCES:  
 FRACTIONAL ± 1/32  
 ANGULAR ± 1°  
 TWO PLACE DECIMAL ± .03  
 THREE PLACE DECIMAL ± .010

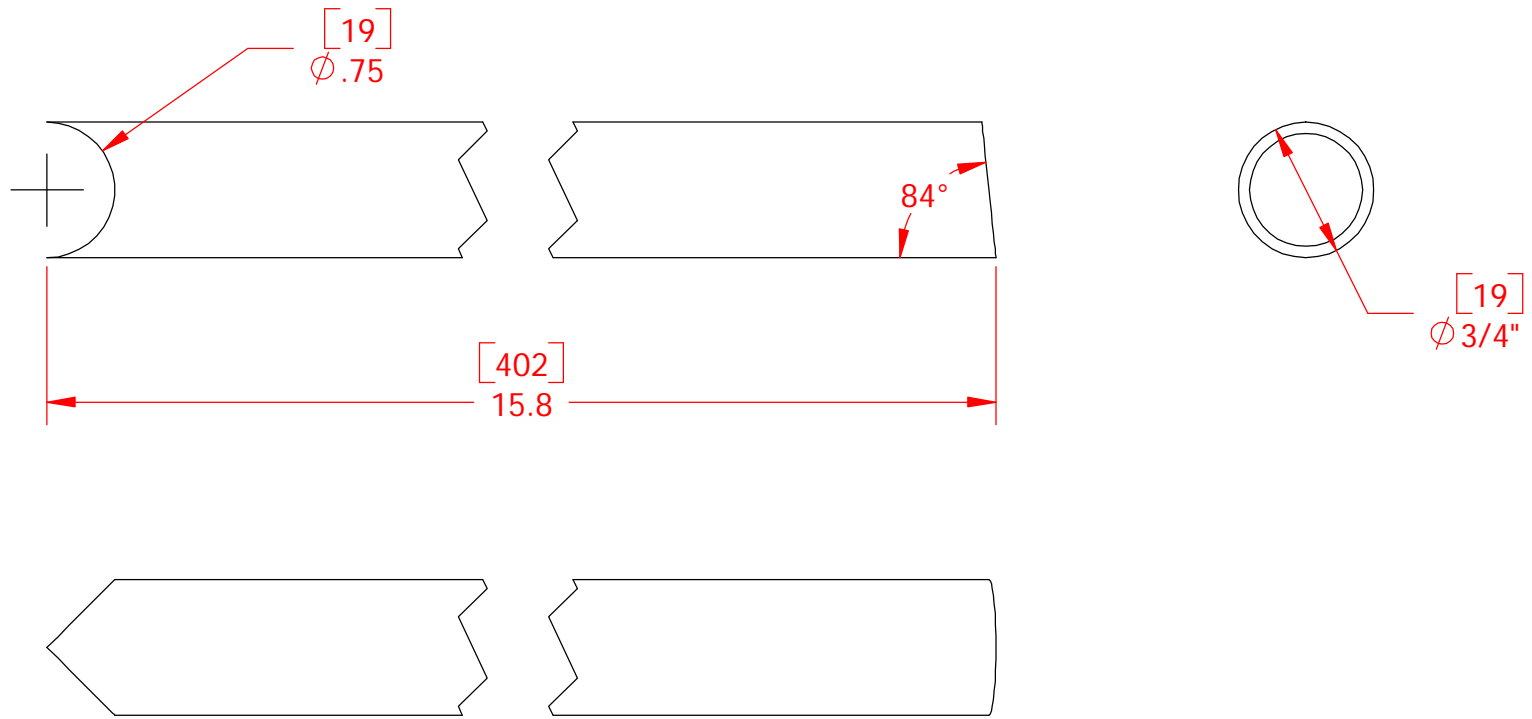
MATERIAL  
**STEEL - TUBE**  
 $\Phi 3/4"$

DO NOT SCALE DRAWING

**BOOK CHASSIS**

**REAR END  
 TOP TUBE**

SIZE <b>A</b>	DWG. NO. rearTopTube	REV.
SCALE:1:8	WEIGHT:	SHEET 1 OF 1



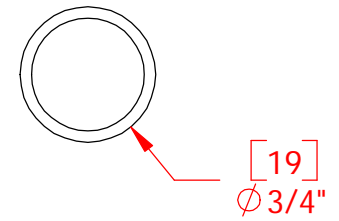
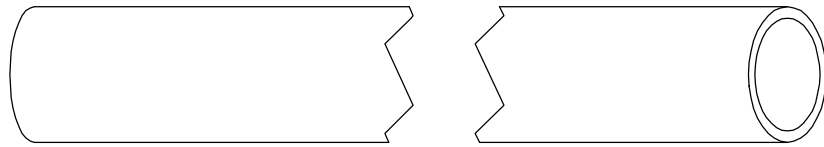
DIMENSIONS ARE IN INCHES  
 TOLERANCES:  
 FRACTIONAL  $\pm 1/32$   
 ANGULAR  $\pm 1^\circ$   
 TWO PLACE DECIMAL  $\pm .03$   
 THREE PLACE DECIMAL  $\pm .010$

**BOOK CHASSIS**  
**REAR END UPRIGHT**  
**SUPPORT TUBE**  
**(X3 & X4)**

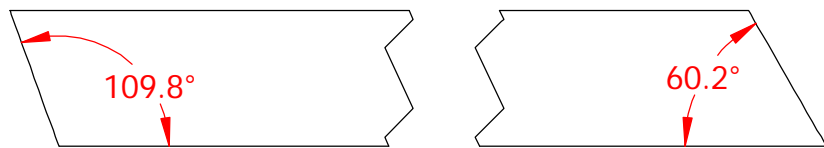
**FOR EDUCATIONAL USE ONLY**  
 THE INFORMATION CONTAINED IN THIS DRAWING IS NOT INTENDED FOR USE IN THE CONSTRUCTION OR MANUFACTURE OF PARTS. THE INFORMATION IS PROVIDED WITHOUT WARRANTY FOR EDUCATIONAL REFERENCE ONLY.

MATERIAL  
**STEEL - TUBE**  
 $\phi 3/4"$   
 DO NOT SCALE DRAWING

SIZE <b>A</b>	DWG. NO. <b>X3_4</b>	REV.
SCALE:1:1	WEIGHT:	SHEET 1 OF 1



NOTE: OVERALL LENGTH = 18.9 [480]



DIMENSIONS ARE IN INCHES  
 TOLERANCES:  
 FRACTIONAL  $\pm 1/32$   
 ANGULAR  $\pm 1^\circ$   
 TWO PLACE DECIMAL  $\pm .03$   
 THREE PLACE DECIMAL  $\pm .010$

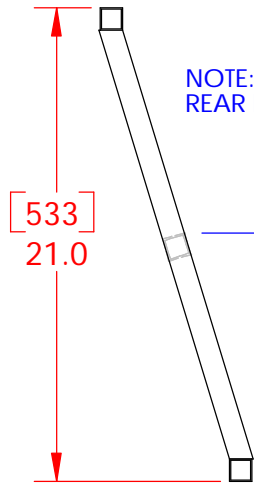
**BOOK CHASSIS**

**REAR END DIAGONAL  
 BODY PANEL SUPPORT  
 (X1 & X2)**

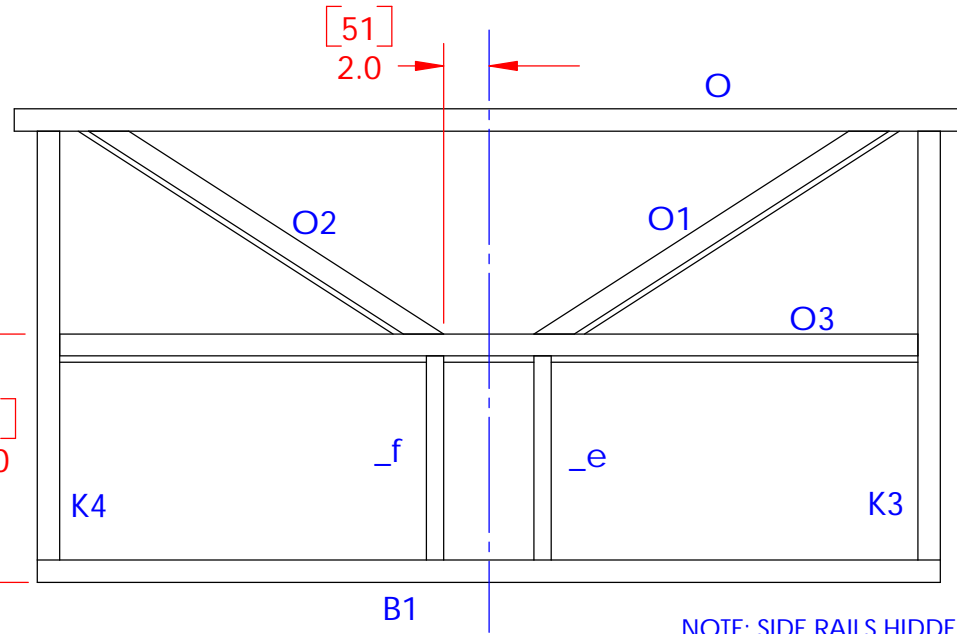
**FOR EDUCATIONAL USE ONLY**  
 THE INFORMATION CONTAINED IN THIS  
 DRAWING IS NOT INTENDED FOR USE IN  
 THE CONSTRUCTION OR MANUFACTURE  
 OF PARTS. THE INFORMATION IS PROVIDED  
 WITHOUT WARRANTY FOR EDUCATIONAL  
 REFERENCE ONLY.

MATERIAL  
**STEEL - TUBE  
 3/4" DIAM.**  
 DO NOT SCALE DRAWING

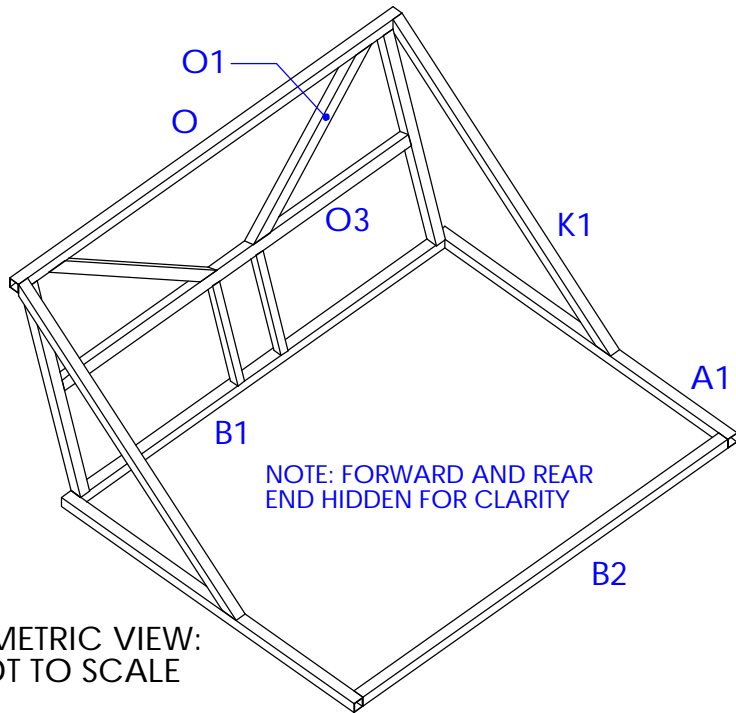
SIZE <b>A</b>	DWG. NO. <b>X1_2</b>	REV.
SCALE:1:1	WEIGHT:	SHEET 1 OF 1



NOTE: SIDE VIEW OF REAR BULKHEAD ONLY



NOTE: SIDE RAILS HIDDEN IN FRONT VIEW FOR CLARIDY



NOTE: FORWARD AND REAR END HIDDEN FOR CLARITY

ISOMETRIC VIEW:  
NOT TO SCALE

DIMENSIONS ARE IN INCHES  
TOLERANCES:  
FRACTIONAL  $\pm 1/32$   
ANGULAR  $\pm 1^\circ$   
TWO PLACE DECIMAL  $\pm .03$   
THREE PLACE DECIMAL  $\pm .010$

MATERIAL

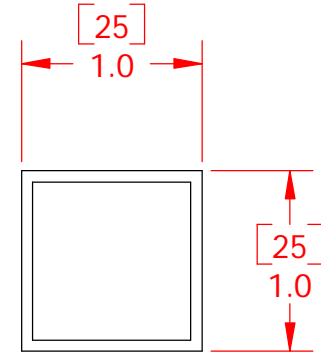
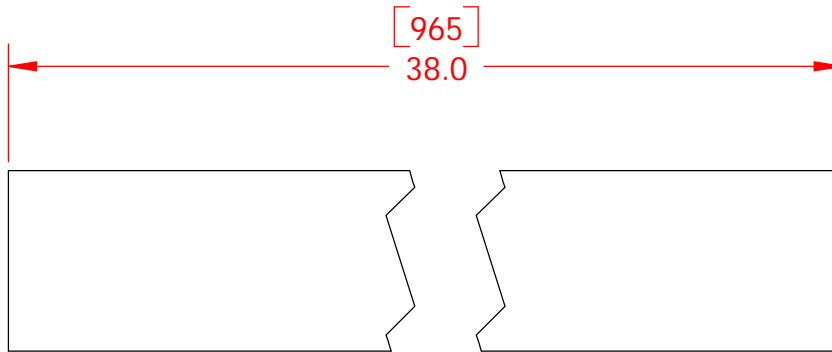
DO NOT SCALE DRAWING

## BOOK CHASSIS

### REAR BULKHEAD LAYOUT

SIZE <b>A</b>	DWG. NO. bookFrame	REV.
SCALE:1:1	WEIGHT:	SHEET 1 OF 1

**FOR EDUCATIONAL USE ONLY**  
THE INFORMATION CONTAINED IN THIS DRAWING IS NOT INTENDED FOR USE IN THE CONSTRUCTION OR MANUFACTURE OF PARTS. THE INFORMATION IS PROVIDED WITHOUT WARRANTY FOR EDUCATIONAL REFERENCE ONLY.



DIMENSIONS ARE IN INCHES  
 TOLERANCES:  
 FRACTIONAL  $\pm 1/32$   
 ANGULAR  $\pm 1^\circ$   
 TWO PLACE DECIMAL  $\pm .03$   
 THREE PLACE DECIMAL  $\pm .010$

## BOOK CHASSIS

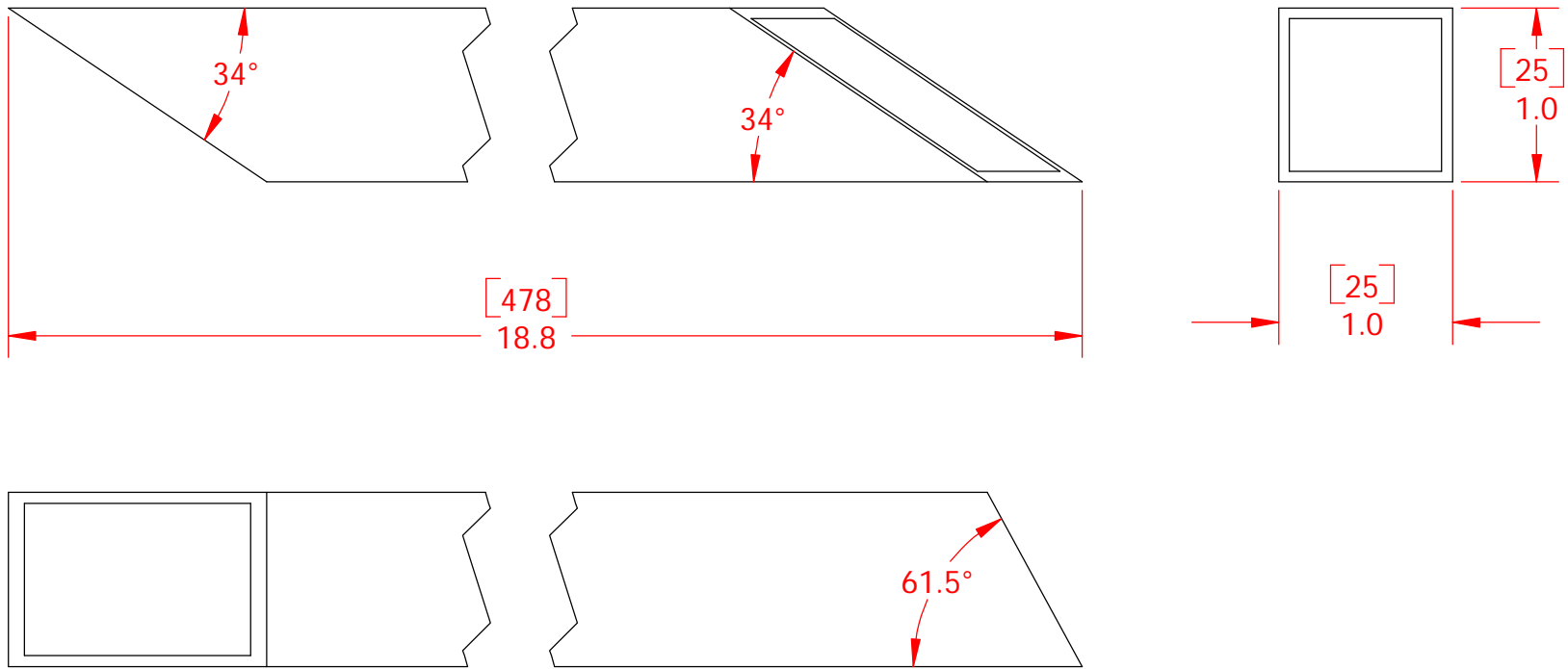
### REAR BULKHEAD CENTER CROSS RAIL (O3)

**FOR EDUCATIONAL USE ONLY**  
 THE INFORMATION CONTAINED IN THIS  
 DRAWING IS NOT INTENDED FOR USE IN  
 THE CONSTRUCTION OR MANUFACTURE  
 OF PARTS. THE INFORMATION IS PROVIDED  
 WITHOUT WARRANTY FOR EDUCATIONAL  
 REFERENCE ONLY.

MATERIAL  
**STEEL - RHS  
 1"x1", 16swg**

DO NOT SCALE DRAWING

SIZE <b>A</b>	DWG. NO. <b>O3</b>	REV.
SCALE:1:1	WEIGHT:	SHEET 1 OF 1



DIMENSIONS ARE IN INCHES  
 TOLERANCES:  
 FRACTIONAL ± 1/32  
 ANGULAR ± 1°  
 TWO PLACE DECIMAL ± .03  
 THREE PLACE DECIMAL ± .010

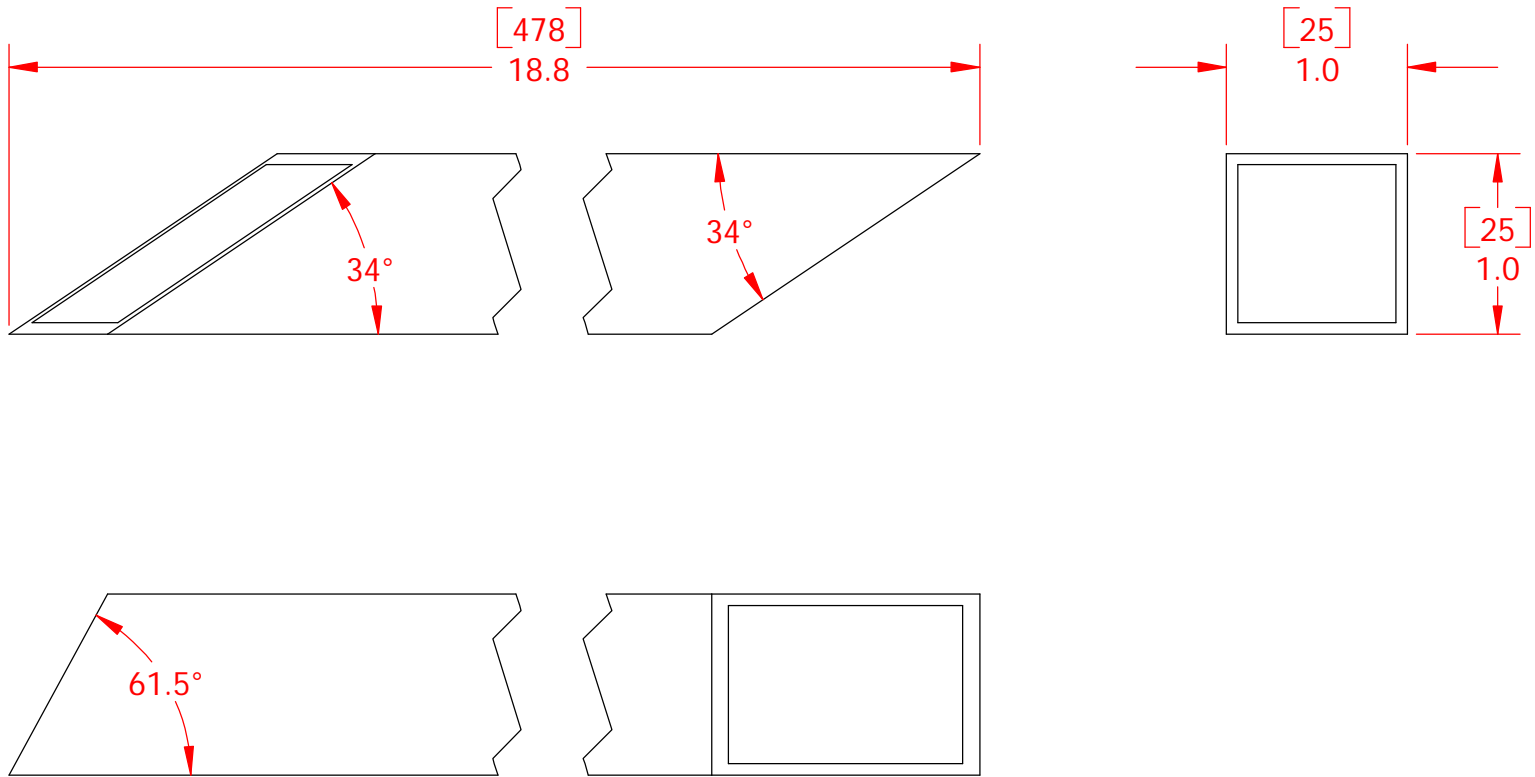
<b>BOOK CHASSIS</b>		
<b>REAR BULHEAD LEFT SIDE DIAGONAL SUPPORT MEMBER (O1)</b>		
SIZE <b>A</b>	DWG. NO. <b>O1</b>	REV.
SCALE: 1:1	WEIGHT:	SHEET 1 OF 1

**FOR EDUCATIONAL USE ONLY**

THE INFORMATION CONTAINED IN THIS DRAWING IS NOT INTENDED FOR USE IN THE CONSTRUCTION OR MANUFACTURE OF PARTS. THE INFORMATION IS PROVIDED WITHOUT WARRANTY FOR EDUCATIONAL REFERENCE ONLY.

MATERIAL  
**STEEL - RHS  
 1"X1", 16swg**

DO NOT SCALE DRAWING



DIMENSIONS ARE IN INCHES  
 TOLERANCES:  
 FRACTIONAL  $\pm 1/32$   
 ANGULAR  $\pm 1^\circ$   
 TWO PLACE DECIMAL  $\pm .03$   
 THREE PLACE DECIMAL  $\pm .010$

## BOOK CHASSIS

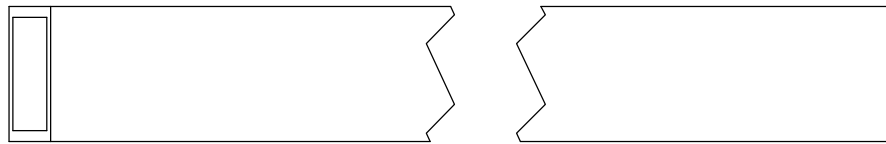
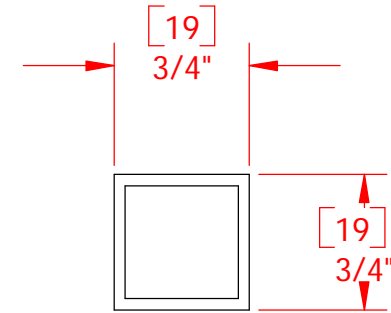
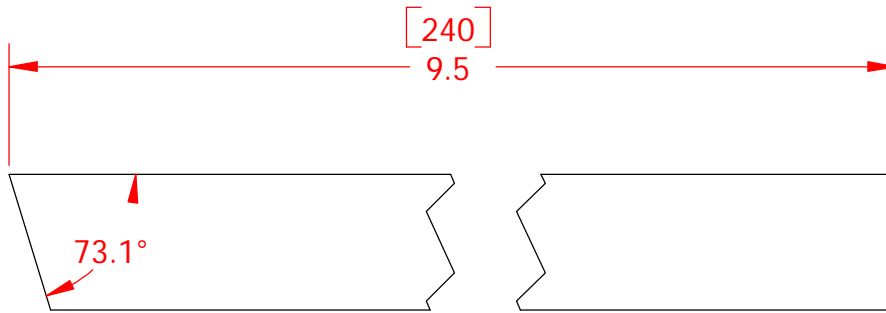
### REAR BULKHEAD RIGHT SIDE DIAGONAL SUPPORT MEMBER (O2)

**FOR EDUCATIONAL USE ONLY**  
 THE INFORMATION CONTAINED IN THIS  
 DRAWING IS NOT INTENDED FOR USE IN  
 THE CONSTRUCTION OR MANUFACTURE  
 OF PARTS. THE INFORMATION IS PROVIDED  
 WITHOUT WARRANTY FOR EDUCATIONAL  
 REFERENCE ONLY.

MATERIAL  
**STEEL - RHS**  
**1"X1", 16swg**

DO NOT SCALE DRAWING

SIZE <b>A</b>	DWG. NO. <b>O2</b>	REV.
SCALE:1:1	WEIGHT:	SHEET 1 OF 1



DIMENSIONS ARE IN INCHES  
 TOLERANCES:  
 FRACTIONAL  $\pm 1/32$   
 ANGULAR  $\pm 1^\circ$   
 TWO PLACE DECIMAL  $\pm .03$   
 THREE PLACE DECIMAL  $\pm .010$

## BOOK CHASSIS

### REAR BULKHEAD TRANSMISSION TUNNEL UPRIGHT (e&f)

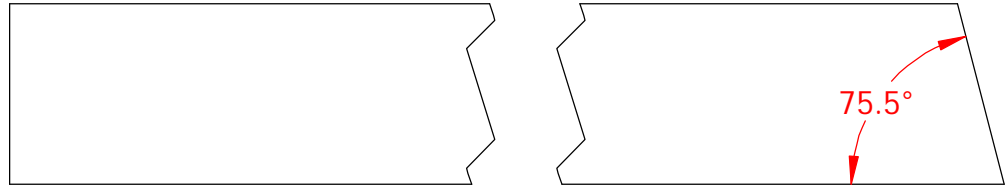
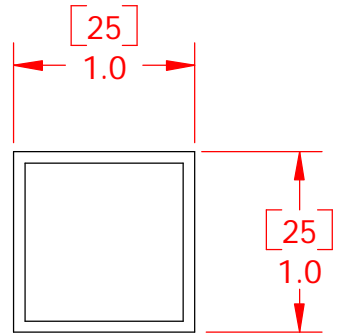
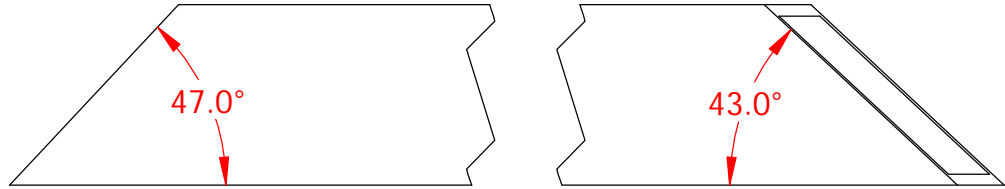
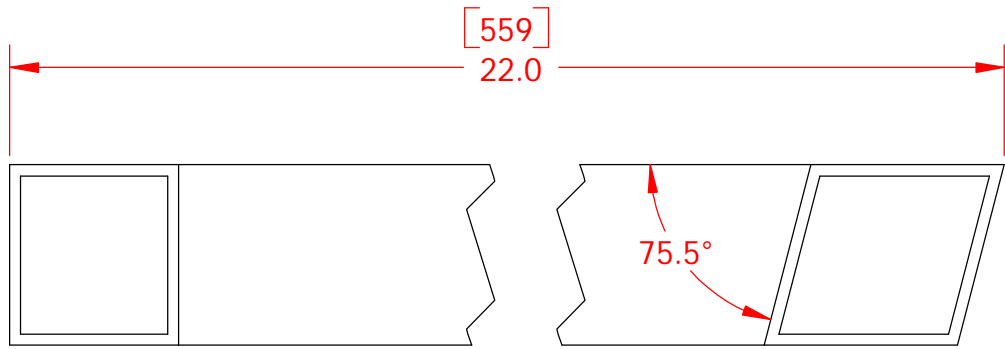
**FOR EDUCATIONAL USE ONLY**  
 THE INFORMATION CONTAINED IN THIS  
 DRAWING IS NOT INTENDED FOR USE IN  
 THE CONSTRUCTION OR MANUFACTURE  
 OF PARTS. THE INFORMATION IS PROVIDED  
 WITHOUT WARRANTY FOR EDUCATIONAL  
 REFERENCE ONLY.

MATERIAL  
**STEEL - RHS**  
**3/4"X3/4", 16swg**

DO NOT SCALE DRAWING

SIZE <b>A</b>	DWG. NO. trans_e_f	REV.
SCALE:1:1	WEIGHT:	SHEET 1 OF 1





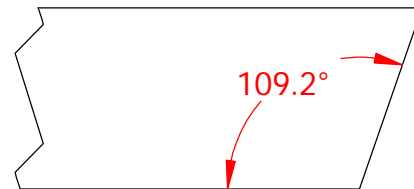
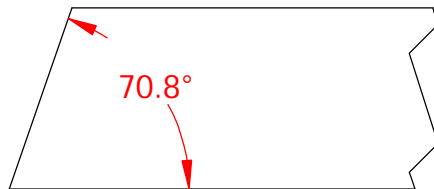
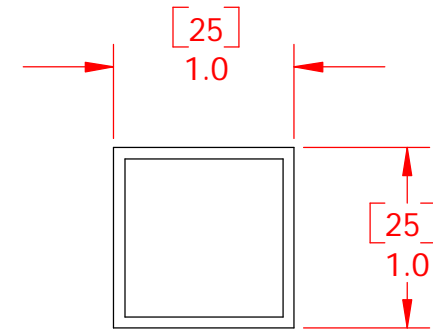
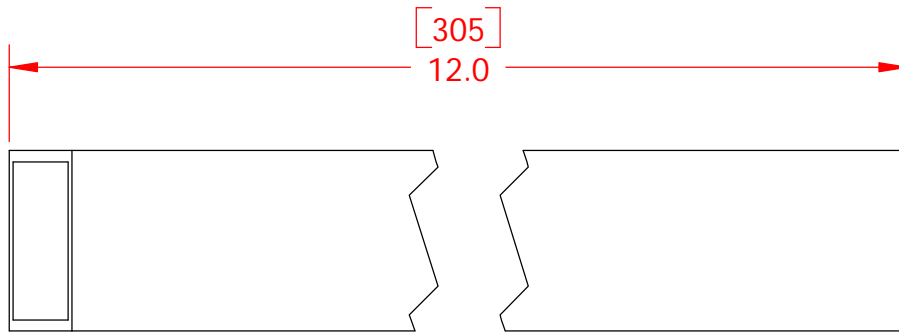
DIMENSIONS ARE IN INCHES  
TOLERANCES:  
FRACTIONAL  $\pm 1/32$   
ANGULAR  $\pm 1^\circ$   
TWO PLACE DECIMAL  $\pm .03$   
THREE PLACE DECIMAL  $\pm .010$

**BOOK CHASSIS**  
**REAR END DIAGONAL**  
**SUPPORT MEMBER**  
**(Z)**

**FOR EDUCATIONAL USE ONLY**  
THE INFORMATION CONTAINED IN THIS DRAWING IS NOT INTENDED FOR USE IN THE CONSTRUCTION OR MANUFACTURE OF PARTS. THE INFORMATION IS PROVIDED WITHOUT WARRANTY FOR EDUCATIONAL REFERENCE ONLY.

MATERIAL  
**STEEL - RHS**  
**1"x1", 16swg**  
DO NOT SCALE DRAWING

SIZE <b>A</b>	DWG. NO. <b>Z</b>	REV.
SCALE:1:1	WEIGHT:	SHEET 1 OF 1



DIMENSIONS ARE IN INCHES  
 TOLERANCES:  
 FRACTIONAL  $\pm 1/32$   
 ANGULAR  $\pm 1^\circ$   
 TWO PLACE DECIMAL  $\pm .03$   
 THREE PLACE DECIMAL  $\pm .010$

## BOOK CHASSIS

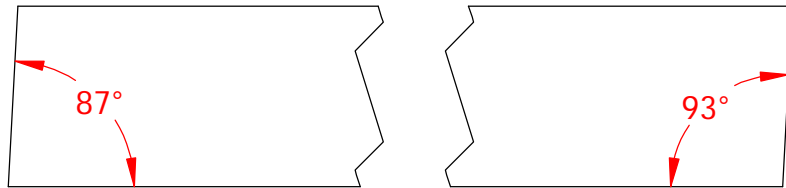
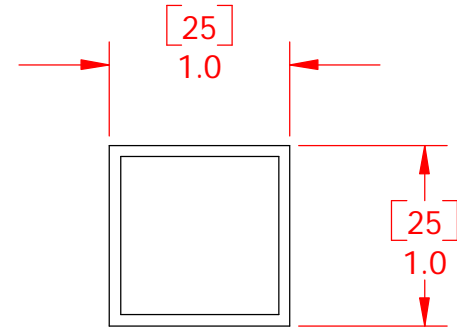
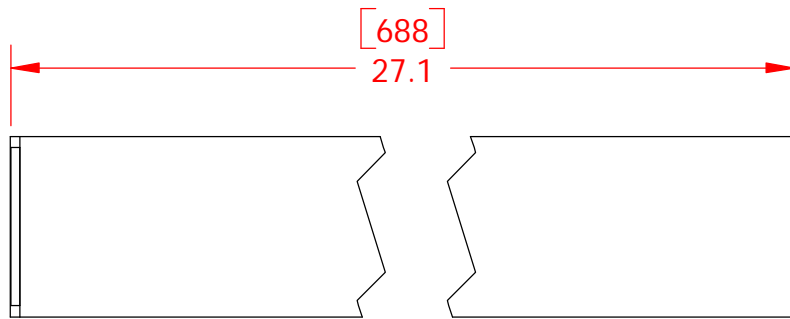
### FRONT SUSPENSION SUPPORT MEMBER (FU1&FU2)

**FOR EDUCATIONAL USE ONLY**  
 THE INFORMATION CONTAINED IN THIS  
 DRAWING IS NOT INTENDED FOR USE IN  
 THE CONSTRUCTION OR MANUFACTURE  
 OF PARTS. THE INFORMATION IS PROVIDED  
 WITHOUT WARRANTY FOR EDUCATIONAL  
 REFERENCE ONLY.

MATERIAL  
**STEEL - RHS  
 1"X1", 16swg**

DO NOT SCALE DRAWING

SIZE <b>A</b>	DWG. NO. <b>FU</b>	REV.
SCALE:1:1	WEIGHT:	SHEET 1 OF 1



DIMENSIONS ARE IN INCHES  
TOLERANCES:  
FRACTIONAL  $\pm 1/32$   
ANGULAR  $\pm 1^\circ$   
TWO PLACE DECIMAL  $\pm .03$   
THREE PLACE DECIMAL  $\pm .010$

## BOOK CHASSIS

### ENGINE MOUNT BOTTOM INSIDE RAIL (G1 & G2)

#### FOR EDUCATIONAL USE ONLY

THE INFORMATION CONTAINED IN THIS DRAWING IS NOT INTENDED FOR USE IN THE CONSTRUCTION OR MANUFACTURE OF PARTS. THE INFORMATION IS PROVIDED WITHOUT WARRANTY FOR EDUCATIONAL REFERENCE ONLY.

#### MATERIAL

STEEL - RHS  
1"x1", 16swg

DO NOT SCALE DRAWING

SIZE  
A

DWG. NO.

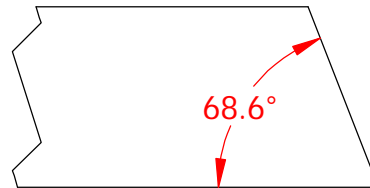
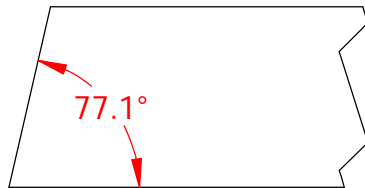
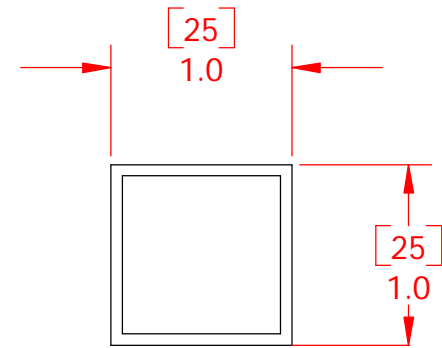
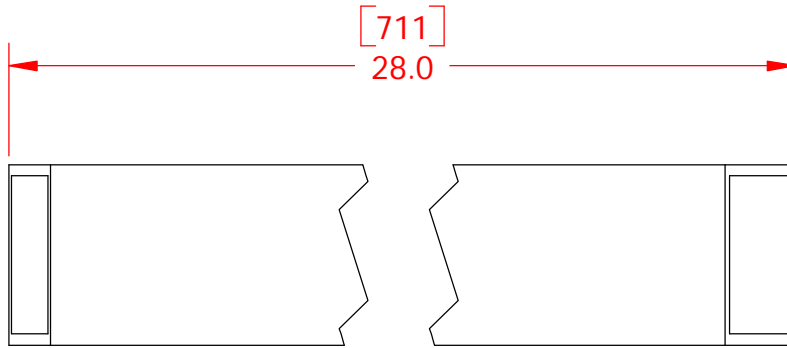
G

REV.

SCALE:1:1

WEIGHT:

SHEET 1 OF 1



DIMENSIONS ARE IN INCHES  
 TOLERANCES:  
 FRACTIONAL  $\pm 1/32$   
 ANGULAR  $\pm 1^\circ$   
 TWO PLACE DECIMAL  $\pm .03$   
 THREE PLACE DECIMAL  $\pm .010$

**BOOK CHASSIS**  
**ENGINE BAY**  
**STRENGTH MEMBER**  
**(R)**

**FOR EDUCATIONAL USE ONLY**  
 THE INFORMATION CONTAINED IN THIS  
 DRAWING IS NOT INTENDED FOR USE IN  
 THE CONSTRUCTION OR MANUFACTURE  
 OF PARTS. THE INFORMATION IS PROVIDED  
 WITHOUT WARRANTY FOR EDUCATIONAL  
 REFERENCE ONLY.

MATERIAL  
**STEEL - RHS**  
**1"x1", 16swg**  
 DO NOT SCALE DRAWING

SIZE <b>A</b>	DWG. NO. <b>R</b>	REV.
SCALE:1:1		