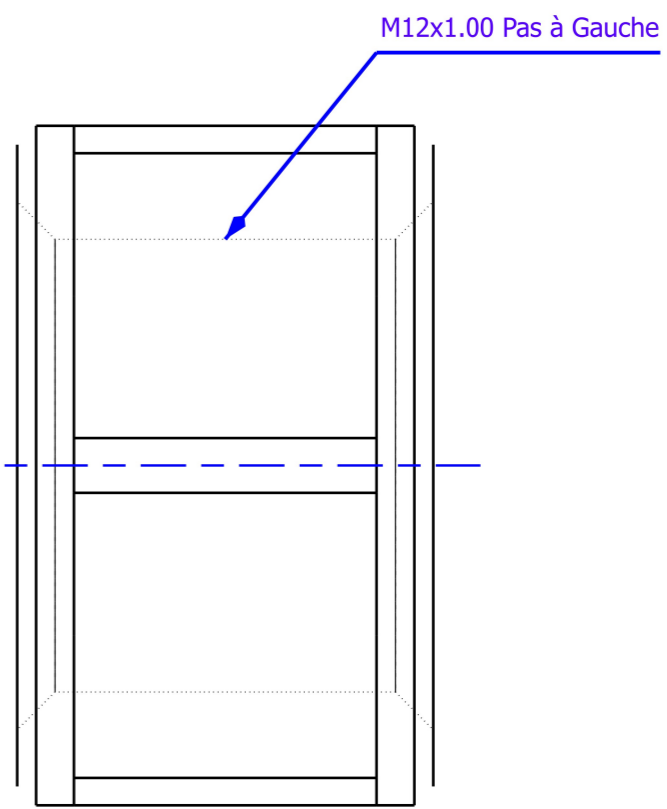
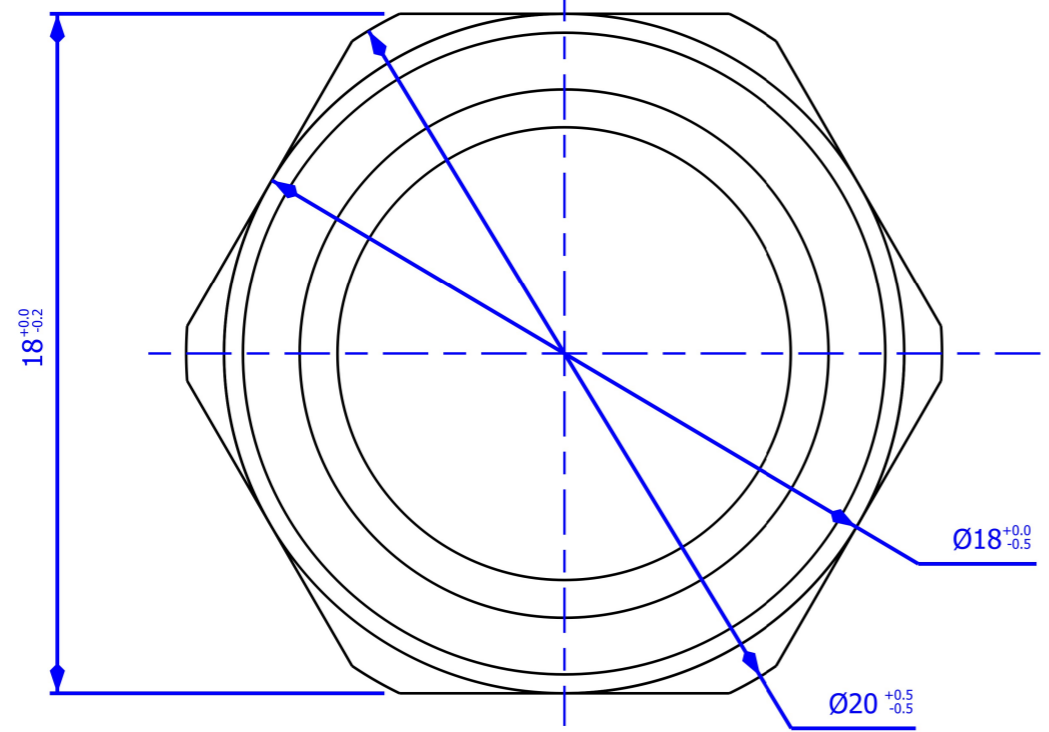
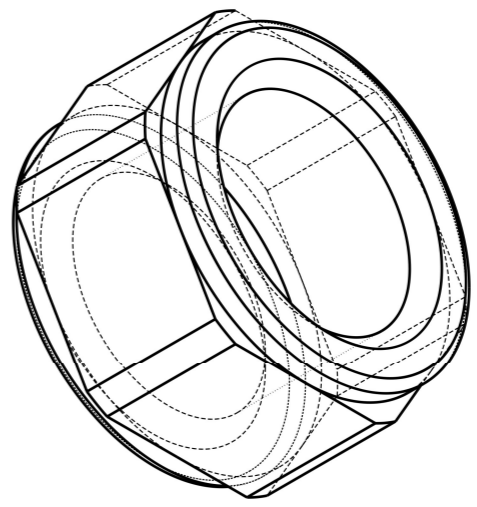
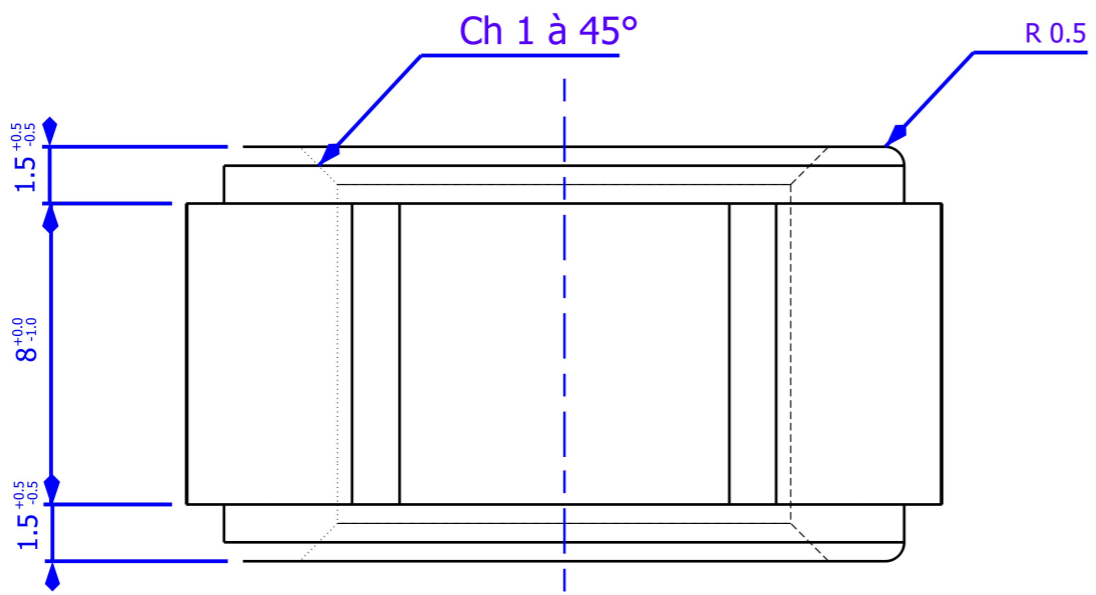


H G F E D C B A



DESIGNED BY:
BOULLIER Quentin
DATE:
26/03/2021
CHECKED BY:
BOULLIER Quentin
DATE:
26/03/2021
SIZE
A3
SCALE
5:1
WEIGHT (kg)
WEIGHT
DRAWING NUMBER
NUMBER
SHEET
1/1

TALBOT MATRA Murena
Contre Ecrou Rotule Direction M12X1.0 Pas à Gauche

| | |
|---|---|
| I | - |
| H | - |
| G | - |
| F | - |
| E | - |
| D | - |
| C | - |
| B | - |
| A | - |

This drawing is our property; it can't be reproduced or communicated without our written agreement.

H G B A