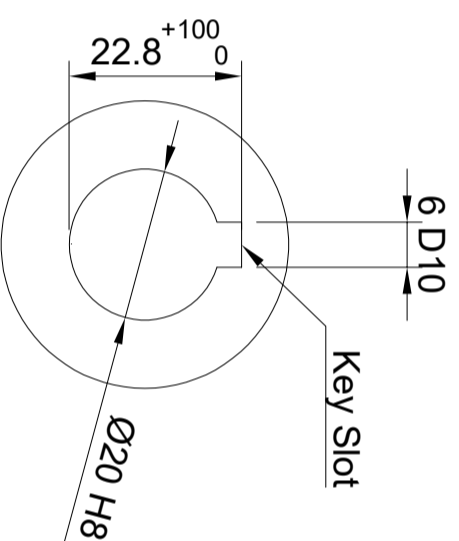
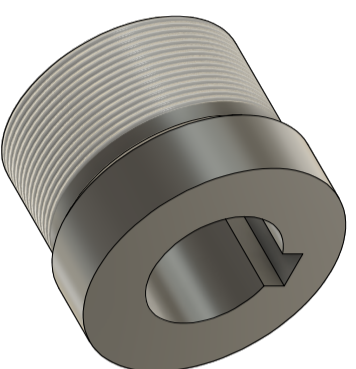


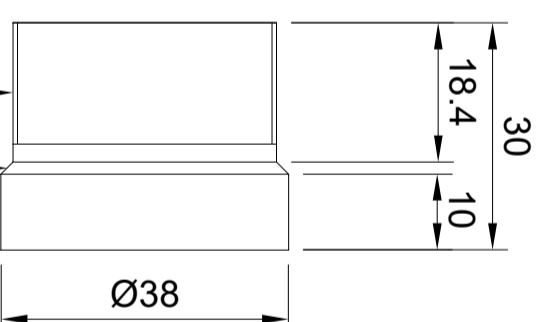
All dimensions are in mm except for the thread

6 D10 is [-78µm;+30µm]
 20 H8 is [0 µm;+33µm]

Threading can go toward chamfer



Thread for freewheel 1.375in x 24tpi



45° Chamfer

General Tolerances

- Dimensions from 0.5 to 3 mm ± 0.1 mm
- Dimensions from 3 to 6 mm ± 0.1 mm
- Dimensions from 6 to 30 mm ± 0.2 mm
- Dimensions from 30 to 120 mm ± 0.3 mm

Dept.	Technical reference	Created by	Approved by
		Guis Maker	
		13/03/2021	
		Document type	Document status
		Freewheel and disk brake adapter	
		Title	DWG No.
Rev.	Date of issue	Sheet	
A	14/03/2021	1/1	