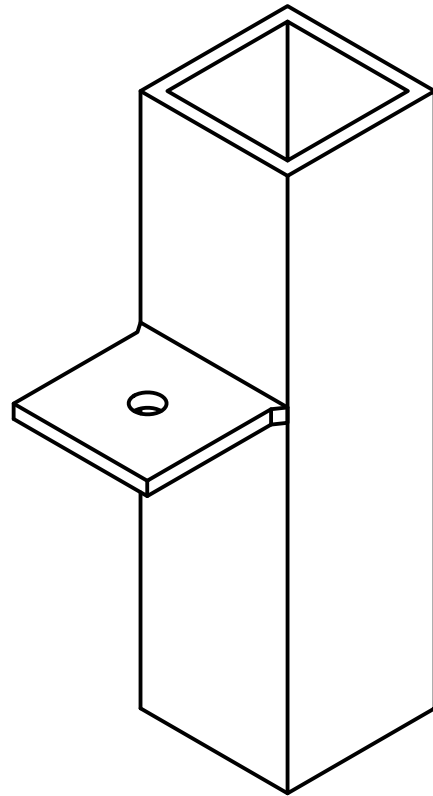
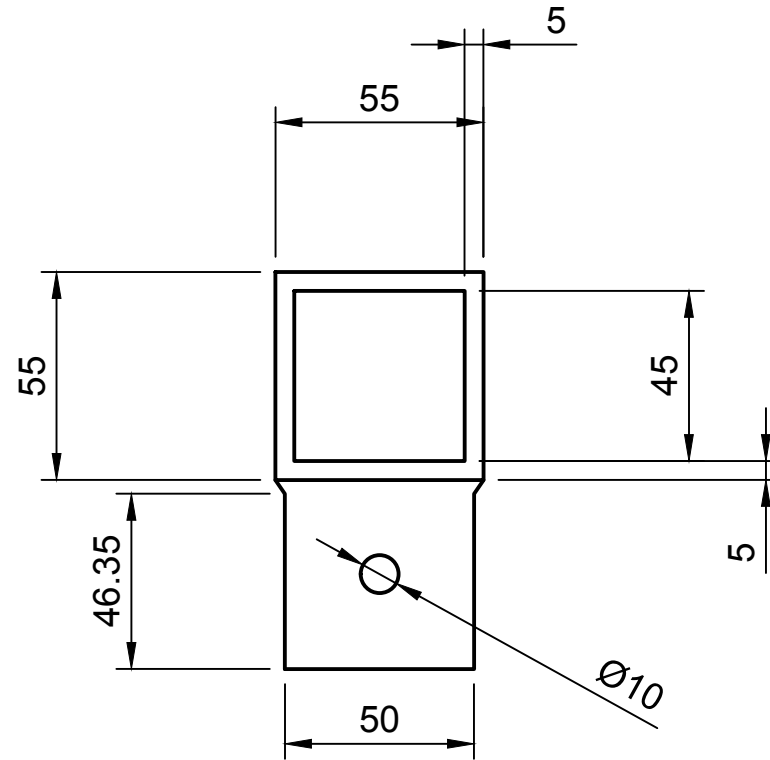


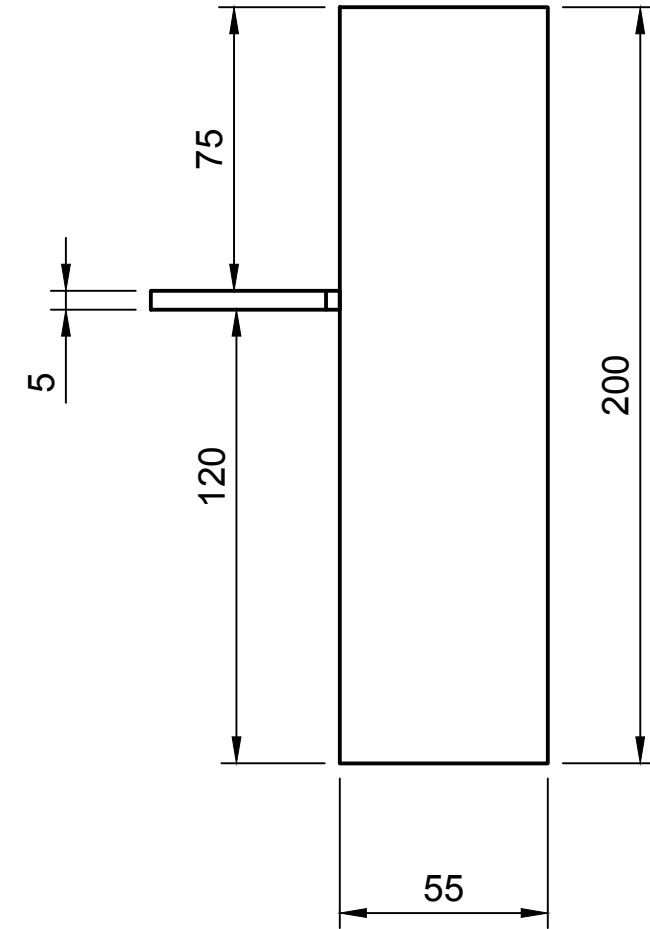
Vue générale



Vue dessus



Vue profil



Dept.	Technical reference	Created by F-tools	21/03/2021	Approved by	
		Document type	Document status		
		Title Pièce axe machine	DWG No.		
		Rev.	Date of issue	Sheet 1/1	