
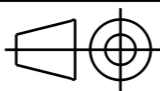


DESIGNED BY: Boullier Quentin		TALBOT MATRA Murena Support Silentbloc Echappement	
DATE: 13/03/2021			
CHECKED BY: Boullier Quentin			
DATE: 13/03/2021			
SIZE A3		DRAWING NUMBER	SHEET
SCALE 3:2	WEIGHT (kg) WEIGHT	NUMBER	1/1

This drawing is our property; it can't be reproduced or communicated without our written agreement.

I	-
H	-
G	-
F	-
E	-
D	-
C	-
B	-
A	-