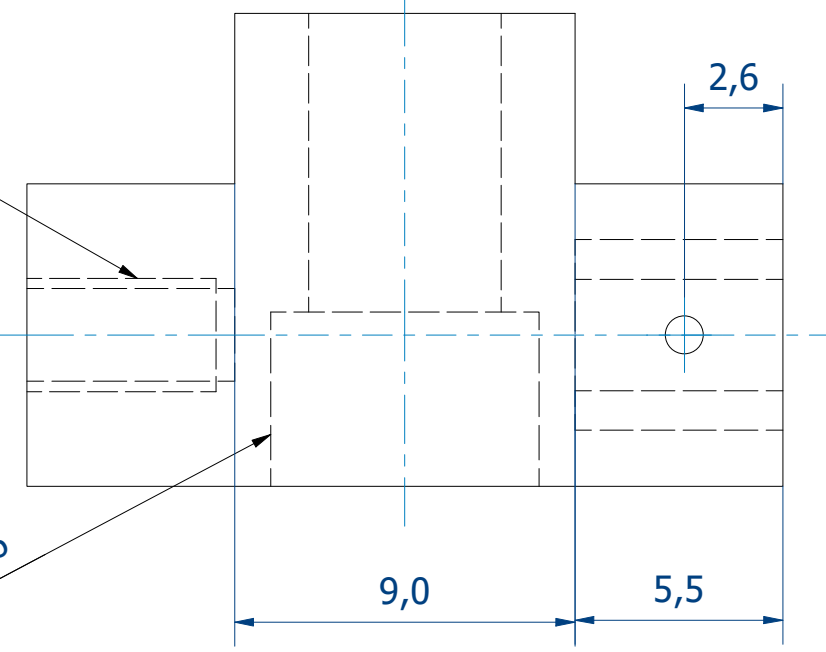


M3x0.5 - 6H
Thread $\nabla 5,00$

$\nabla \text{Ø}5,050 \text{ H7 } (+0,012 / -0,000)$

$\nabla \text{Ø}5,10 \pm 0,05 \text{ THRU}$
 $\nabla \text{Ø}7,10 \pm 0,05 \nabla 4,6$



General Tolerances: ISO 2768 mK (except when specified)		Date: 05/02/2021	
General Surface Roughness: Ra = 1.6 max (except when specified)			
All dimensions in mm	Scale 5 : 1	Material: Aluminum 6061 Treatment:	
Part Number (Issue) P001(A)			Sheet format A3
Arbre pivot moteur (v2.0)			Page 1/1

CONFIDENTIAL