

H G F E D C B A

4

4

3

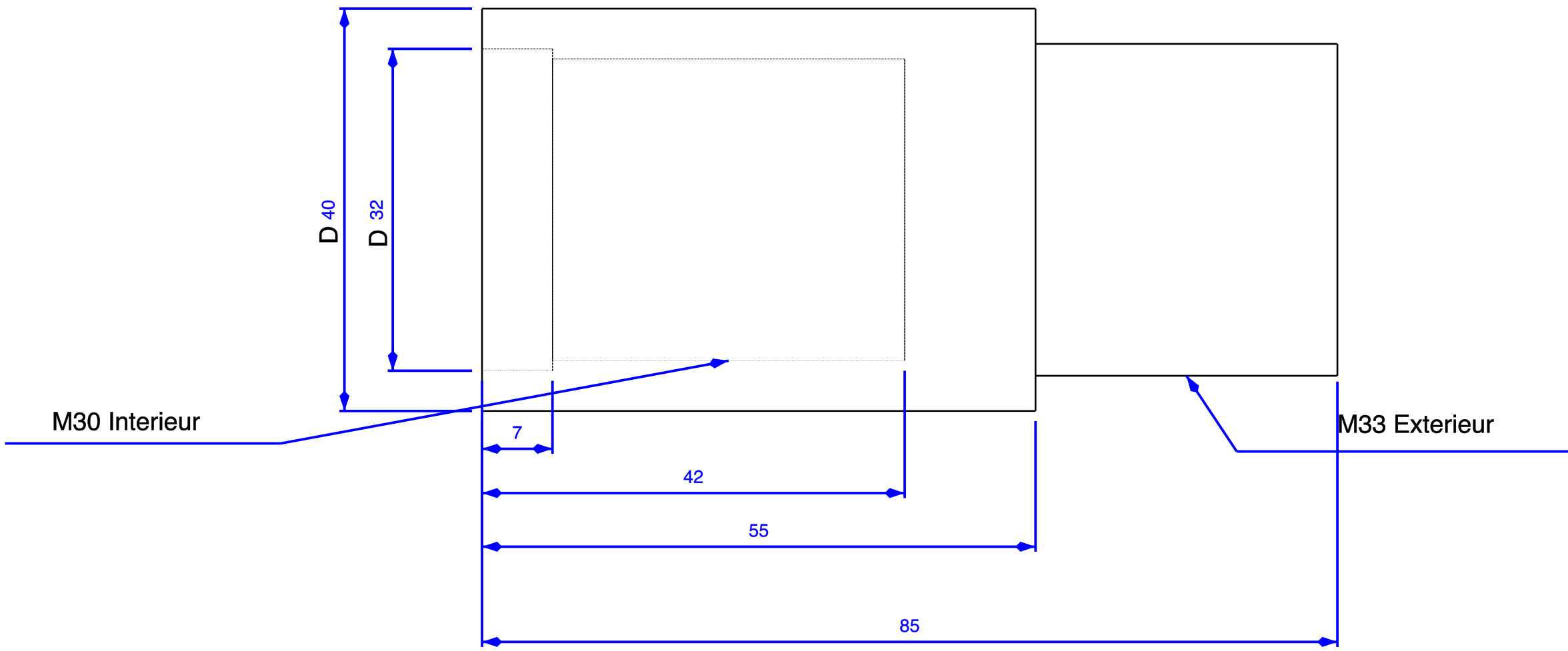
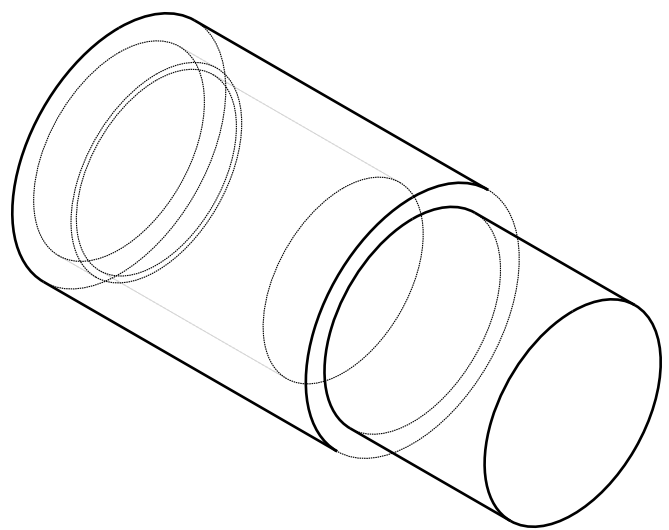
3

2

2

1

1



DESIGNED BY: AUTHOR NAME		TITLE		I	-
DATE: CREATION DATE				H	-
CHECKED BY: SUPERVISOR NAME		SUBTITLE		G	-
DATE: CHECK DATE				F	-
SIZE <b>A3</b>		DRAWING NUMBER		E	-
SCALE	WEIGHT (kg)			D	-
SCALE	WEIGHT	NUMBER		C	-
				B	-
This drawing is our property; it can't be reproduced or communicated without our written agreement.				A	-

H G F E D C B A