

D

C

B

A

Filtage M3

13.5°

2

23

108°

R1

45°

27°

Vue de face

A

R15.25

∅3

20.5

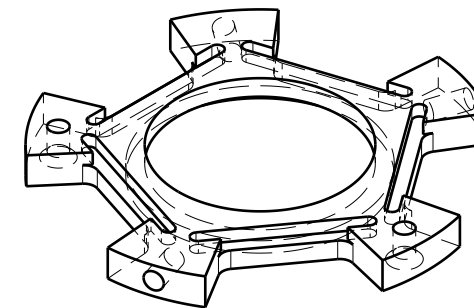
R2

R17.75

∅62

A

Vue de derriere



Vue isométrique

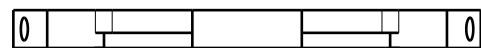
5

2

2

1 x 45°

Coupe A-A



Vue de dessus

Date 17/02/2021		Title <i>Bague Principale ULYSSE</i>	
Author Gaëtan RENAULT			
Size A4		AEROIPSA	
Scale 1:1	Ref mm	Version 1.1	Sheet 1/1
This drawing is our property; it can't be reproduced or communicated without our written agreement.			

D

A