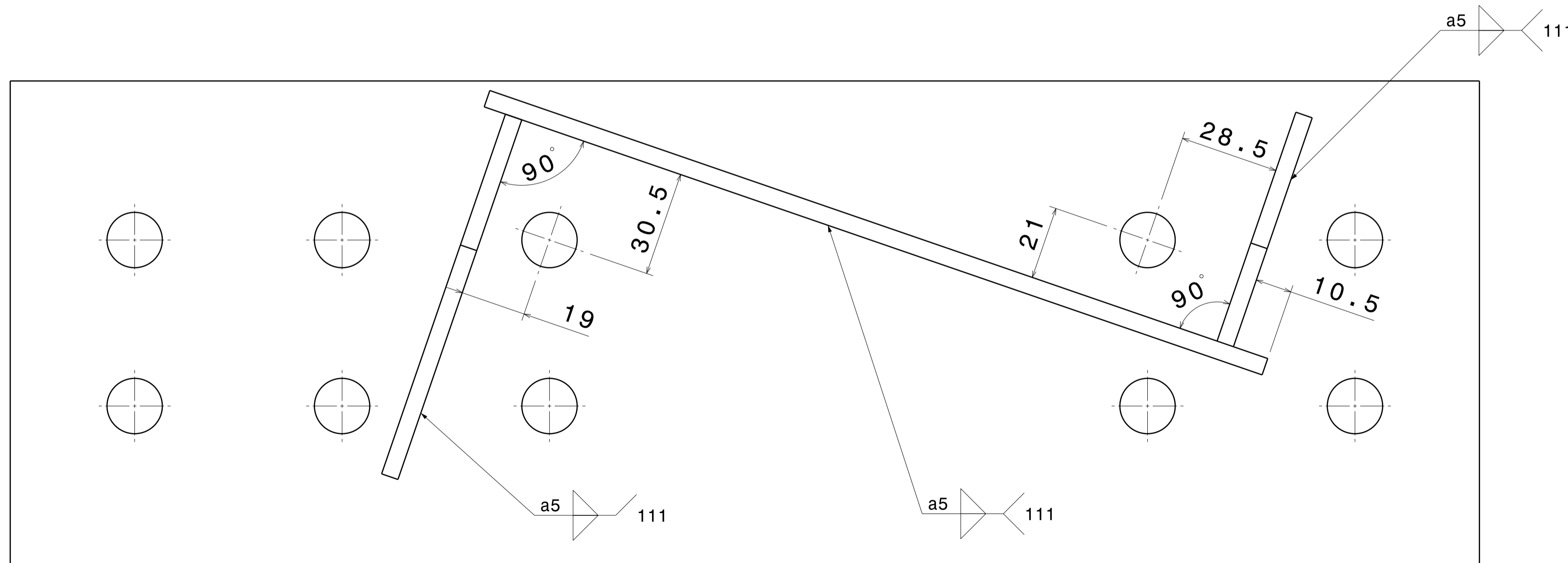


Pour consultation uniquement



TOLERANCE GENERALE +/- 1mm

Quantité : 2

This drawing is our property. It can't be reproduced or communicated without our written agreement.		H1-001		
DRAWN BY BOUJOT		DRAWING TITLE FERRURE LATERALE		
CHECKED BY BOUJOT		DATE 05/02/2021	SIZE A1	DRAWING NUMBER P-002-066
DESIGNED BY BOUJOT		DATE 05/02/2021	SCALE	WEIGHT (kg)
		SHEET	1/1	