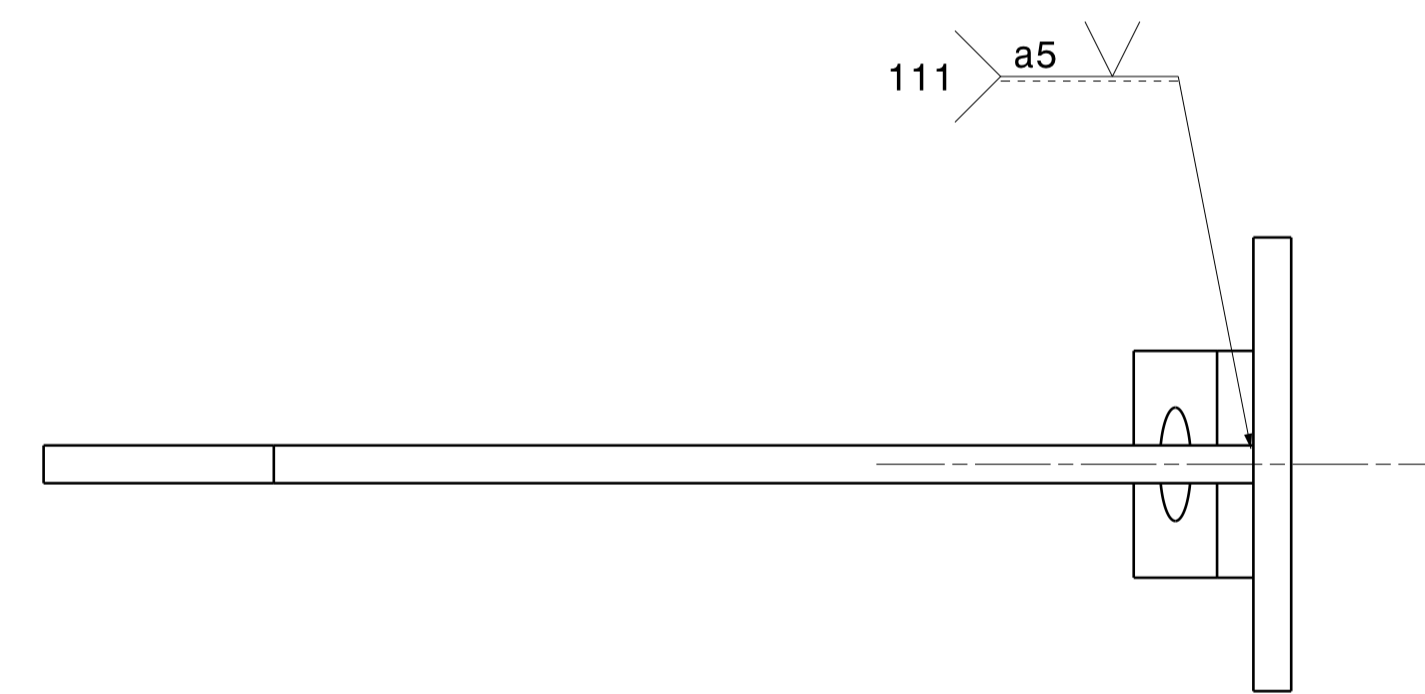
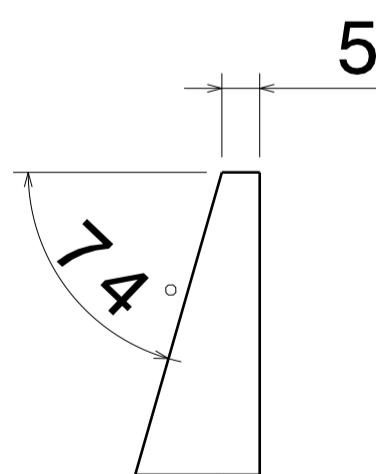
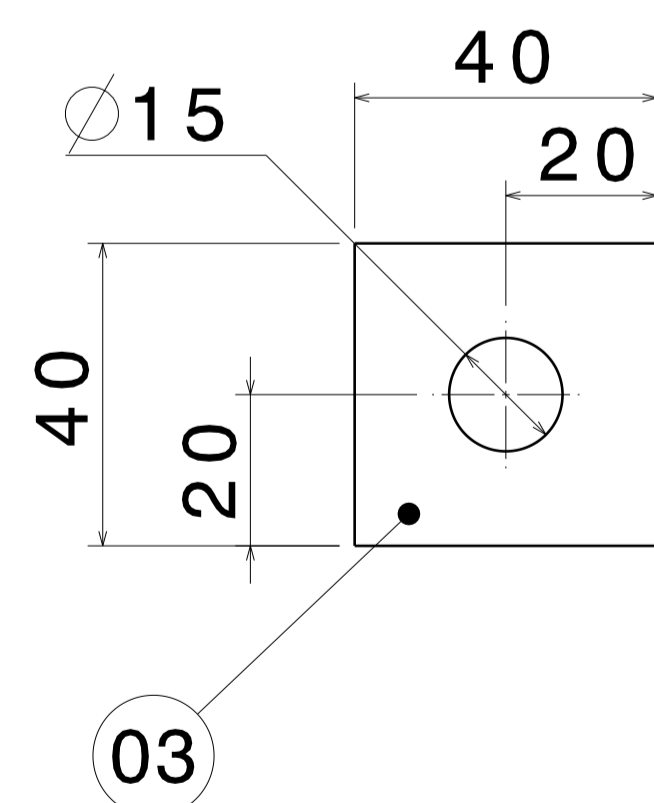
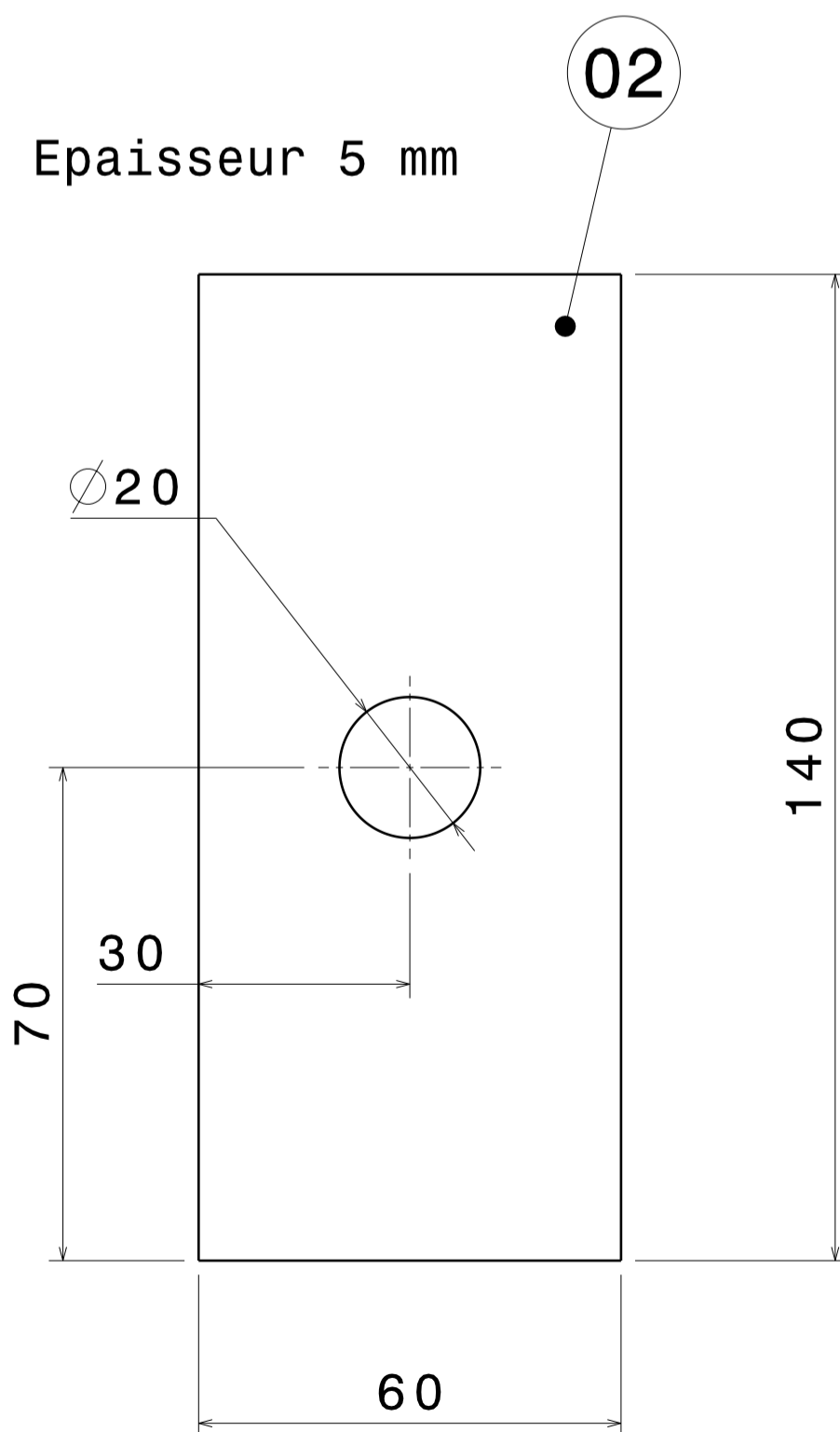
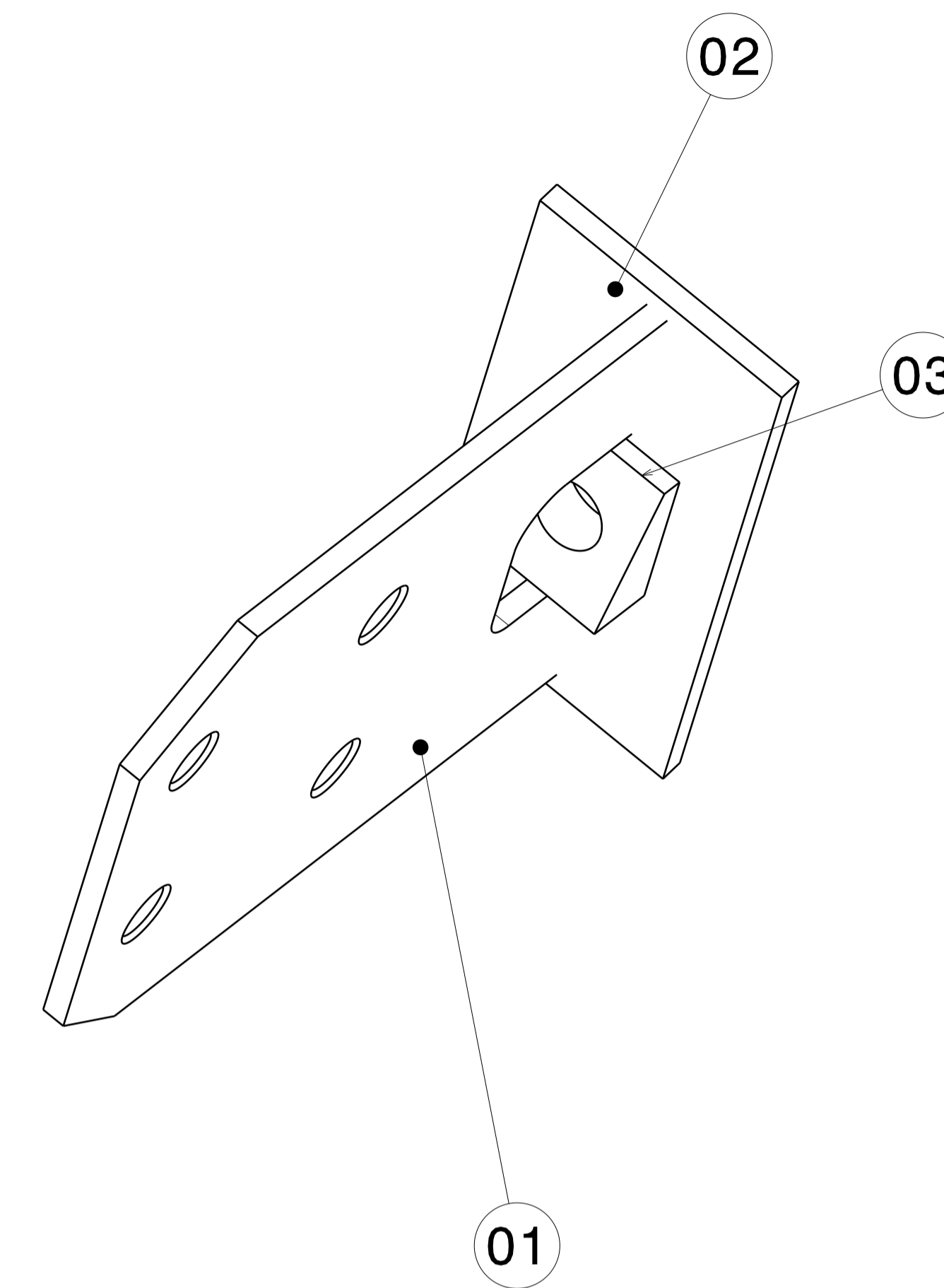


Vue de face
Echelle : 1:1



Tolérance générale +/- 1 mm

**Pour consultation
uniquement**

QUANTITE: 4

This drawing is our property. It can't be reproduced or communicated without our written agreement.		H1-001		
DRAWN BY BOUJOT		DRAWING TITLE Ferrure Haute		
CHECKED BY BOUJOT	DATE 24/10/2020	SIZE A1	DRAWING NUMBER P-002-052	REV 0
DESIGNED BY BOUJOT	DATE 24/10/2020	SCALE 1:1	WEIGHT(kg) -	SHEET 1/1