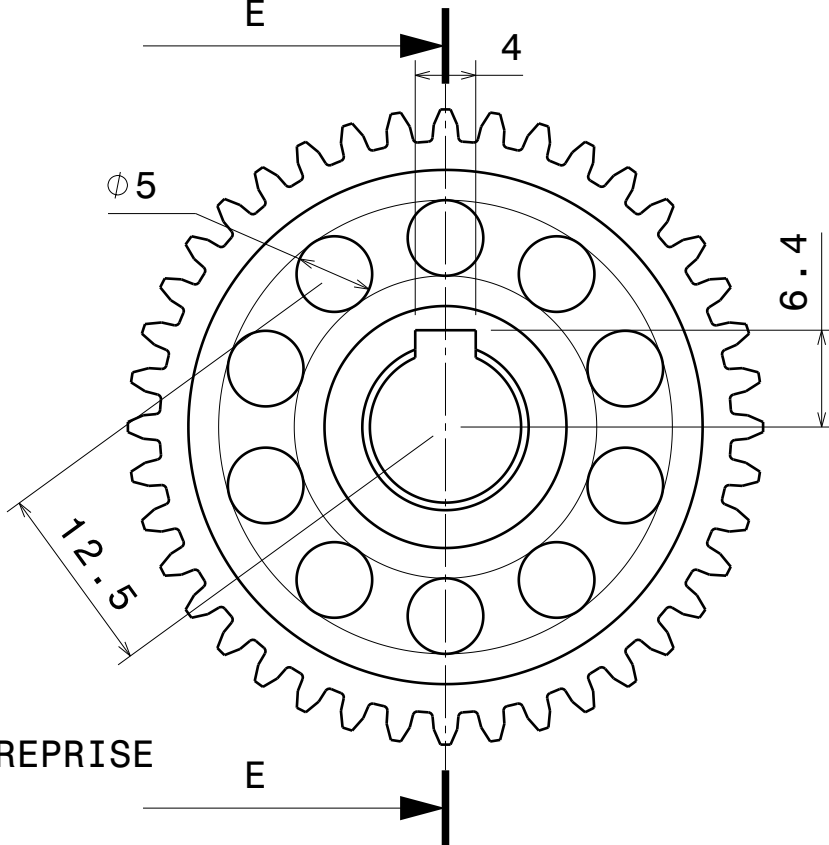
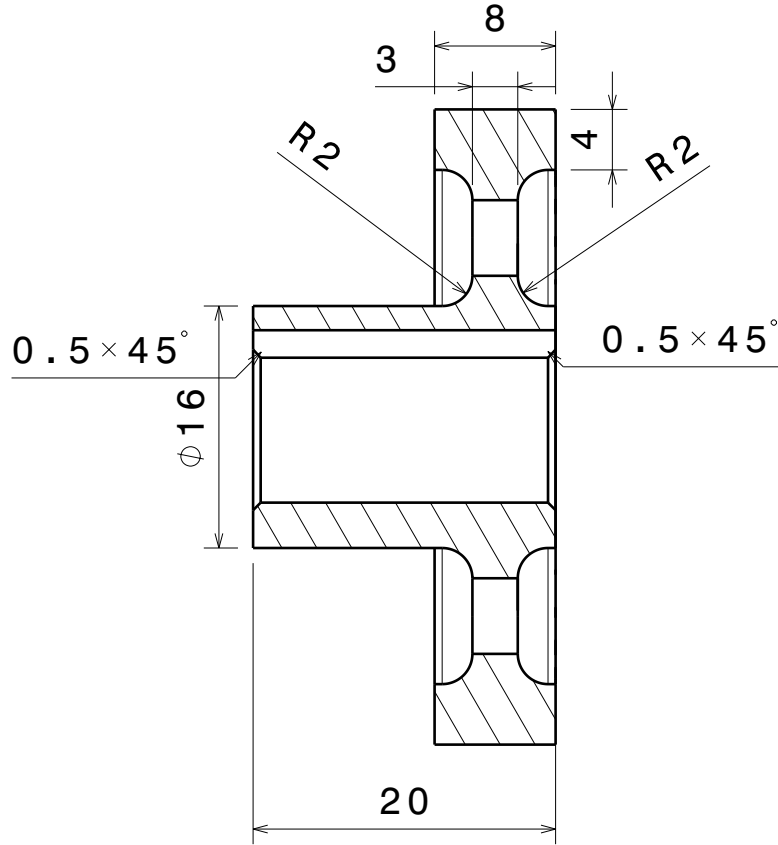


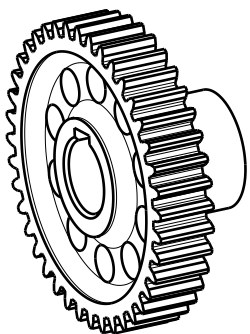
PIGNON AVANT REPRISE



Vue de face
Echelle : 2:1



Coupe E-E
Echelle : 2:1



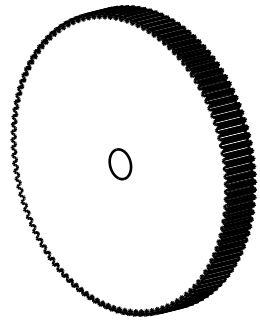
PIGNON APRES REPRISE

DESIGNED BY: Robin	
DATE: 26/12/2020	
CHECKED BY: XXX	
DATE: XXX	
SIZE A4	
SCALE 1:1	WEIGHT (kg) 0,03

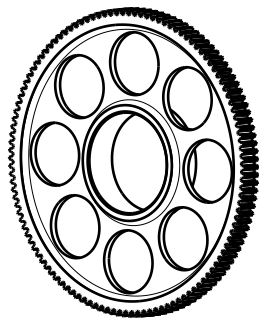
<h1>Reprise pignon 40</h1>	
DRAWING NUMBER Brut fourni	
SHEET 1/1	

I	-
H	-
G	-
F	-
E	-
D	-
C	-
B	-
A	-

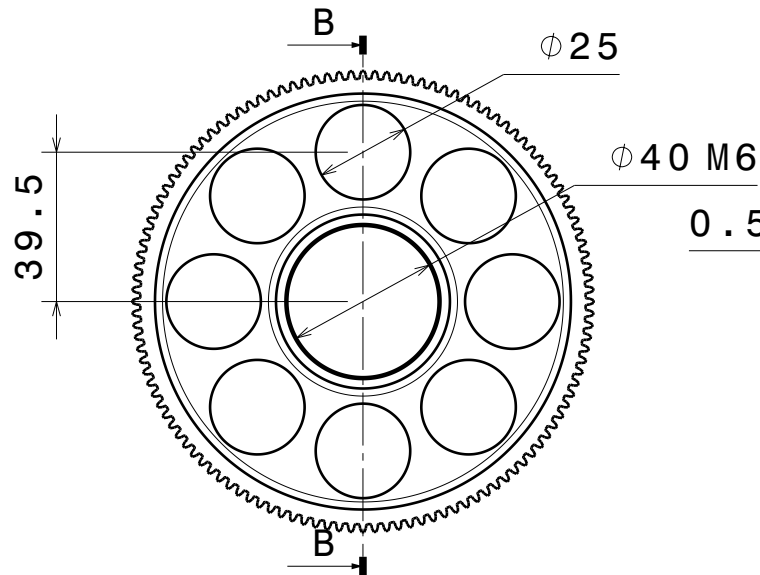
This drawing is our property; it can't be reproduced or communicated without our written agreement.



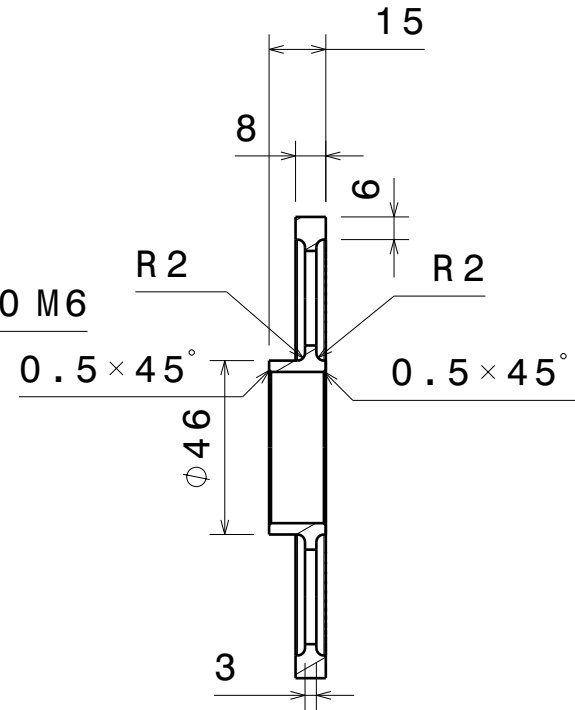
PIGNON AVANT REPRISE



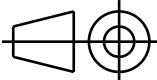
PIGNON APRES REPRISE

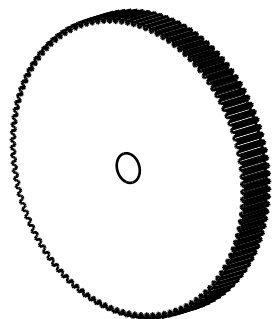


Vue de face
Echelle : 1:2

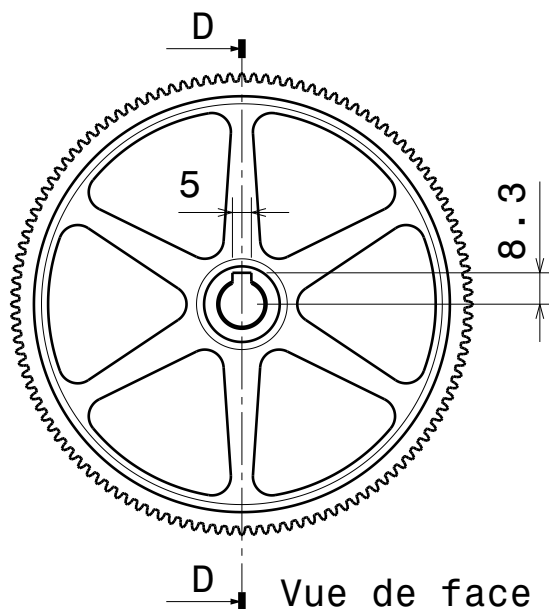


Coupe B-B
Echelle : 1:2

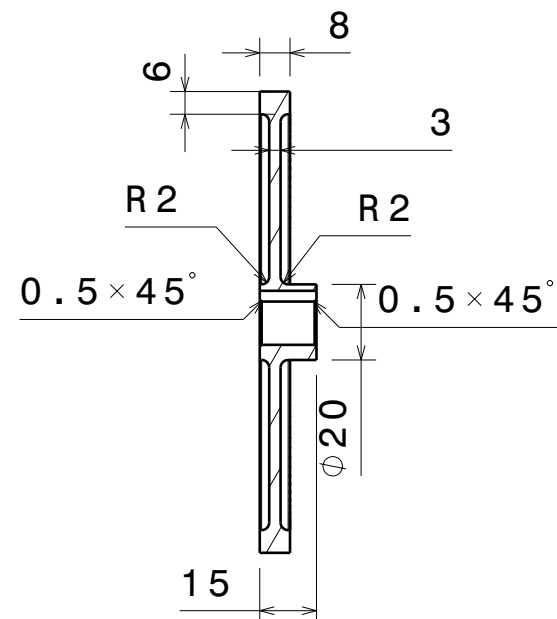
DESIGNED BY: Robin		Reprise pignon 120 dents crabot elec		I	-
DATE: 26/12/2020				H	-
CHECKED BY: XXX		PV3e		G	-
DATE: XXX				F	-
SIZE A4		Brut fourni		E	-
SCALE 1:1	WEIGHT (kg) 0,03			D	-
DRAWING NUMBER		SHEET		C	-
		1 / 1		B	-
This drawing is our property; it can't be reproduced or communicated without our written agreement.				A	-



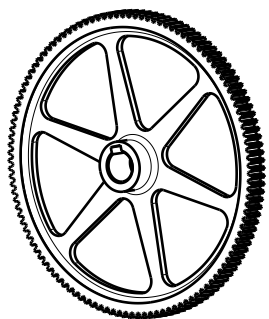
PIGNON AVANT REPRISE



Vue de face
Echelle : 1:2

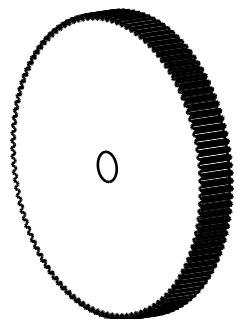


Coupe D-D
Echelle : 1:2

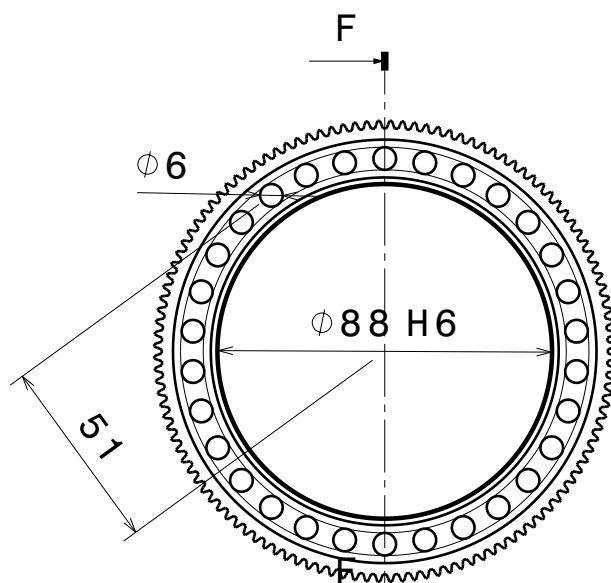


PIGNON APRES REPRISE

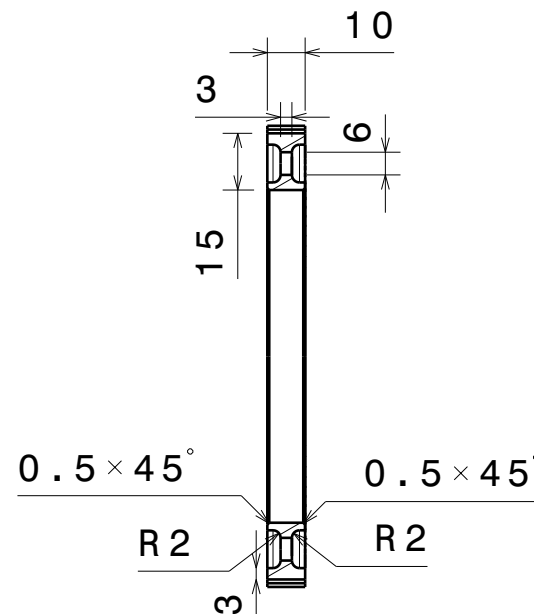
DESIGNED BY: Robin		Reprise pignon 120 elec		I	-
DATE: 26/12/2020				H	-
CHECKED BY: XXX		PV3e		G	-
DATE: XXX				F	-
SIZE A4				E	-
SCALE 1:1	WEIGHT (kg) 0,03	DRAWING NUMBER Brut fourni	SHEET 1/1	D	-
This drawing is our property; it can't be reproduced or communicated without our written agreement.				C	-
				B	-
				A	-



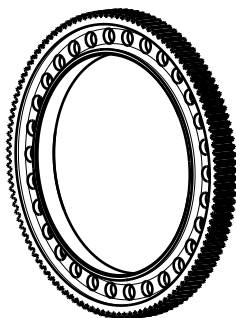
PIGNON AVANT REPRISE



Vue de face
Echelle : 1:2



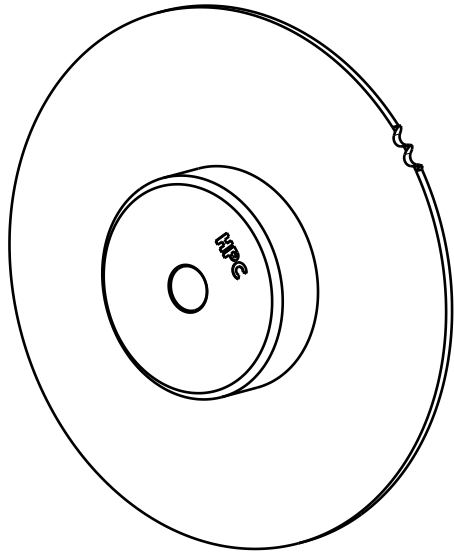
Coupe F-F
Echelle : 1:2



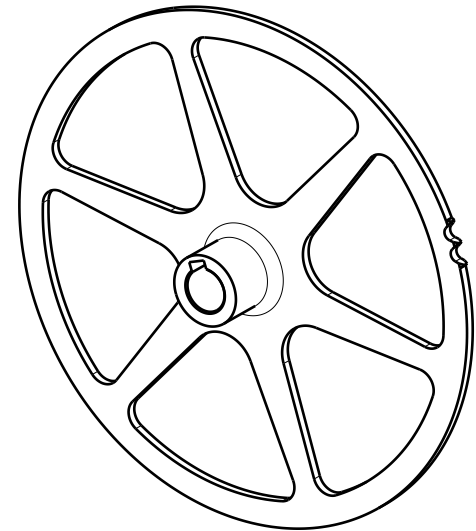
PIGNON APRES REPRISE

DESIGNED BY: Robin		Reprise pignon 120 RL		I	-
DATE: 26/12/2020				H	-
CHECKED BY: XXX		PV3e		G	-
DATE: XXX				F	-
SIZE A4		Brut fourni		E	-
SCALE 1:1	WEIGHT (kg) 0,03			D	-
DRAWING NUMBER		SHEET		C	-
		1/1		B	-
				A	-

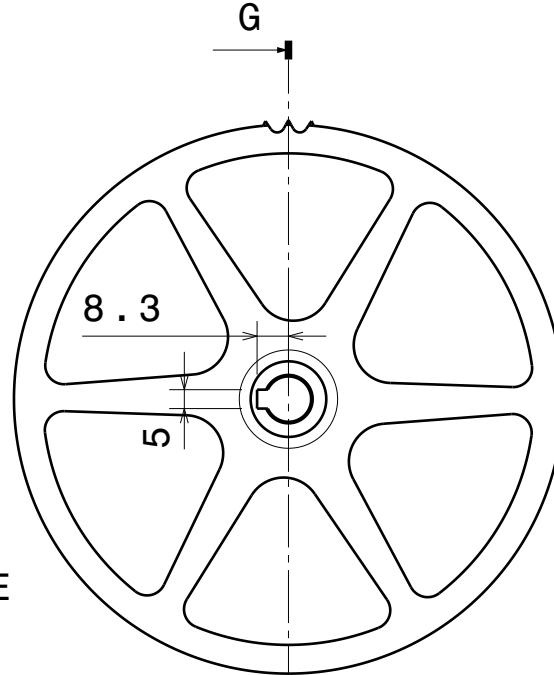
This drawing is our property; it can't be reproduced or communicated without our written agreement.



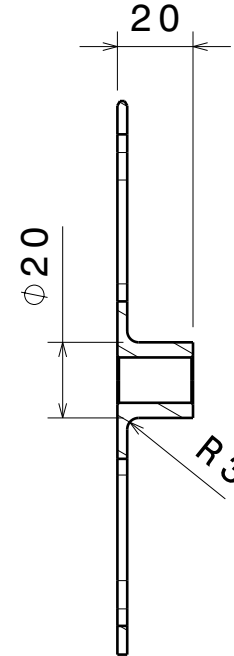
COURONNE AVANT REPRISE



COURONNE APRES REPRISE

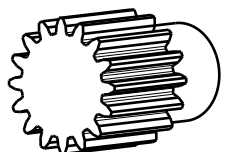


G Vue de face
Echelle : 1:2

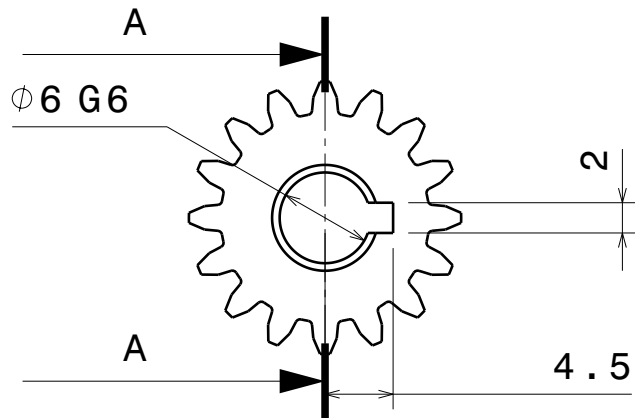


Coupe G-G
Echelle : 1:2

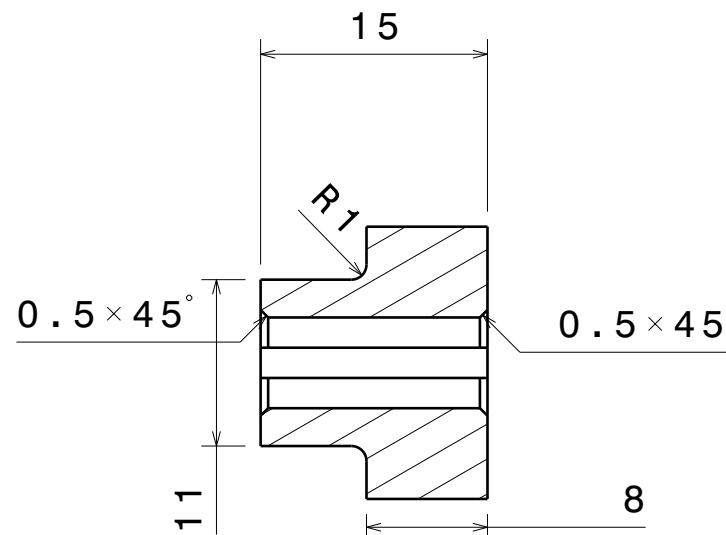
DESIGNED BY: Robin		<h1>Reprise couronne</h1>		I	-
DATE: 26/12/2020				H	-
CHECKED BY: XXX		<h2>PV3e</h2>		G	-
DATE: XXX				F	-
SIZE A4		Brut fourni		E	-
SCALE 1:1	WEIGHT (kg) 0,03			D	-
DRAWING NUMBER		1/1		C	-
SHEET				B	-
This drawing is our property; it can't be reproduced or communicated without our written agreement.				A	-



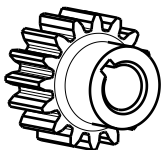
PIGNON AVANT REPRISE



Vue de face
Echelle : 2:1



Coupe A-A
Echelle : 2:1



PIGNON APRES REPRISE

DESIGNED BY: Robin	
DATE: 26/12/2020	
CHECKED BY: XXX	
DATE: XXX	
SIZE A4	
SCALE 1:1	WEIGHT (kg) 0,03

<h1>Reprise pignon 16</h1>		
		PV3e
DRAWING NUMBER Brut fourni		SHEET 1/1

I	-
H	-
G	-
F	-
E	-
D	-
C	-
B	-
A	-

This drawing is our property; it can't be reproduced or communicated without our written agreement.

D

C

B

A

4

4

3

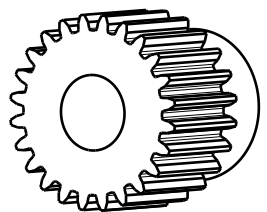
3

2

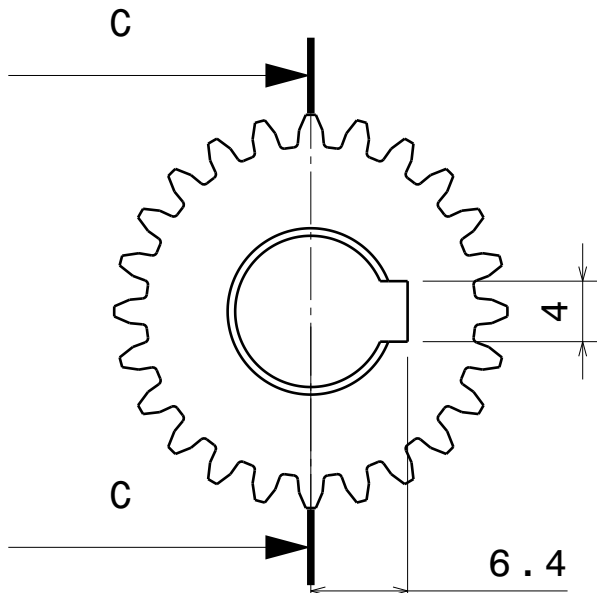
2

1

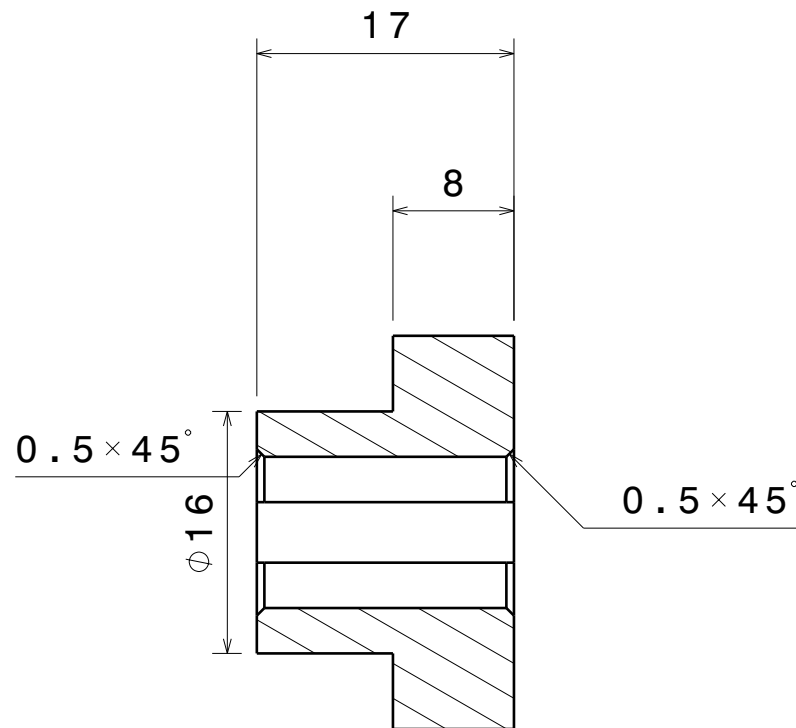
1



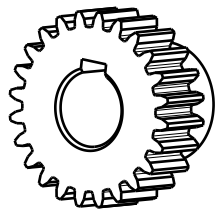
PIGNON AVANT REPRISE



Vue de face
Echelle : 2:1



Coupe C-C
Echelle : 2:1



PIGNON APRES REPRISE

DESIGNED BY: Robin	
DATE: 26/12/2020	
CHECKED BY: XXX	
DATE: XXX	
SIZE A4	
SCALE 1:1	WEIGHT (kg) 0,03

<h1>Reprise pignon 24</h1>	
DRAWING NUMBER Brut fourni	
SHEET 1/1	

I	-
H	-
G	-
F	-
E	-
D	-
C	-
B	-
A	-

This drawing is our property; it can't be reproduced or communicated without our written agreement.

D

A