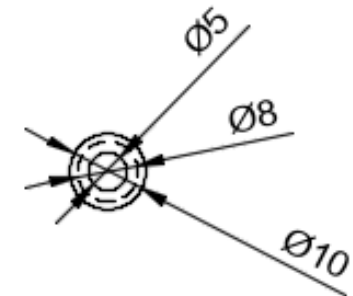
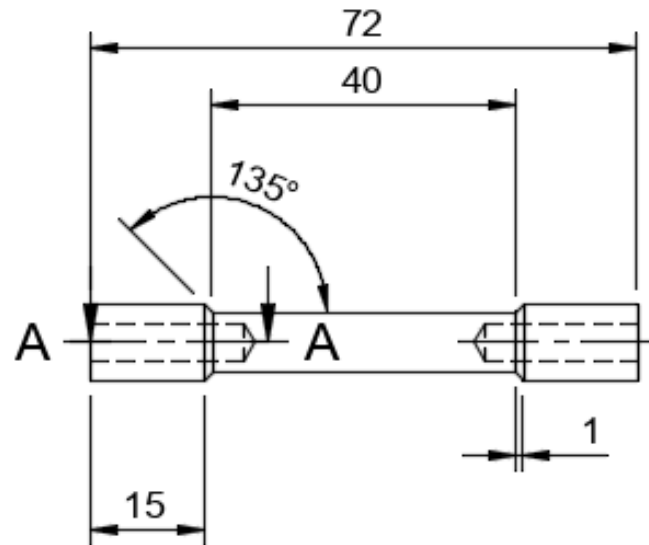
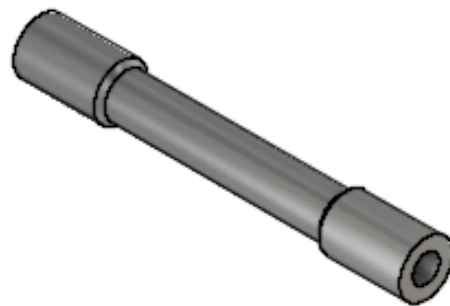
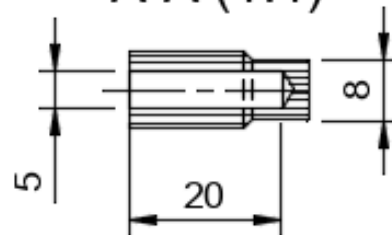


Ø5.00 x 20.00
M6 x 15 (6H)
(M6 x 1 - 6H)



Perçage Ø5 x 20
Puis filetage M6x15

A-A (1:1)



Dept.	Technical reference DIN ISO 6410-1	Created by Sebastien Mllrd 04/12/2020	Approved by n/a	04.12.2020
		Document type	Document status	
		Title Entretoise Support Batterie	DWG No. ESB.a.2012	
Rev.	Date of issue	Sheet		
A1	03.dec.2020	1/1		