

F

E

D

C

B

A

4

3

2

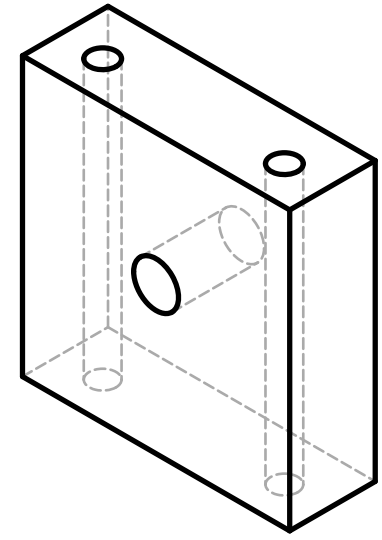
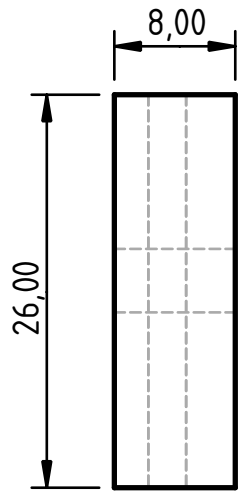
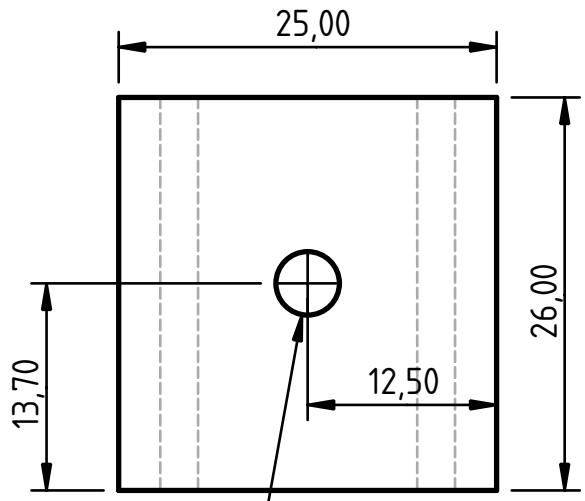
1

4

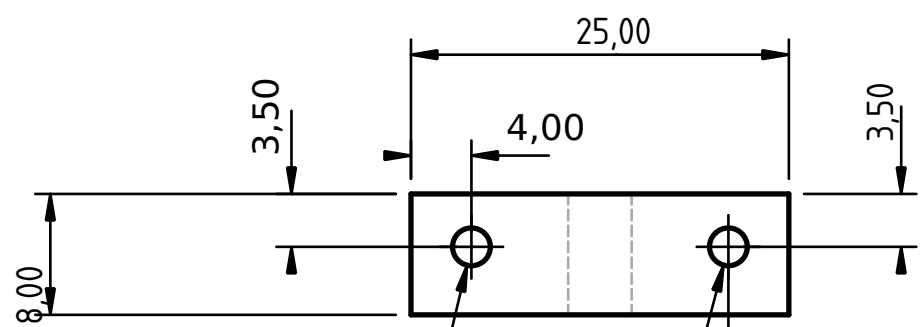
3

2

1



M5 traversant (perçage $\phi 4,20$)



M3 traversant (perçage $\phi 2,50$)

M3 traversant (perçage $\phi 2,50$)

DESIGNED BY: D. I.		Blocs de maintien du miroir		G	—
DATE: 17/11/2020		3 exemplaires		F	—
SIZE A4				E	—
SCALE 2	WEIGHT (kg) 0,013	DRAWING NUMBER Dessin 3	SHEET Sheet	D	—
This drawing is our property; it can't be reproduced or communicated without our written consent.				C	—
				B	—
				A	—



F

E

D