

F

E

D

C

B

A

4

4

3

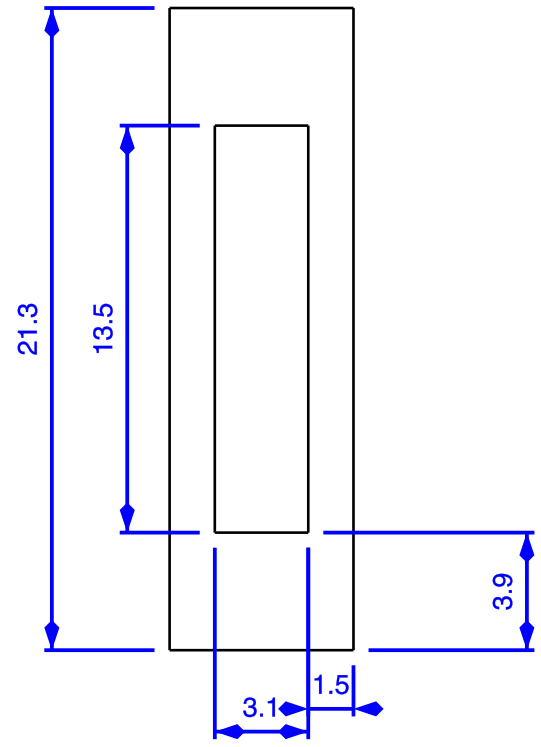
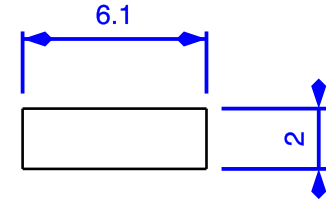
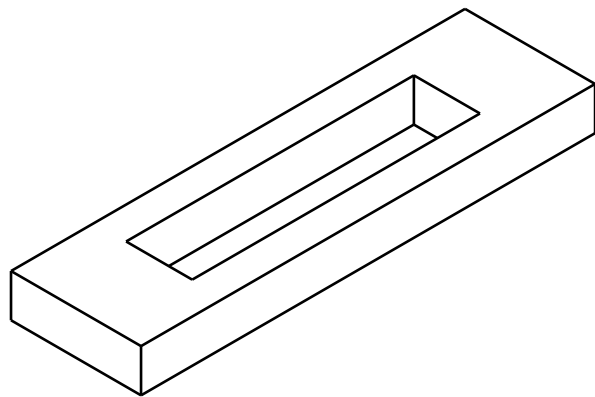
3

2

2

1

1



DESIGNED BY: Designed by Name		Title		G	-
DATE: Date		Subtitle		F	-
SIZE A4				E	-
				D	-
SCALE Scale	WEIGHT (kg) Weight	DRAWING NUMBER Drawing number	SHEET Sheet	C	-
				B	-
				A	-

This drawing is our property; it can't be reproduced or communicated without our written consent.

F

E

D

