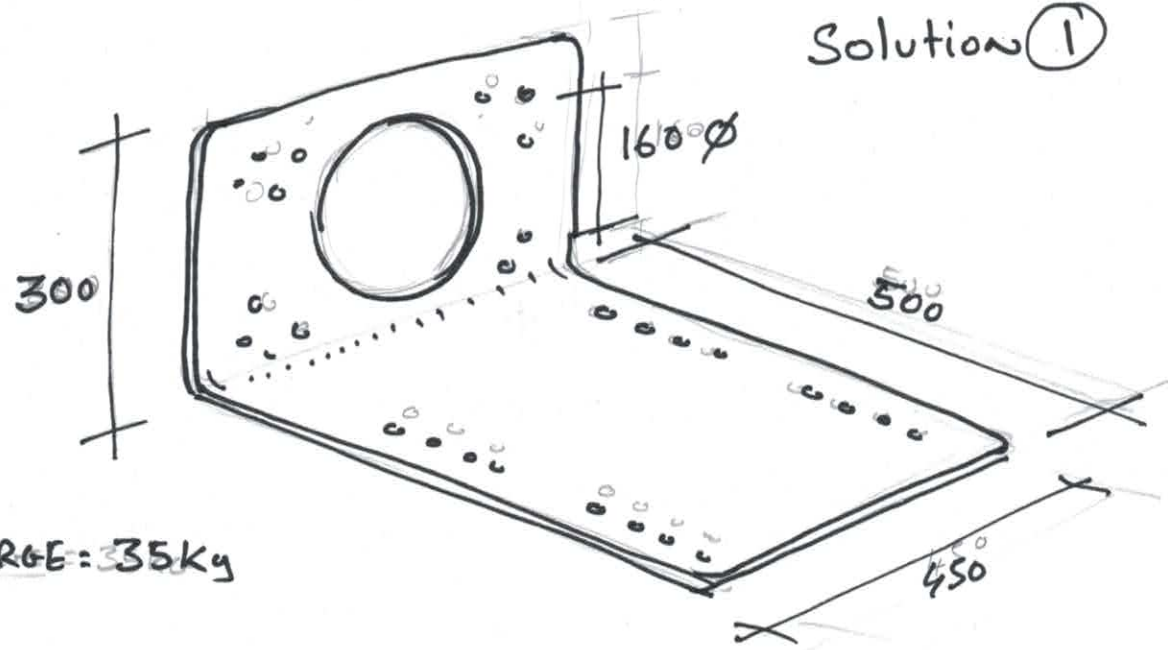


Solution ①



CHARGE: 35Kg

SOLUTION ②

