

F E D C B A

4

3

2

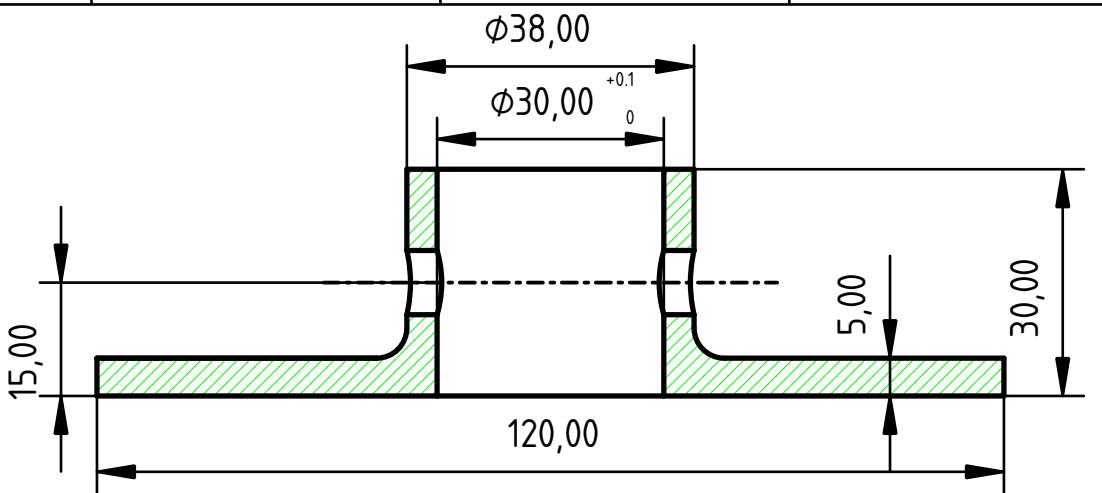
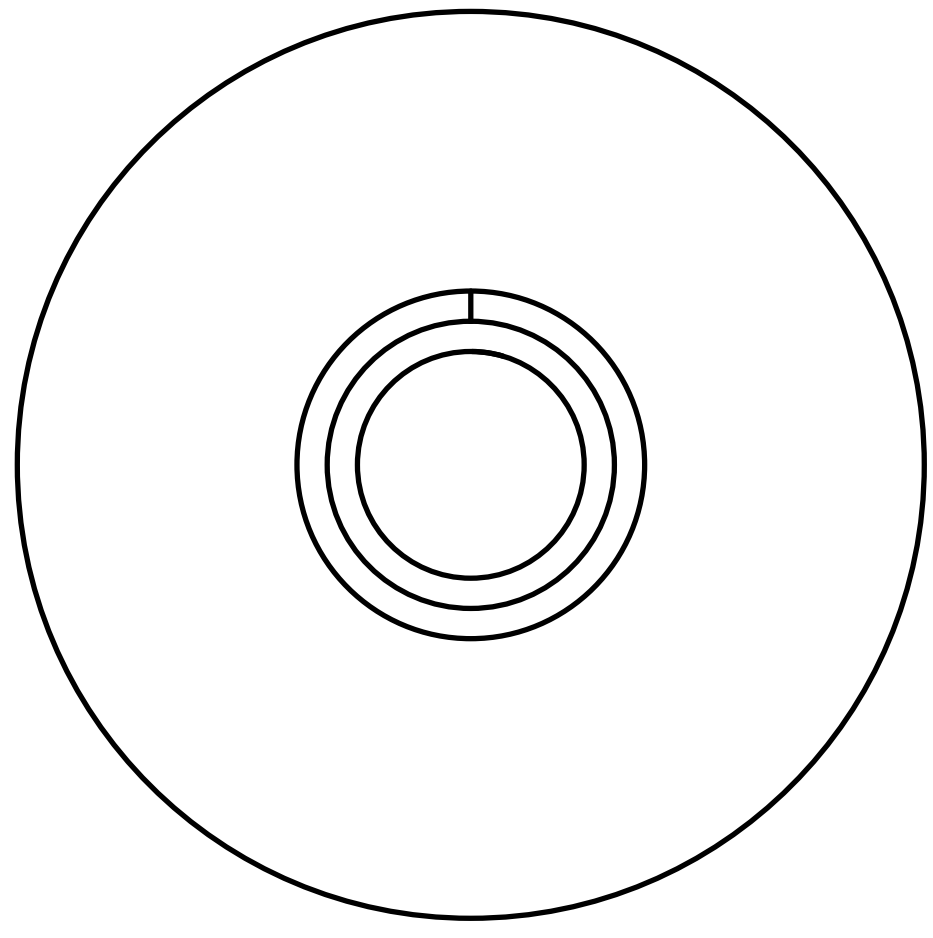
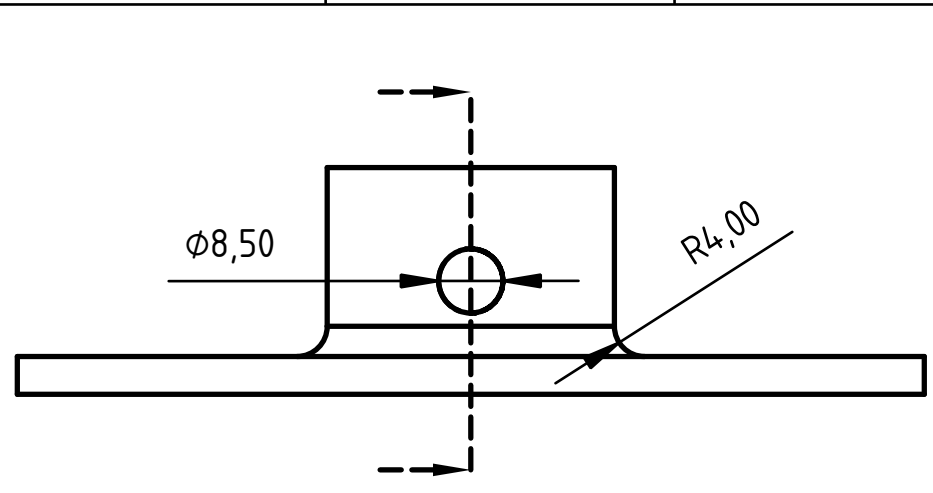
1

4

3

2

1



Acier de construction mécanique soudable

DESIGNED BY: JP Fritz		Flasque		G	—
DATE: 12/10/2020				F	—
SIZE A4				E	—
				D	—
SCALE 1:1	WEIGHT (kg)	DRAWING NUMBER	SHEET 3/3	C	—
				B	—
This drawing is our property; it can't be reproduced or communicated without our written consent.				A	—



F E D