

D

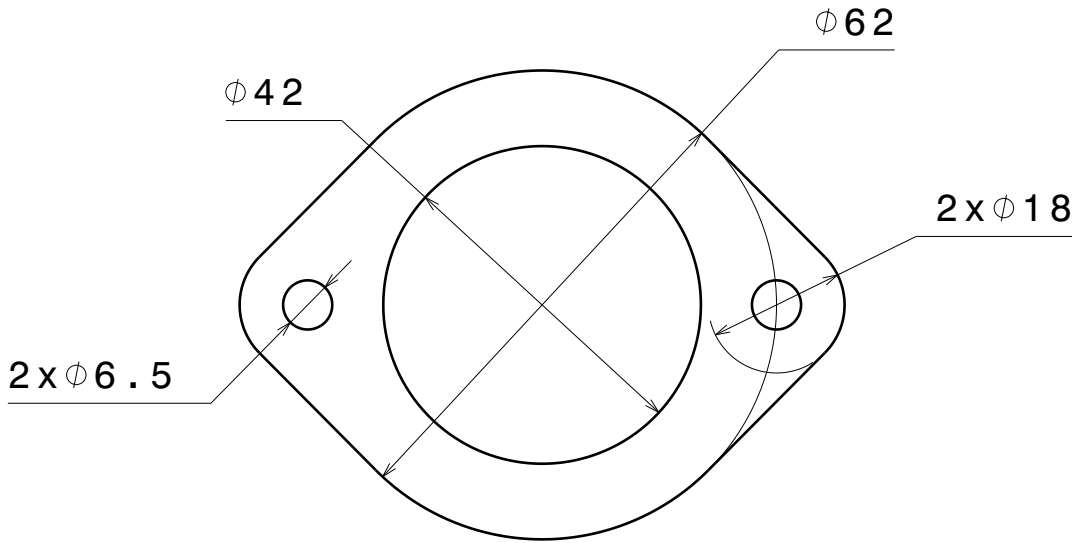
C

B

A

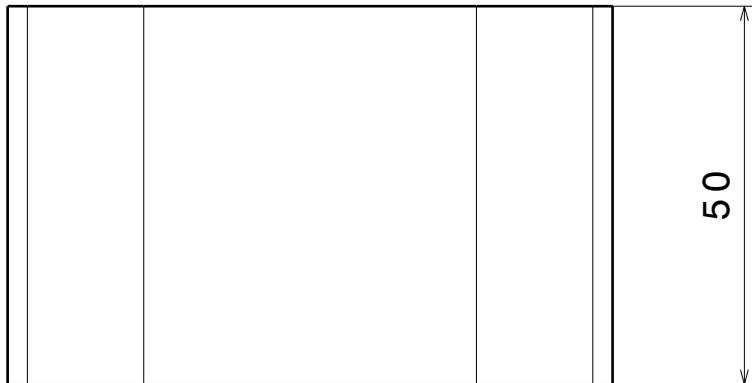
4

4



3

3



2

2

DESIGNED BY:
lepicier
DATE:
08/10/2020
CHECKED BY:
XXX
DATE:
XXX

Piece_Lotus

I	-
H	-
G	-
F	-
E	-
D	-
C	-
B	-
A	-

1

1

SIZE
A4

PECASTAING INC.

SCALE
1:1

WEIGHT (kg)
DRAWING NUMBER
DRW1000123456

SHEET
1/1

This drawing is our property; it can't be reproduced or communicated without our written agreement.

D

A