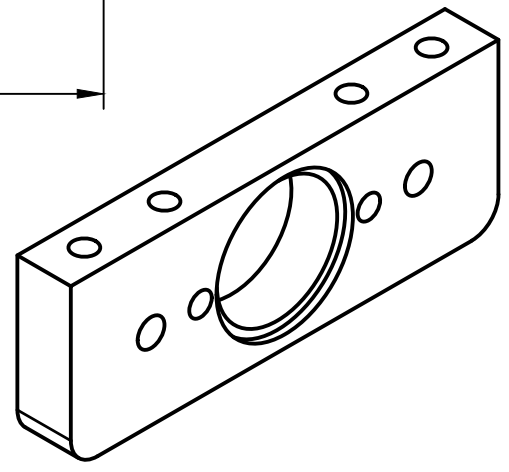
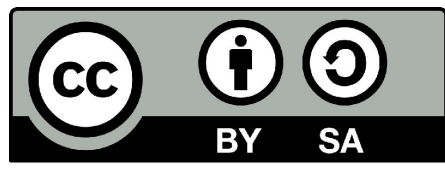


Dimension and ajustement should be respected after anodization is done



| | | | |
|--------------|------------------------------------|-------------------|------------------------------|
| Dept. R&D | Technical reference | Created by A.P | Approved by N.J |
| | Document type Prodction Drawing | | Document status Validated |
| | Title plaque inter | | DWG No. |
| | Rev. 1 | Date of issue | Sheet 1/1 |