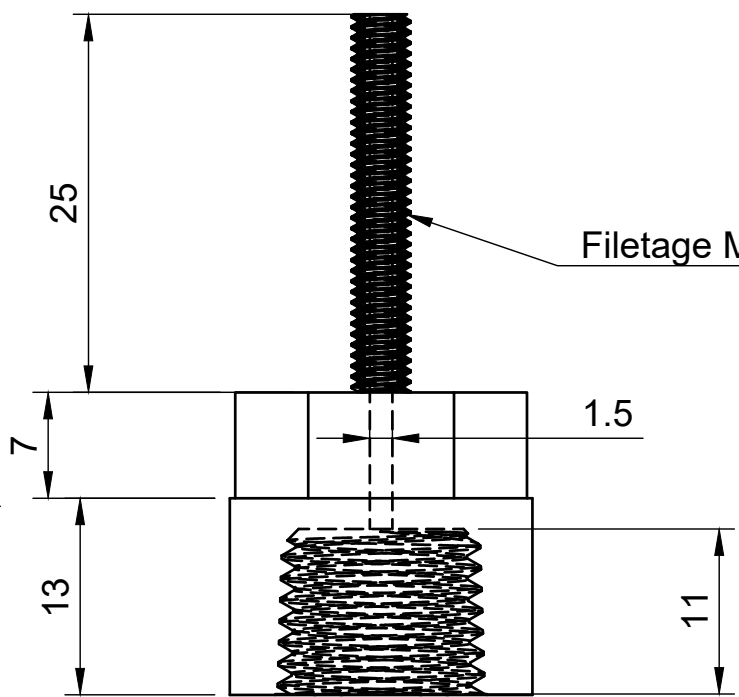
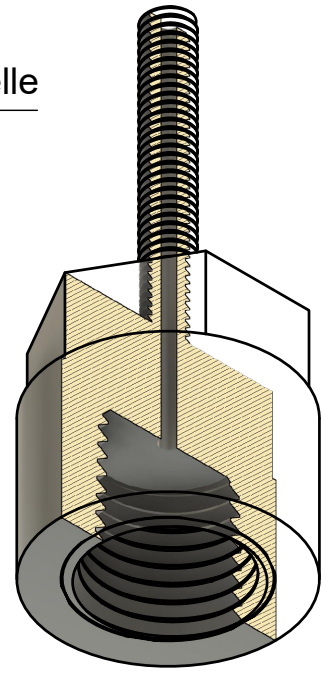
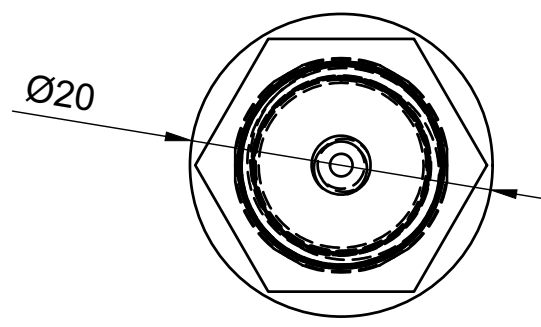


Filetage NPT  $\frac{1}{4}$  Femelle

Ø1.5



Filetage M4 Male



Ø20

Dept.	Technical reference	Created by <b>Clément DURET 08/09/2020</b>	Approved by	
		Document type <b>Adaptateur NPT 1/4 Femelle vers M4 Male</b>	Document status	
		Title <b>ConnecteurChevilleEPDM</b>	DWG No.	
		Rev.	Date of issue	Sheet <b>1/1</b>