

D

C

B

A

4

4

3

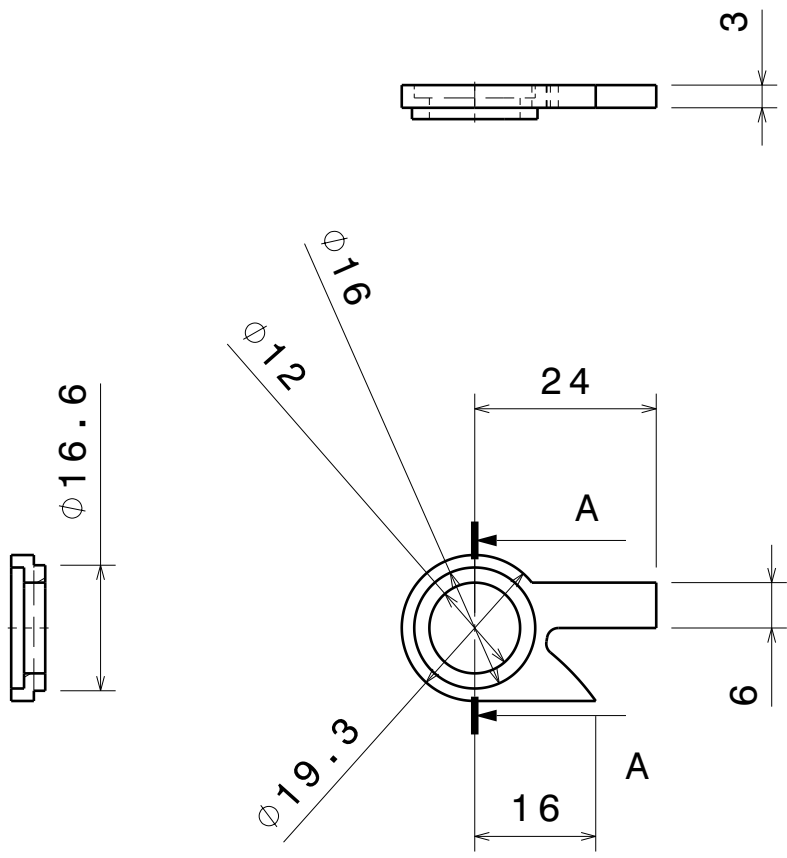
3

2

2

1

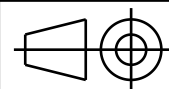
1



DESIGNED BY:
 DATE:
28/08/2020

CHECKED BY:
 DATE:

SIZE
A4



ACIER STANDARD

SCALE
1:1

WEIGHT (kg)

DRAWING NUMBER
BUTEE DERAILLEUR

SHEET
1/1

I	-
H	-
G	-
F	-
E	-
D	-
C	-
B	-
A	-

This drawing is our property; it can't be reproduced or communicated without our written agreement.

D

A