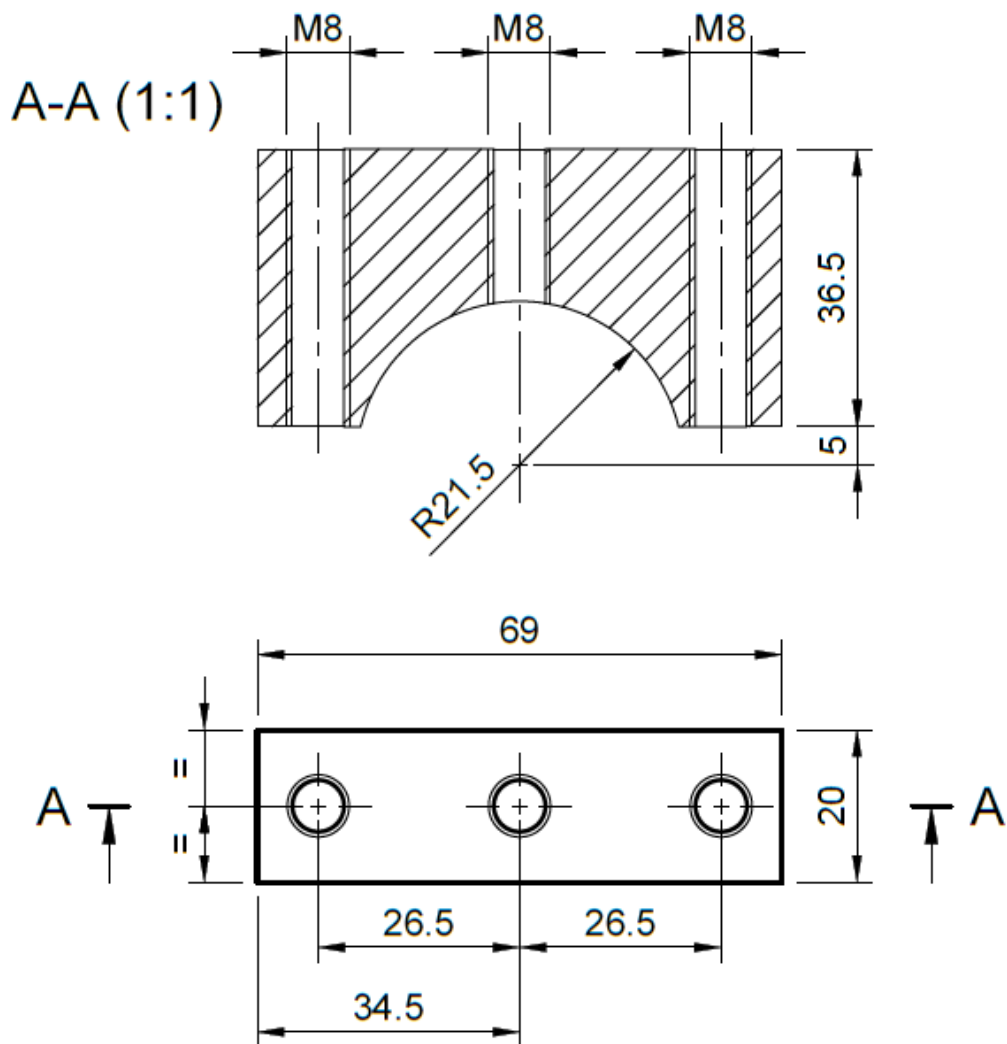
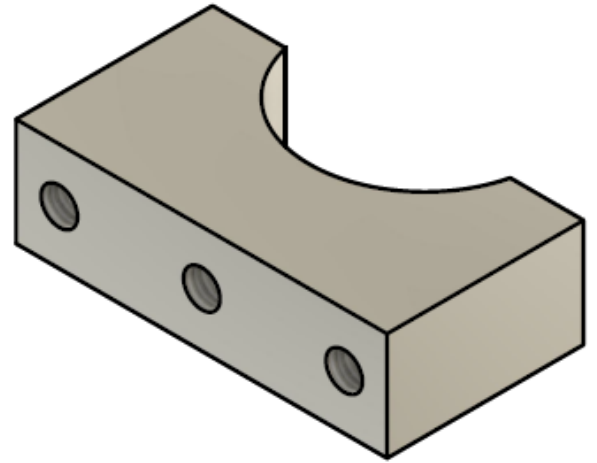


All chamfers = 0.5mm at 45°
Break all sharp edges

Tous les chanfreins = 0,5mm à 45°
Casser toutes les arrêtes vives



Material = Aluminium 2017A (AU4G)

General linear tolerance = $\pm 0,3\text{mm}$

Dept.	Technical reference	Created by Antonin	06/08/2020	Approved by
		Document type	Document status	
		Title AdaptateurFixation_Arriere	DWG No.	
Ech 1:1		Rev.	Date of issue	Sheet 1/1