

D

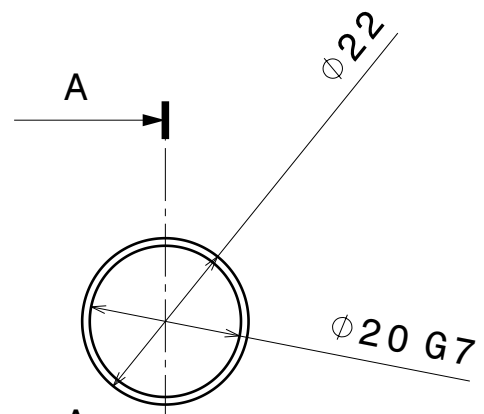
C

B

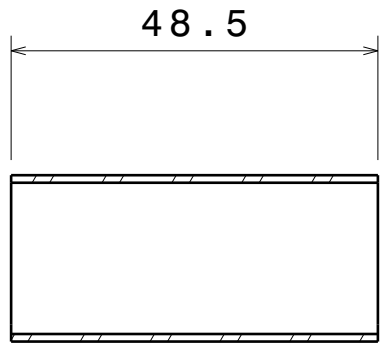
A

4

4



Vue de face
Echelle : 1:1



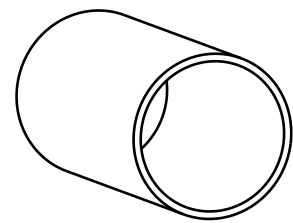
Coupe A-A
Echelle : 1:1

3

3

2

2



Vue isométrique
Echelle : 1:1

1

1

DESIGNED BY: chris		Ply Name	Entretoise_roue	I	-
DATE: 24/07/2020		Material	Aluminium	H	-
CHECKED BY: XXX		Direction	XXXX	G	-
DATE: XXX		Thickness	XXXX	F	-
SIZE A4		Quantité	1	E	-
SCALE 1:1	WEIGHT (kg) XXX	GroupID	XXXX	D	-
				C	-
				B	-
				A	-

This drawing is our property; it can't be reproduced or communicated without our written agreement.

D

A