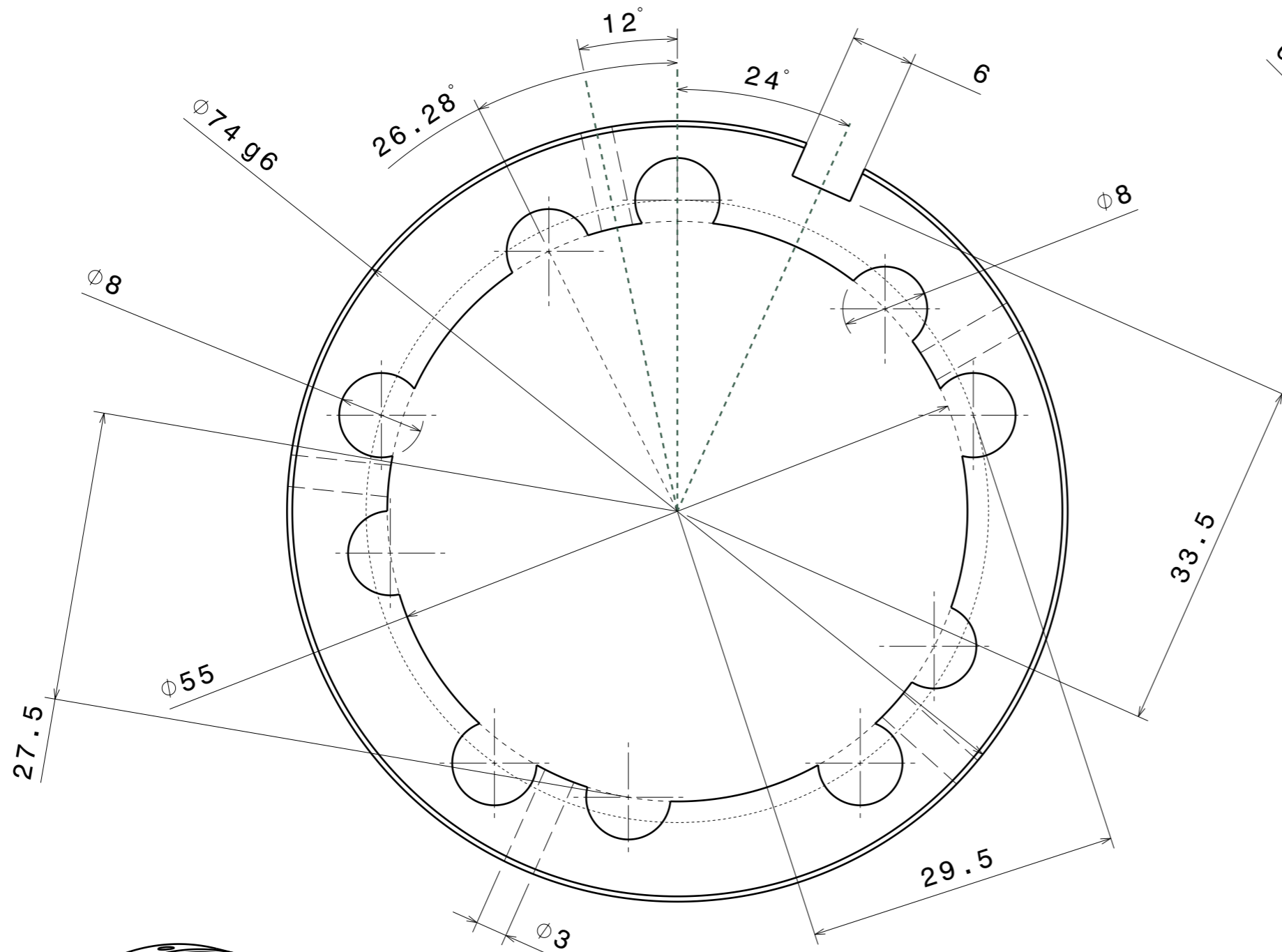
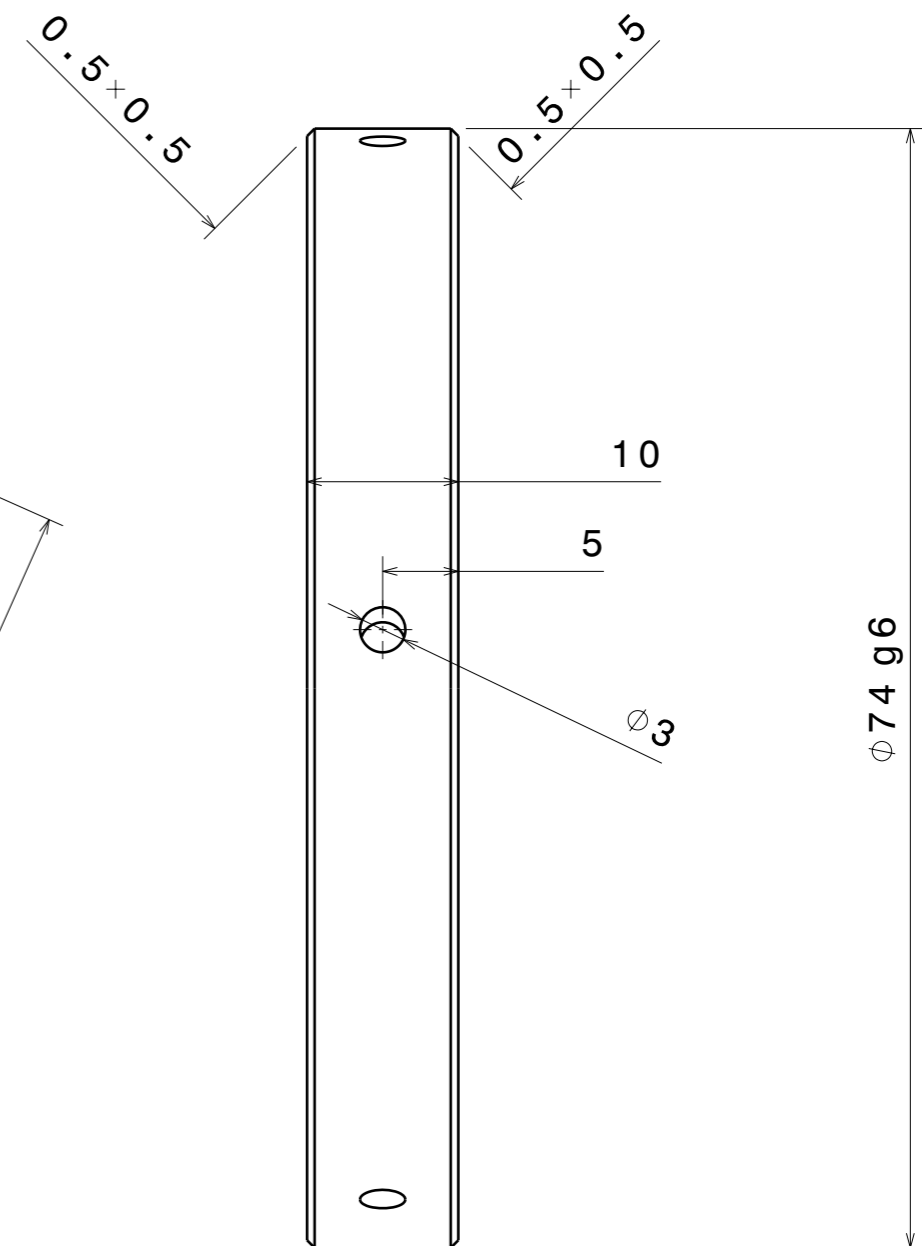


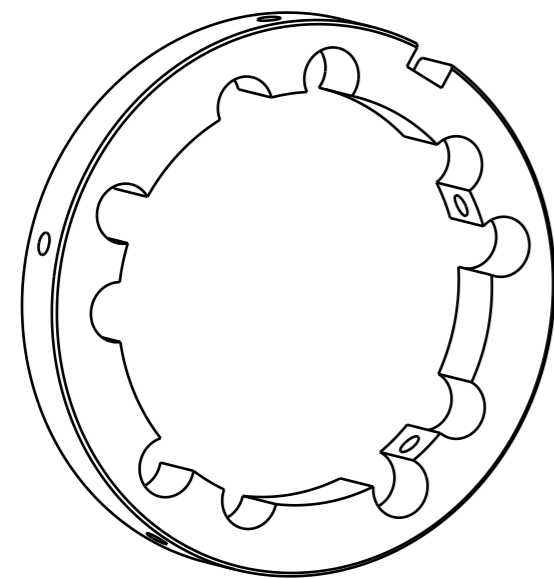
H G F E D C B A



Vue de face
Echelle : 2:1



Vue de gauche
Echelle : 2:1



Vue isométrique
Echelle : 1:1

DESIGNED BY: chris	Ply Name	Roue_ext_R1	I	-
DATE: 24/07/2020	Material	Acier	H	-
CHECKED BY: XXX	Direction	XXXX	G	-
DATE: XXX	Thickness	XXXX	F	-
SIZE A3	Quantité	1	E	-
SCALE 1:1		GroupID	D	-
WEIGHT (kg) XXX			C	-
			B	-
			A	-

This drawing is our property; it can't be reproduced or communicated without our written agreement.

H G B A