

D

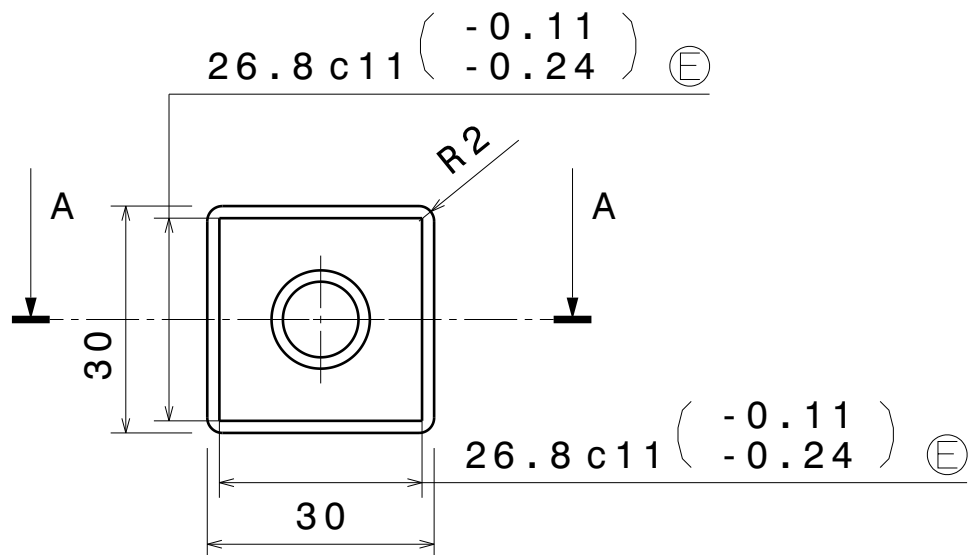
C

B

A

4

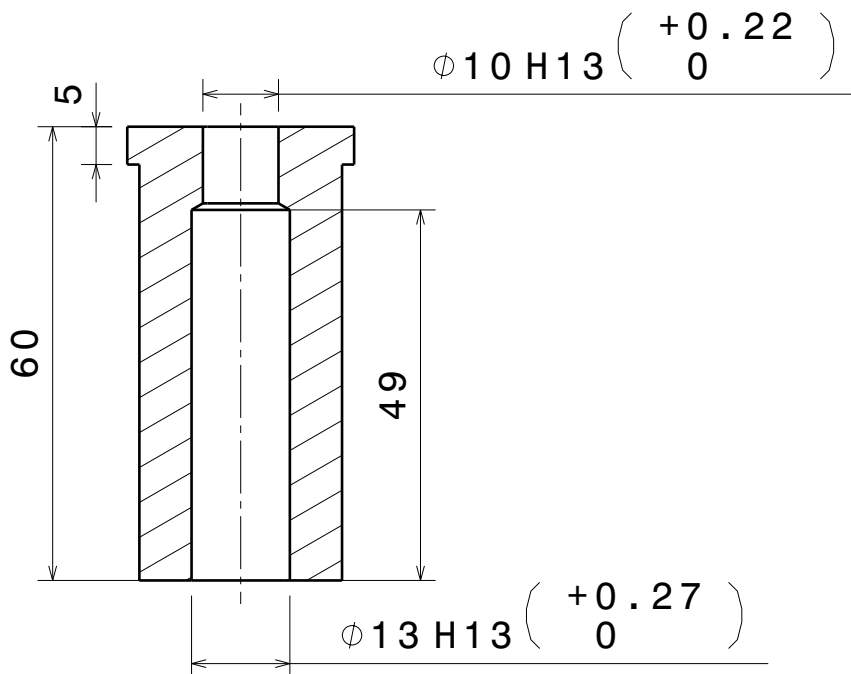
4



3

3

Coupe A-A  
Echelle : 1:1



2

2

Quantité : 2  
Matière : acier inoxydable  
Rugosité générale Ra 3.2  
Tolérances générales ISO 2768 - cL

DESIGNED BY:

YT

DATE:

30/07/2020

CHECKED BY:

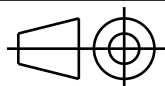
XXX

DATE:

XXX

SIZE

A4



EMBOUIT

EP 2020-07-25

SCALE

1:1

WEIGHT (kg)

0,27

DRAWING NUMBER

Embout

SHEET

1/1

I

-

H

-

G

-

F

-

E

-

D

-

C

-

B

-

A

-

D

A

1

1

This drawing is our property; it can't be reproduced or communicated without our written agreement.