

D

C

B

A

4

3

2

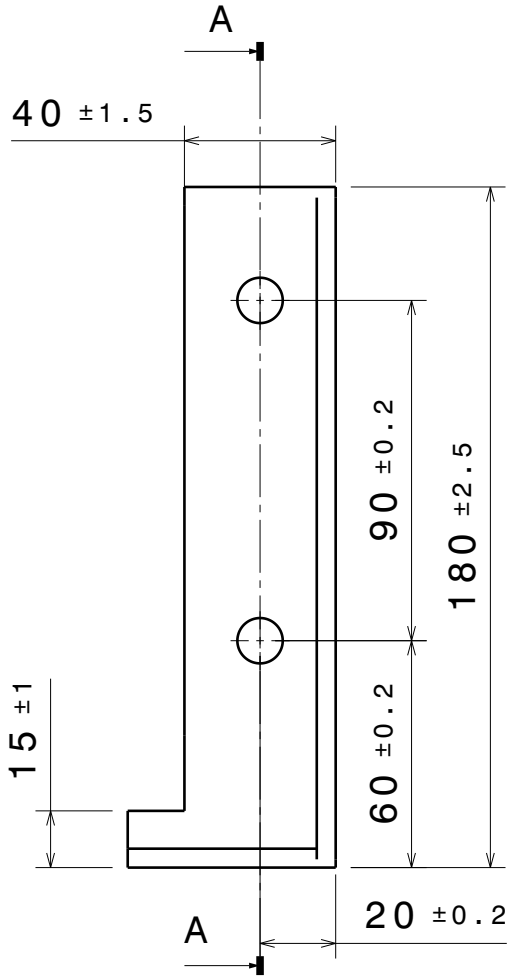
1

4

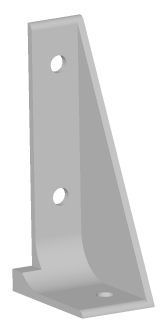
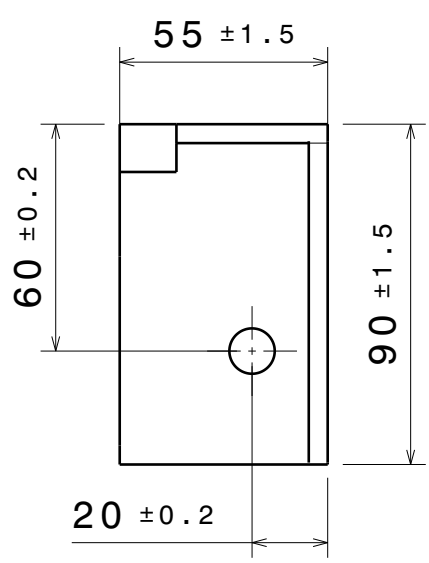
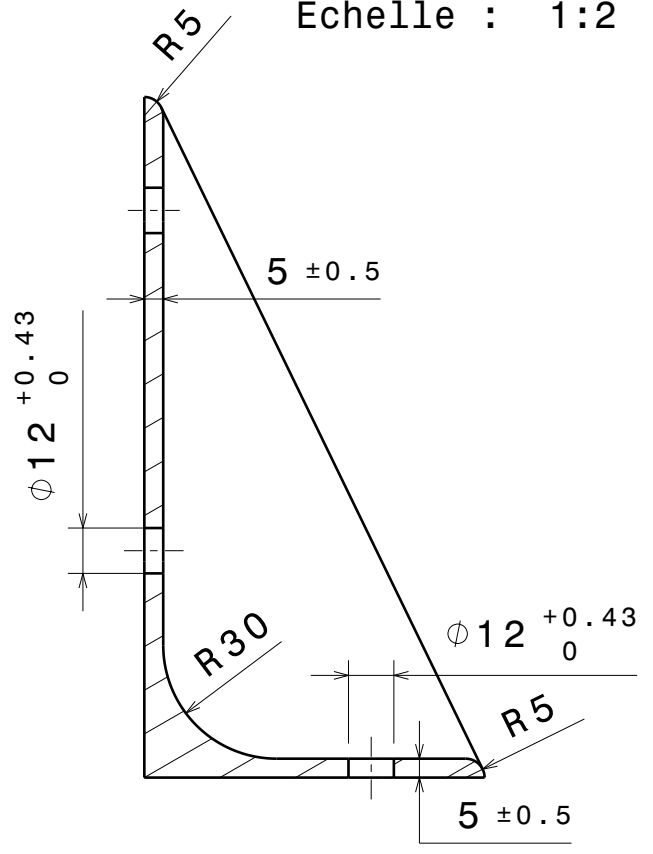
3

2

1



Coupe A-A
Echelle : 1:2



Vue isométrique
Echelle : 1:5

Nombre : 38
Rugosité générale Ra 3.2
Matière : Aluminium 6082 ou 2024

DESIGNED BY:	YT
DATE:	07/07/2020
CHECKED BY:	XXX
DATE:	XXX
SIZE	A4
SCALE	1:2
WEIGHT (kg)	0,12

EQUERRE RENFORCEE		I	-
		H	-
ER2020-07-07		G	-
		F	-
Equerre		E	-
		D	-
1 / 1		C	-
		B	-
This drawing is our property; it can't be reproduced or communicated without our written agreement.		A	-

I	-
H	-
G	-
F	-
E	-
D	-
C	-
B	-
A	-

D

A