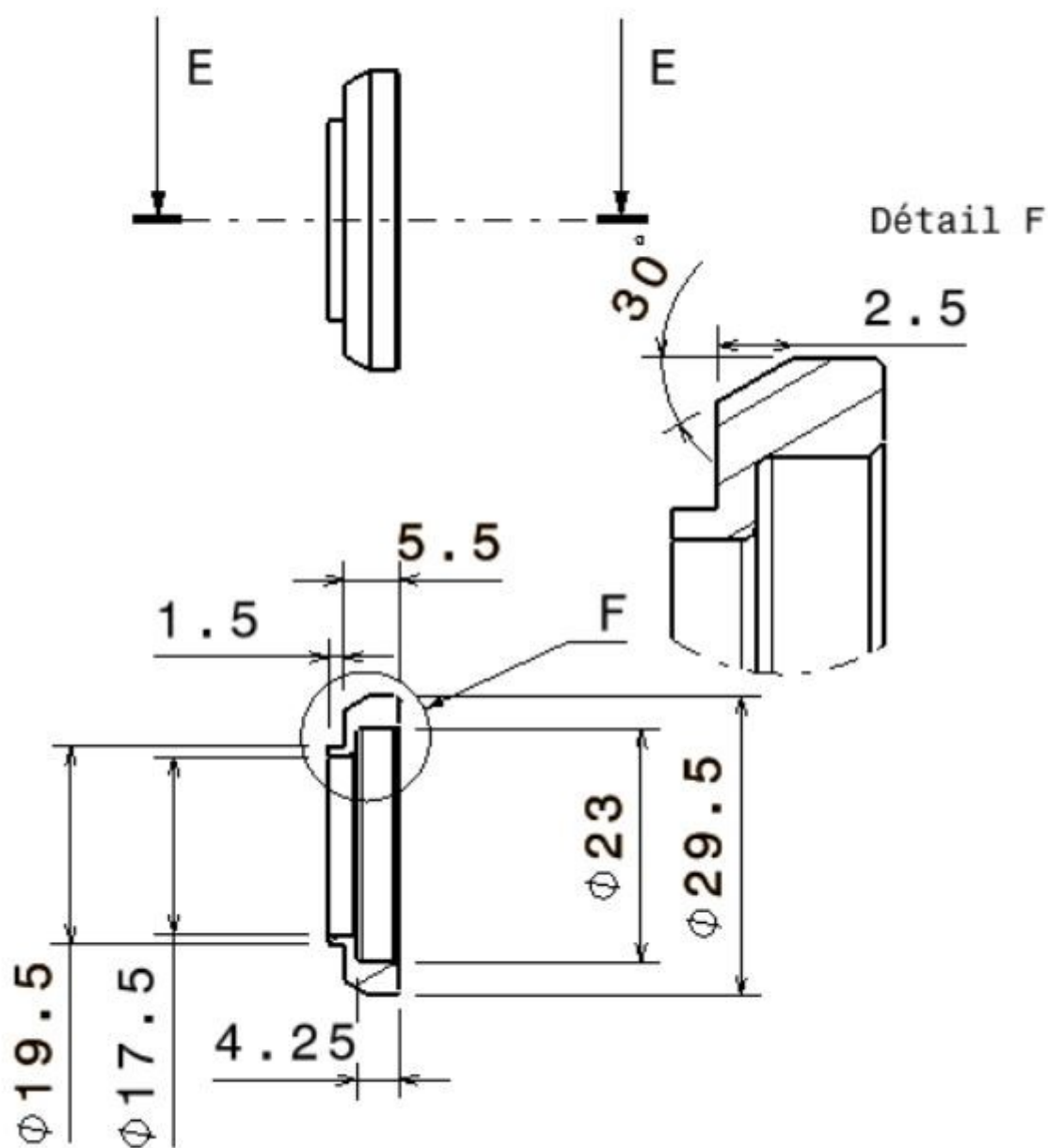


# CALE LEVIER 1



Coupe E-E  
Rayons 0.5mm  
Chanfreins 0.5mm 45°