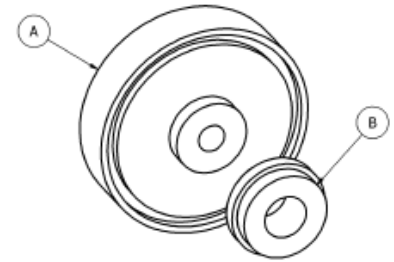
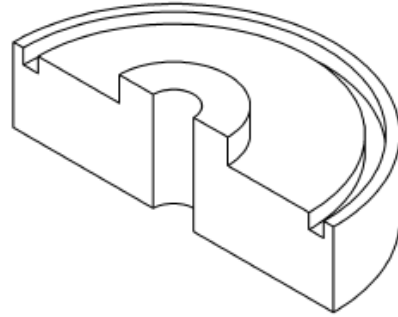
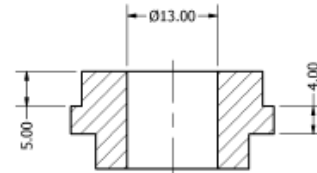


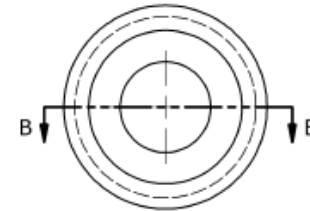
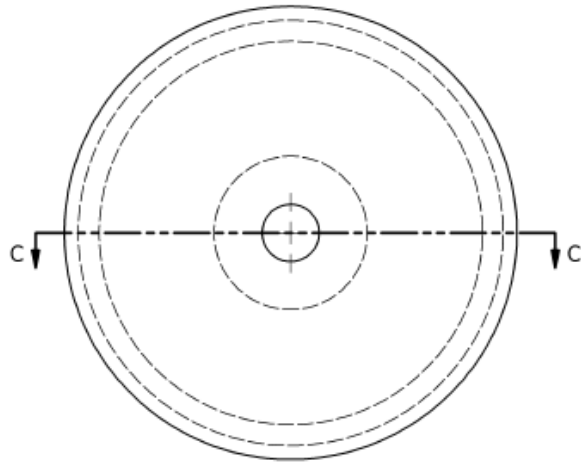
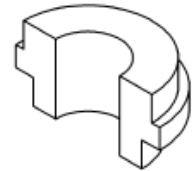
SECTION C-C
SCALE 2 : 1



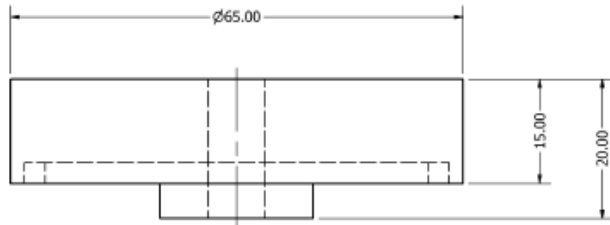
Assembly View
Scale 1:1
Filter Omitted for Clarity



SECTION B-B
SCALE 2 : 1



Filter Insert - Item B



Filter Base - Item A

Material: Aluminium.
Adaptor is for use with an oil filter for Honda FT500.

3.2
All over.

DRAWN	JKM	28/09/2007	TITLE	
CHECKED			YAMAHA TX750 Oil Filter Adaptor	
QA			SIZE	DWG NO
MFG			C	honda filter
APPROVED			SCALE	REV
			SHEET 1 OF 1	