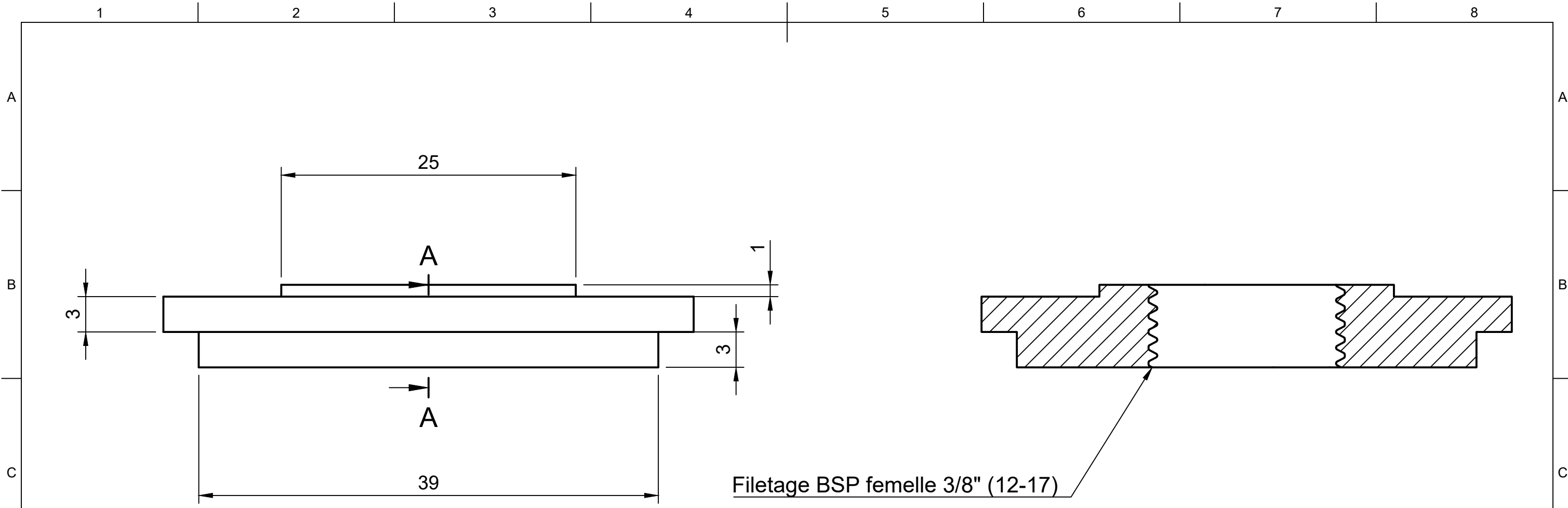


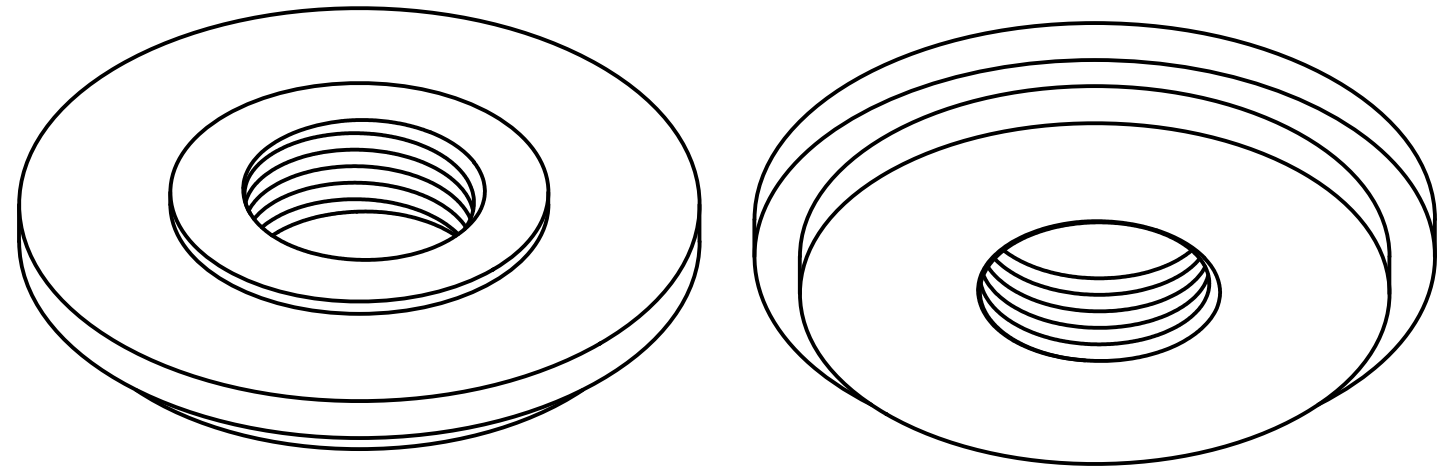
Vue en coupe selon l'axe AA

| | | | |
|-------|---------------------|---------------|-----------------|
| Dept. | Technical reference | Created by | Approved by |
| | | Document type | Document status |
| | | Title | DWG No. |
| | | Corps | |
| Rev. | Date of issue | Sheet | 1/1 |

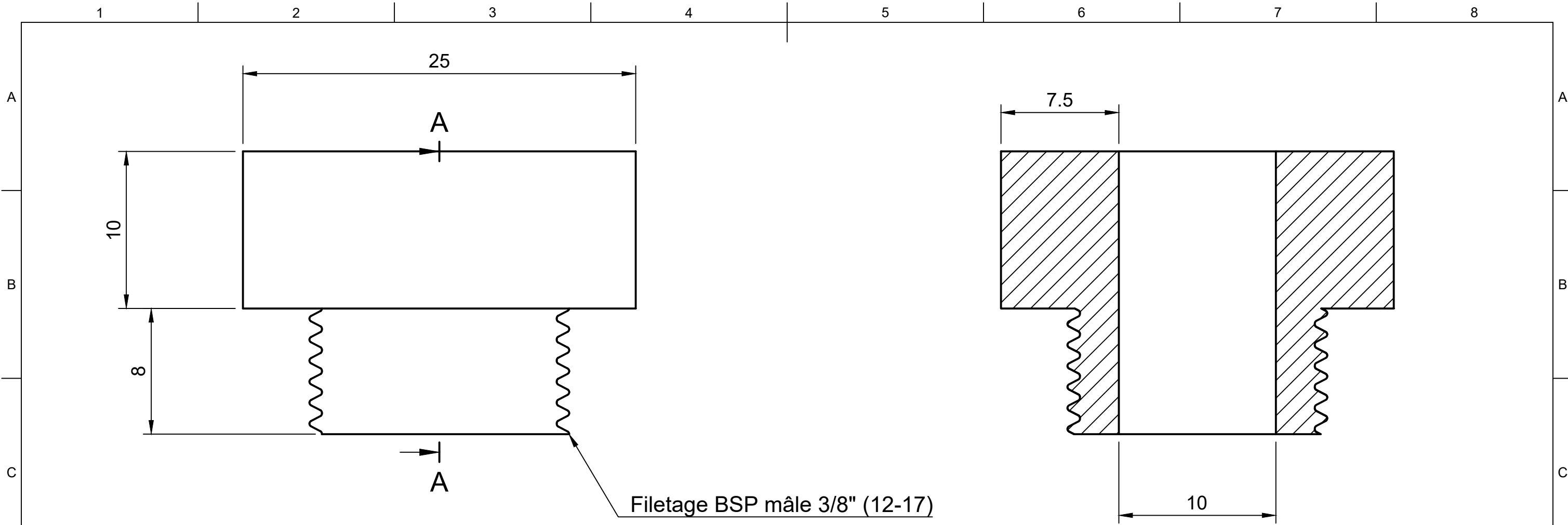


Filetage BSP femelle 3/8" (12-17)

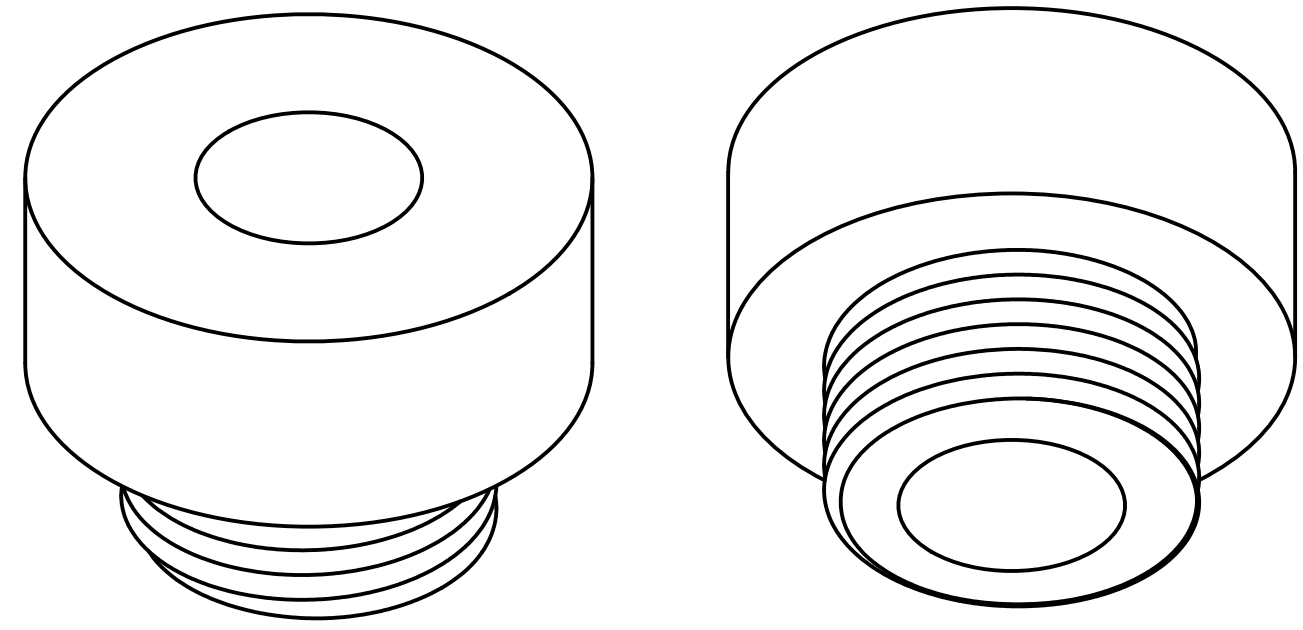
Vue en coupe selon l'axe AA



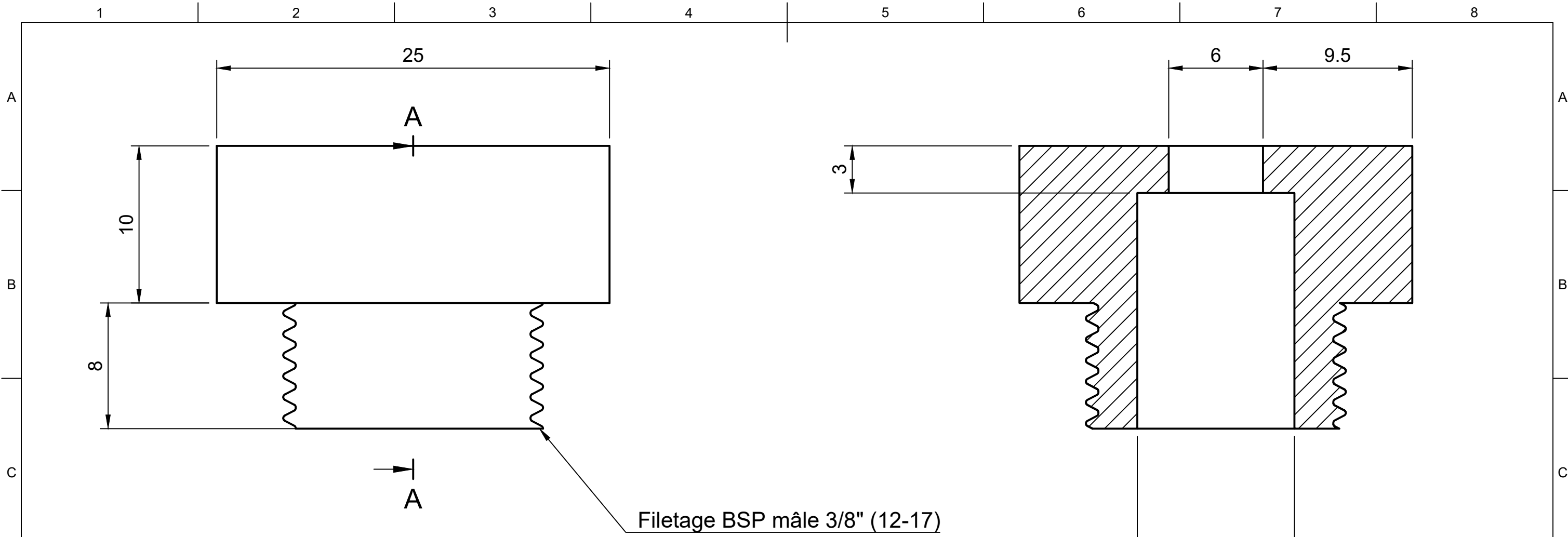
| | | | |
|-------|---------------------|-------------------------|-----------------|
| Dept. | Technical reference | Created by | Approved by |
| | | Document type | Document status |
| | | Title Platine | DWG No. |
| | | Rev. | Date of issue |
| | | Sheet 1/1 | |



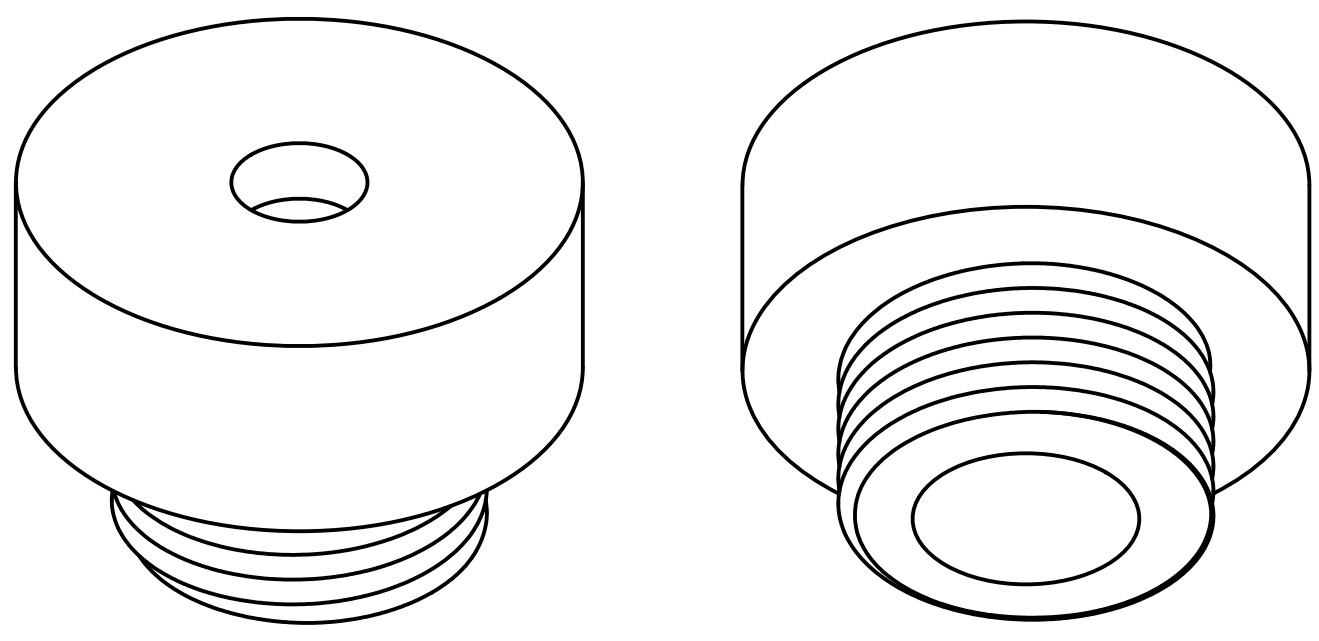
Vue en coupe selon l'axe AA



| | | | | |
|-------|---------------------|------------------|-----------------|-----|
| Dept. | Technical reference | Created by | Approved by | |
| | | Document type | Document status | |
| | | Title | DWG No. | |
| | | Bouchon P | | |
| | Rev. | Date of issue | Sheet | 1/1 |



Vue en coupe selon l'axe AA



| | | | |
|-------|---------------------|---------------------------|-----------------|
| Dept. | Technical reference | Created by | Approved by |
| | | Document type | Document status |
| | | Title Bouchon M | DWG No. |
| | | Rev. | Date of issue |
| | | Sheet 1/1 | |