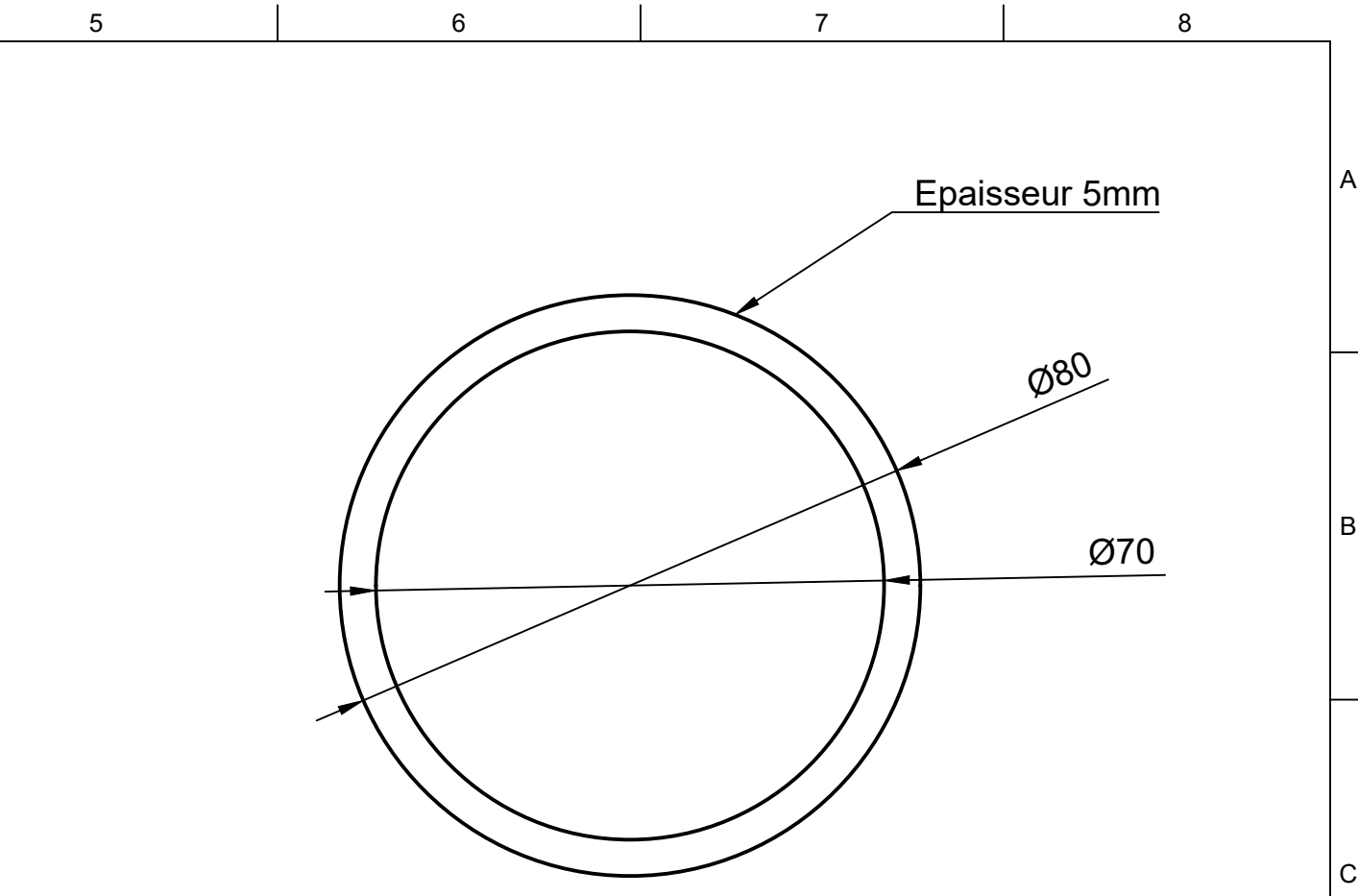
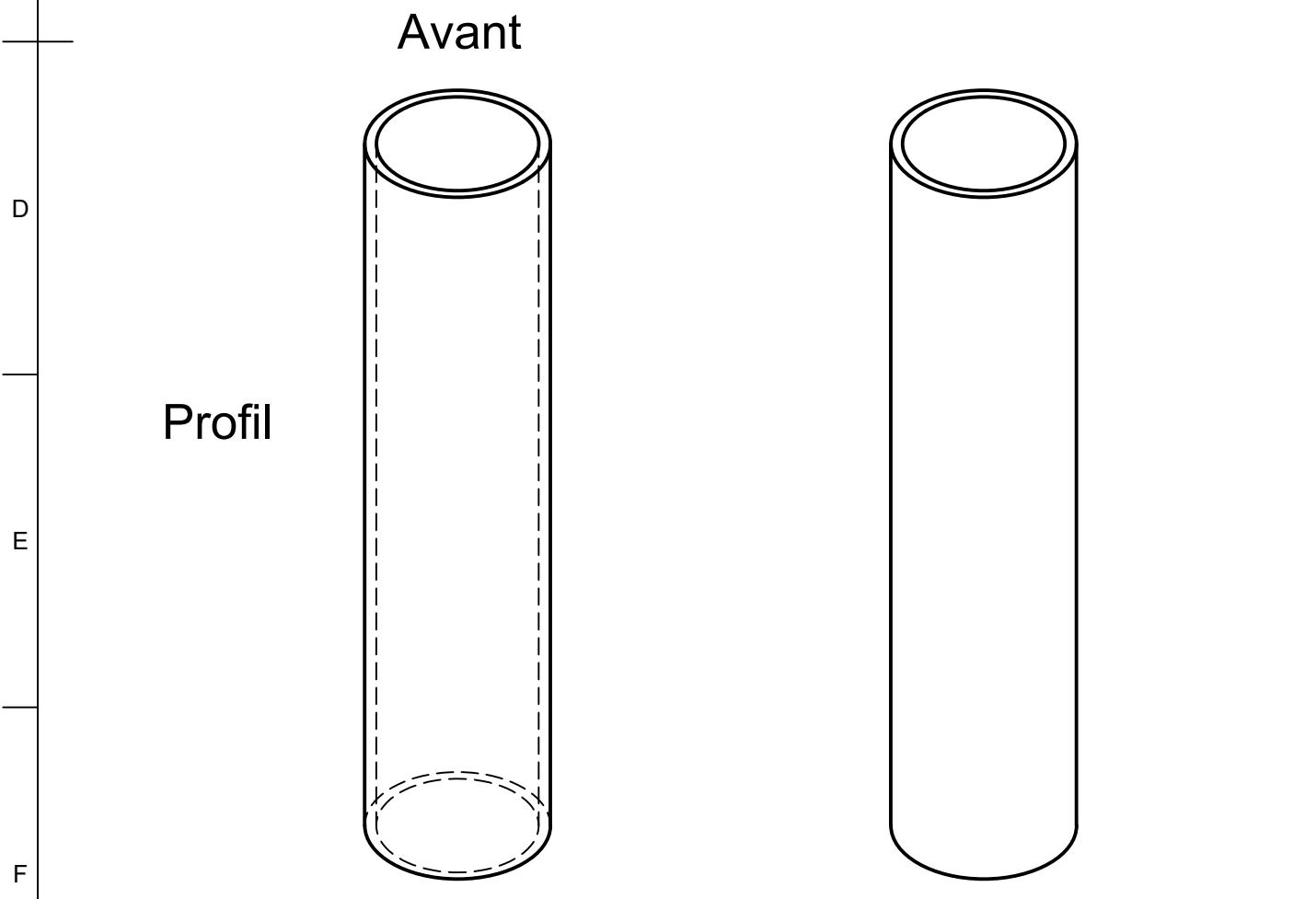


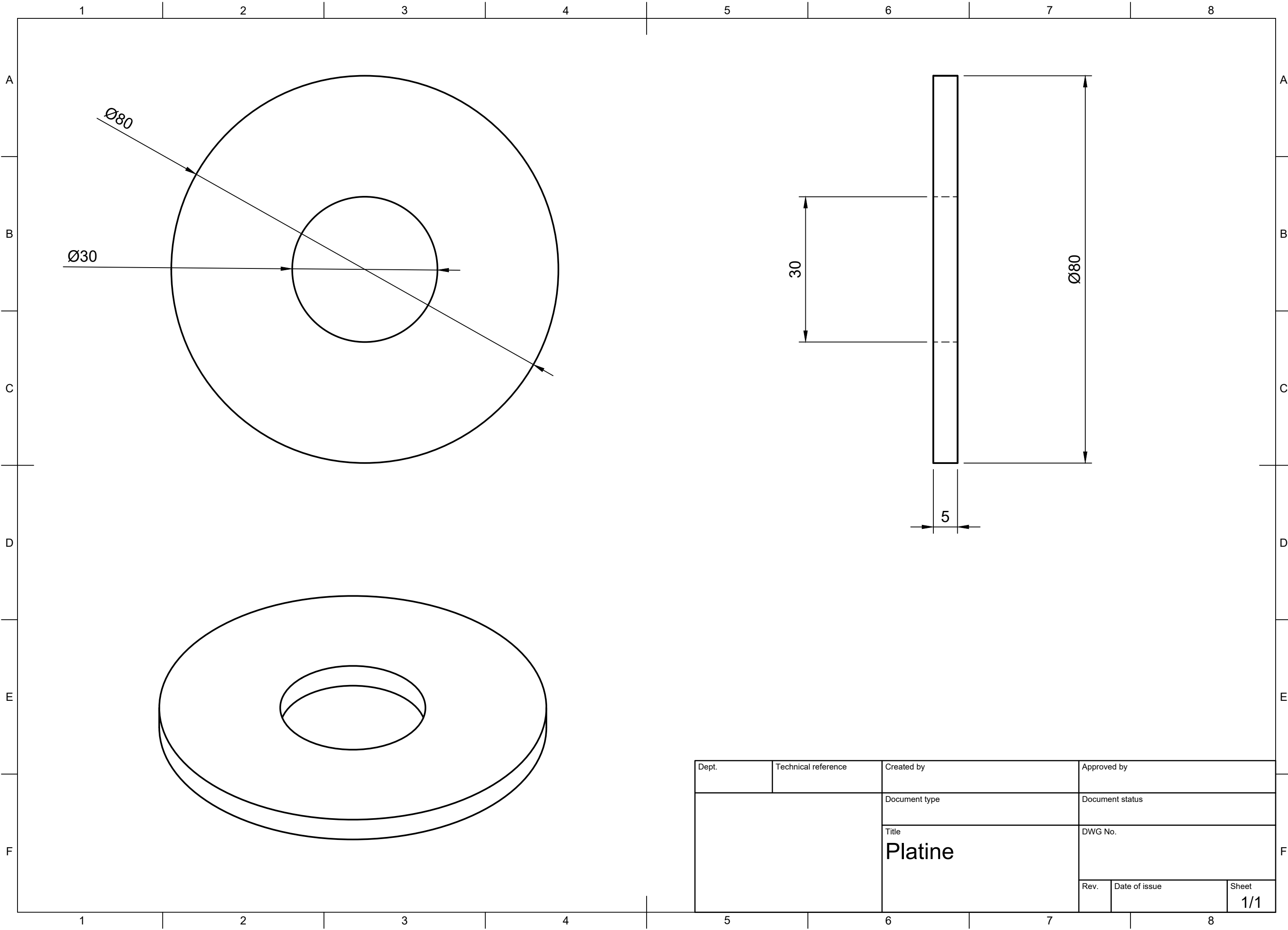
Vue profil



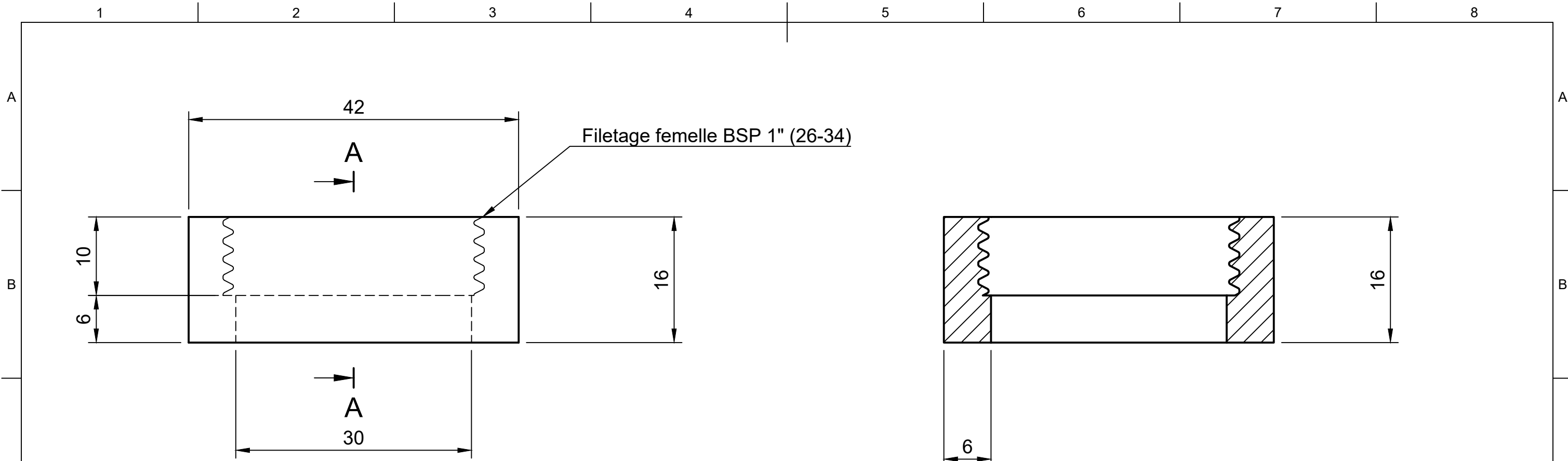
Vue avant



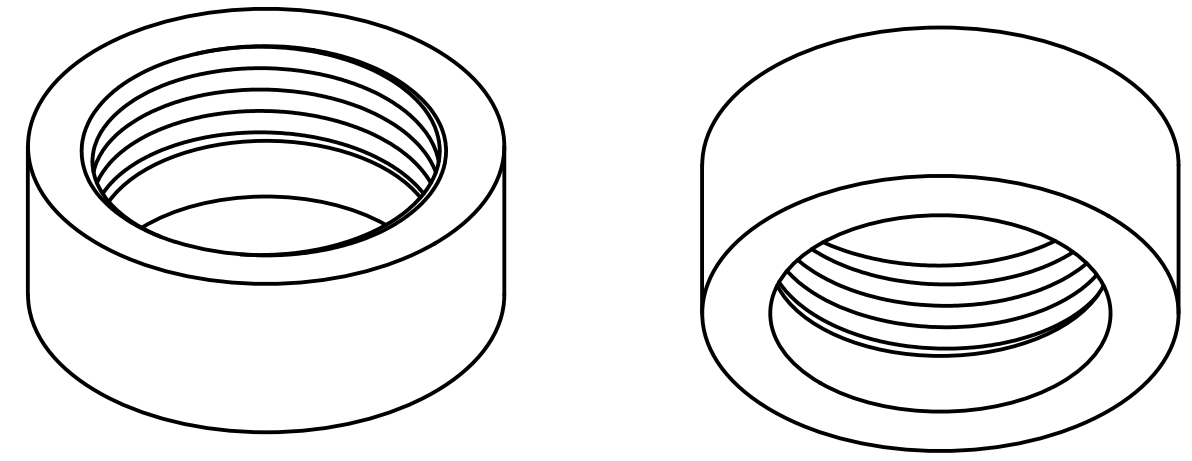
Dept.	Technical reference	Created by	Approved by
		Document type	Document status
		Title	DWG No.
		Corps	
Rev.	Date of issue	Sheet	1/1



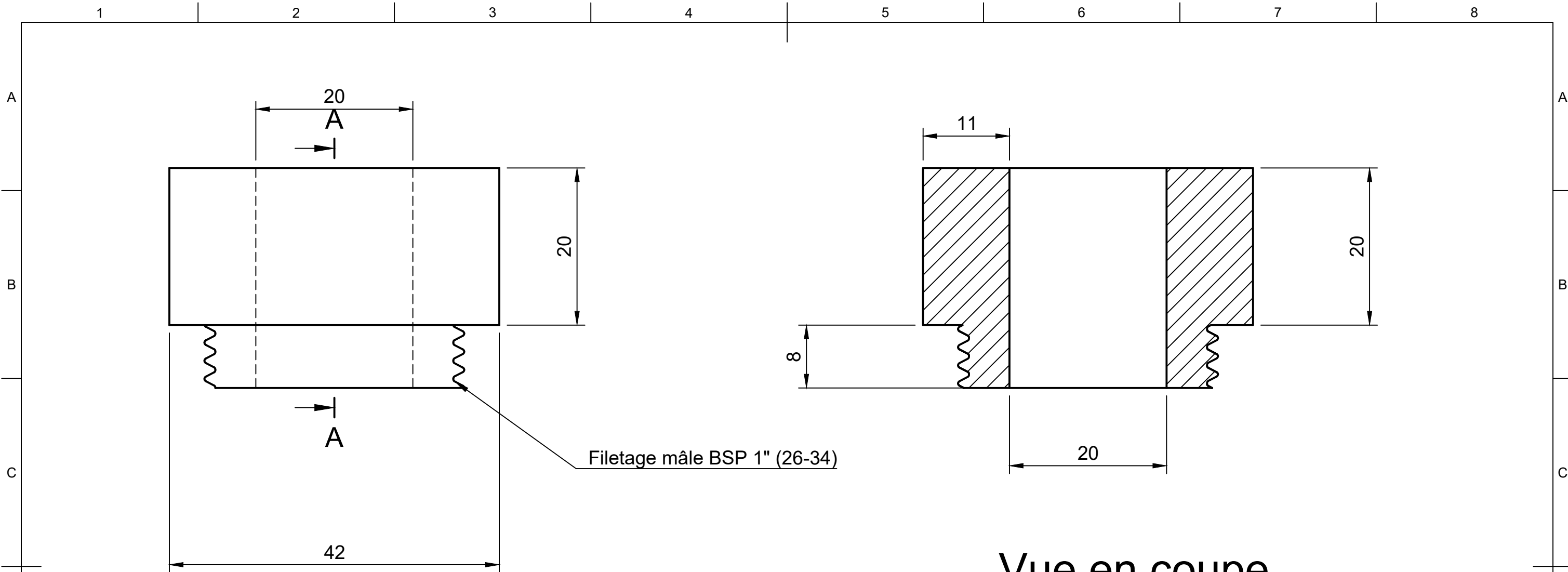
Dept.	Technical reference	Created by	Approved by
		Document type	Document status
		Title Platine	DWG No.
		Rev.	Date of issue
		Sheet 1/1	



Vue en coupe
selon l'axe AA

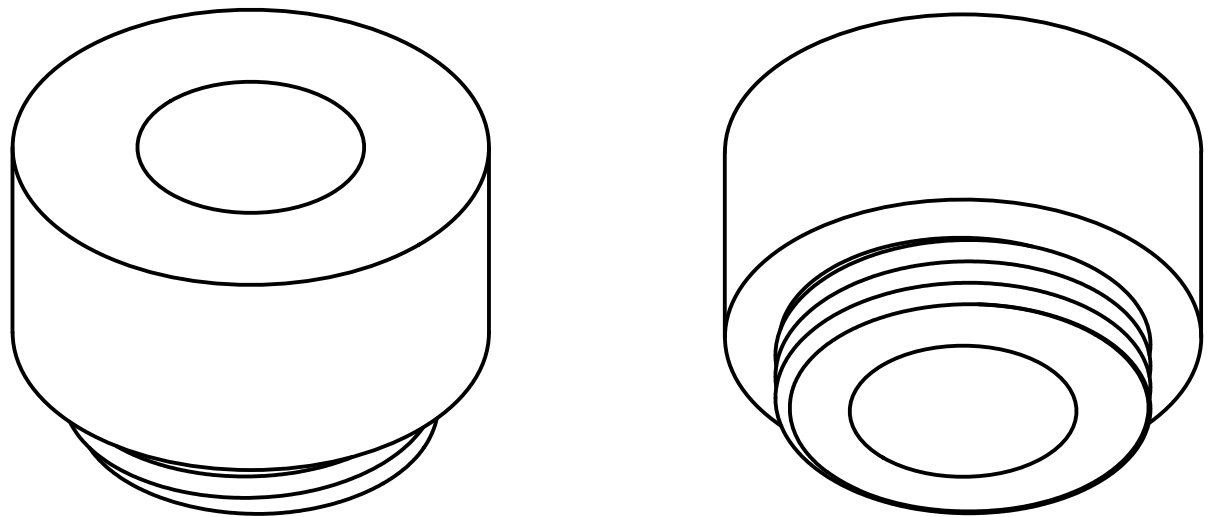


Dept.	Technical reference	Created by	Approved by
		Document type	Document status
		Title Raccord femelle	
		Rev.	Date of issue
		Sheet 1/1	

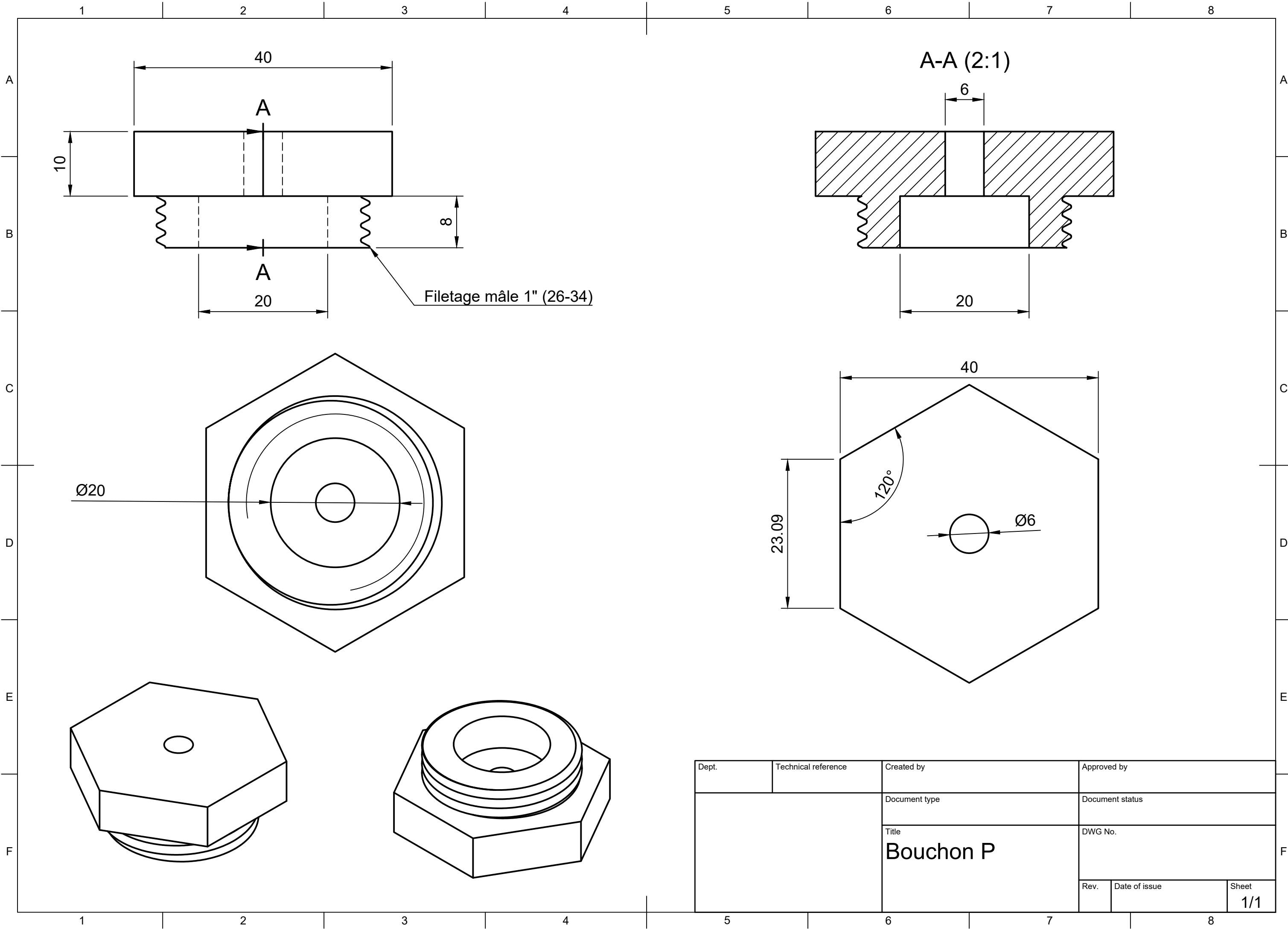


Filetage mâle BSP 1" (26-34)

Vue en coupe
selon l'axe AA



Dept.	Technical reference	Created by	Approved by
		Document type	Document status
		Title Bouchon G	DWG No.
	Rev.	Date of issue	Sheet 1/1



Dept.	Technical reference	Created by	Approved by
		Document type	Document status
		Title	DWG No.
		Bouchon P	
Rev.	Date of issue	Sheet	1/1