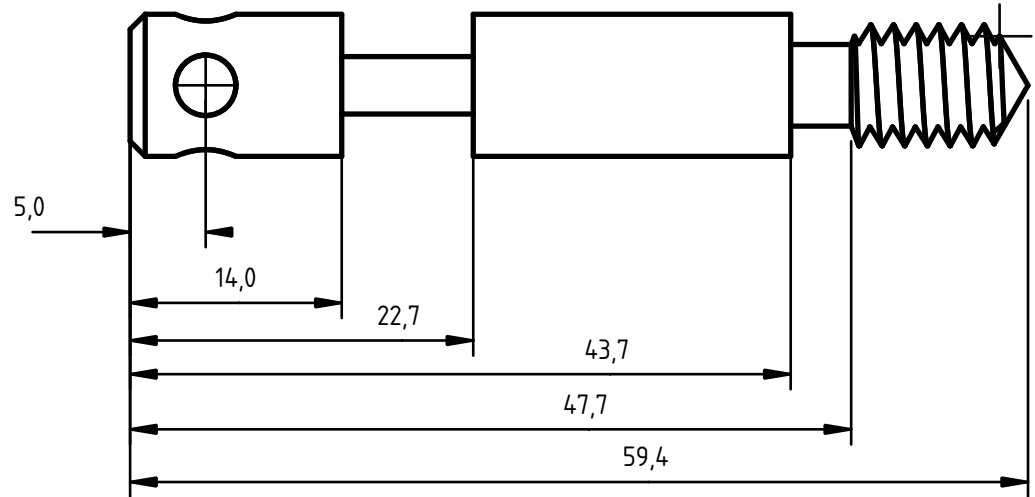
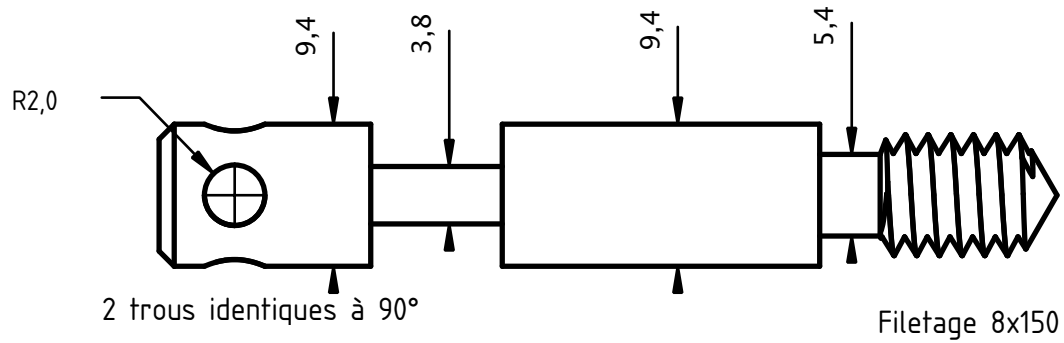


Diam Tête	9,4
Diam fin 1	3,8
Diam corps	9,4
Diam fin 2	5,4
Diam filetage	8
Long tête	14
Long fin 1	8,7
Long corps	21
Long fin 2	4
Long filetage	11,7
Pas filetage	1,5
PositionXTrous	5
DiamTrous	4



DESIGNED BY: C. Migliorini		Vis Mobilier		G	—
DATE: 3/6/2020		Tolérance générale +/- 0,1		F	—
SIZE A4				E	—
SCALE 2:1	WEIGHT (kg)			D	—
DRAWING NUMBER		SHEET 1		C	—
				B	—
				A	—

This drawing is our property; it can't be reproduced or communicated without our written consent.