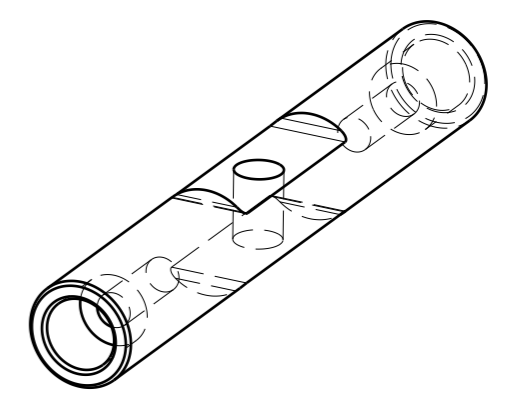
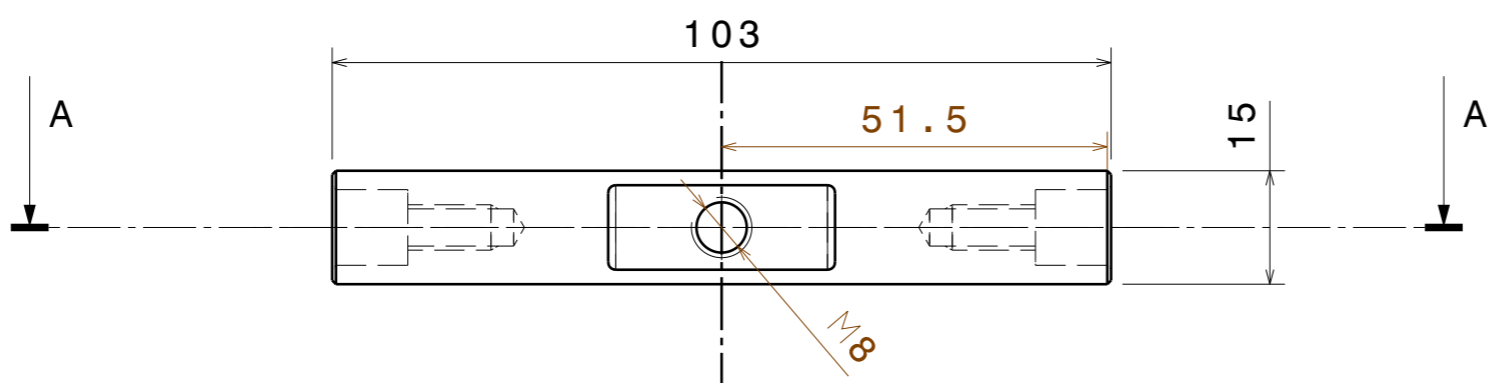


H G F E D C B A

4

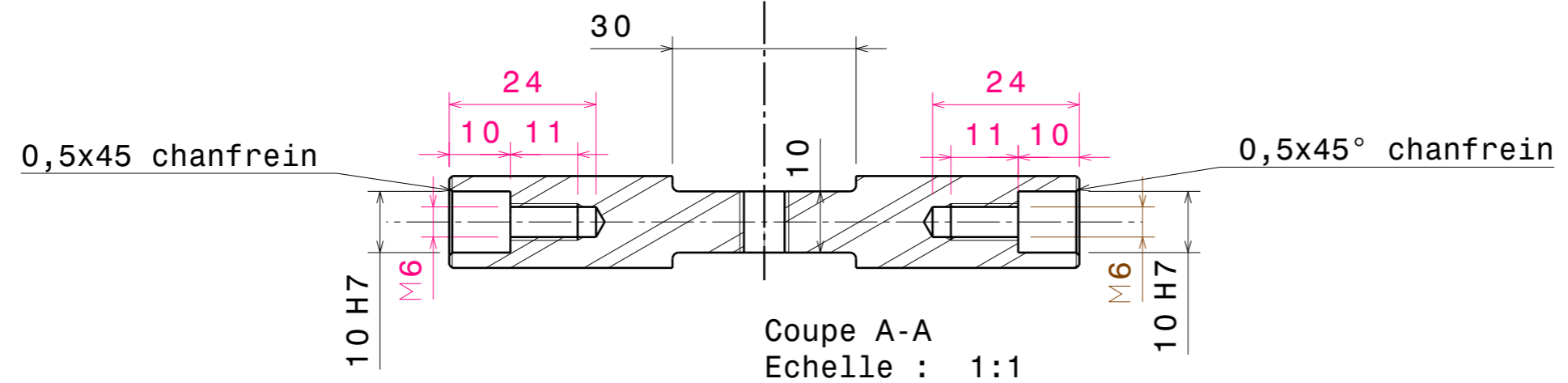
4



Vue isométrique
Echelle : 1:1

3

3



Coupe A-A
Echelle : 1:1

2

2

1

1

DESIGNED BY: Guis Maker		<h1>AXE_EPERON</h1>		I	-
DATE: 18/05/2020				H	-
CHECKED BY: Guis Maker				G	-
DATE: 18/05/2020				F	-
SIZE: A3		<h1>GUIS MAKER</h1>		E	-
SCALE: 1:1				WEIGHT (kg): XXX	D
DRAWING NUMBER: XXX		SHEET: 1/1		C	-
This drawing is our property; it can't be reproduced or communicated without our written agreement.				B	-
				A	-

H G B A