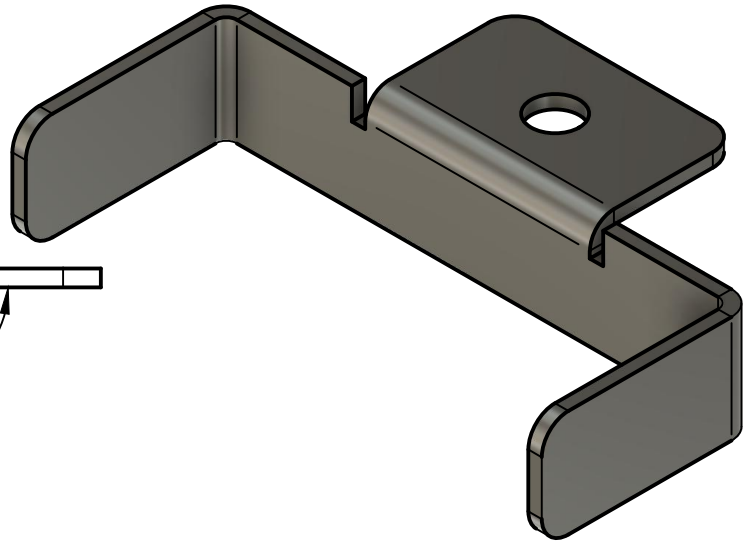
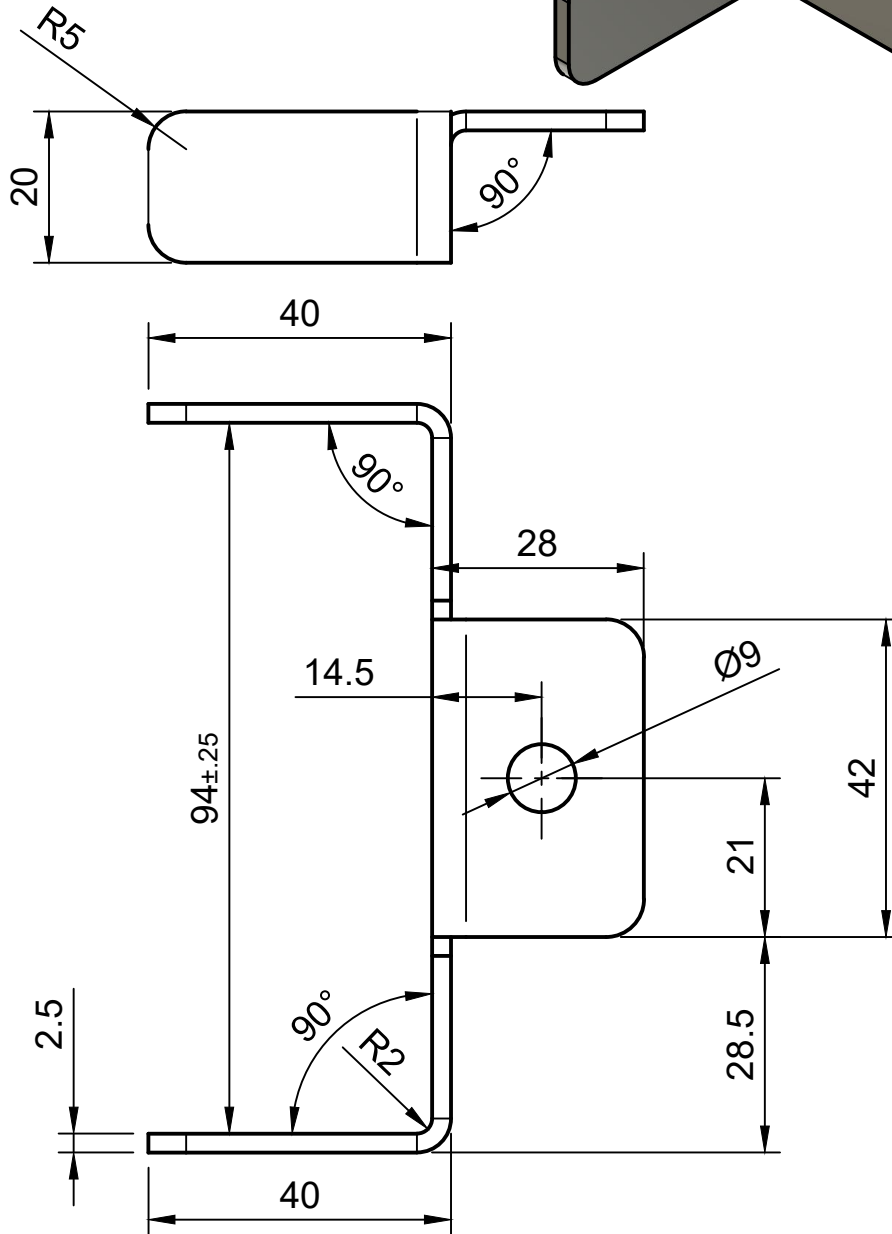


- Epaisseur de tôle = 2,5mm
- Angle des pliages = 90°
- Rayon des pliages = 2mm
- Congé des coins = 5mm

- Sheet thickness = 2,5mm
- Bends angle = 90°
- Bends radius = 2mm
- Corners fillet = 5mm



Material = Stainless steel (Acier inoxydable)

Dept.	Technical reference	Created by Antonin	Approved by	
		18/05/2020	Document status	
		Document type	DWG No.	
Ech 1:1		Title BlocageLongitudinal		Sheet 1/1
		Rev.	Date of issue	