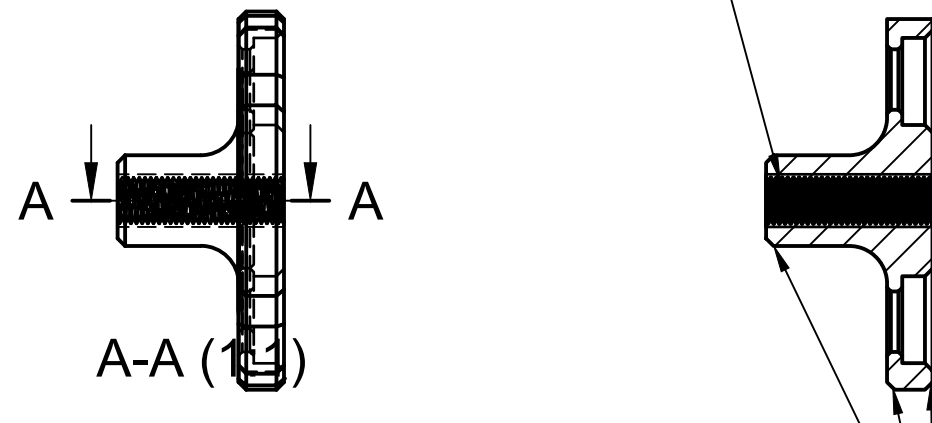
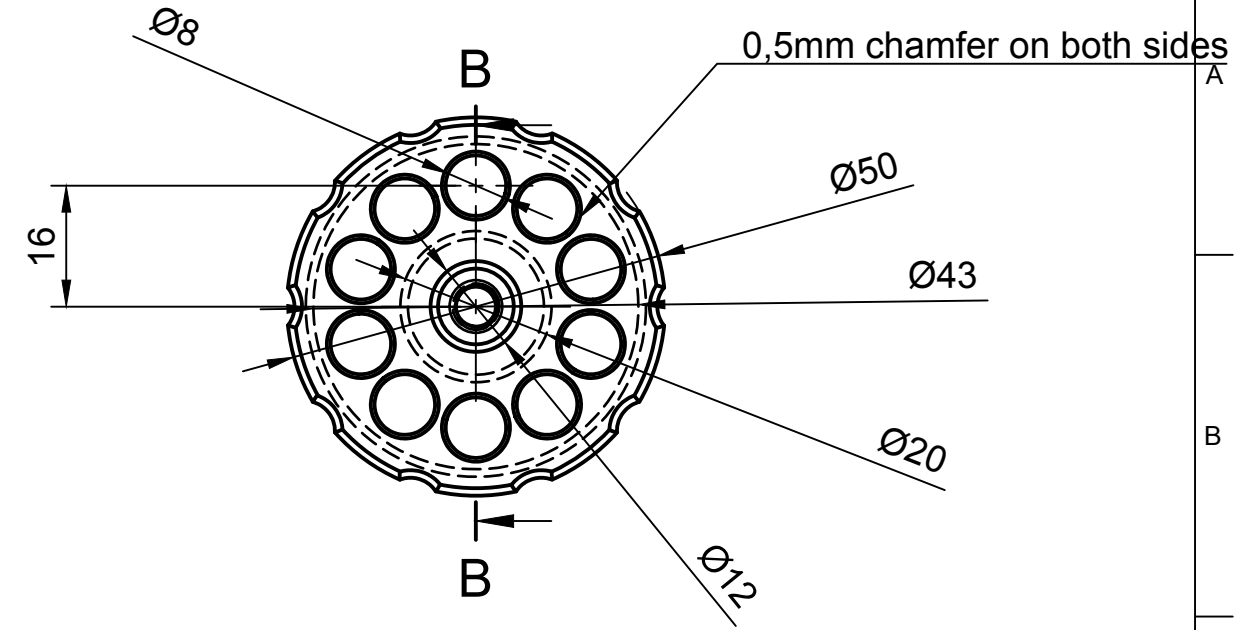
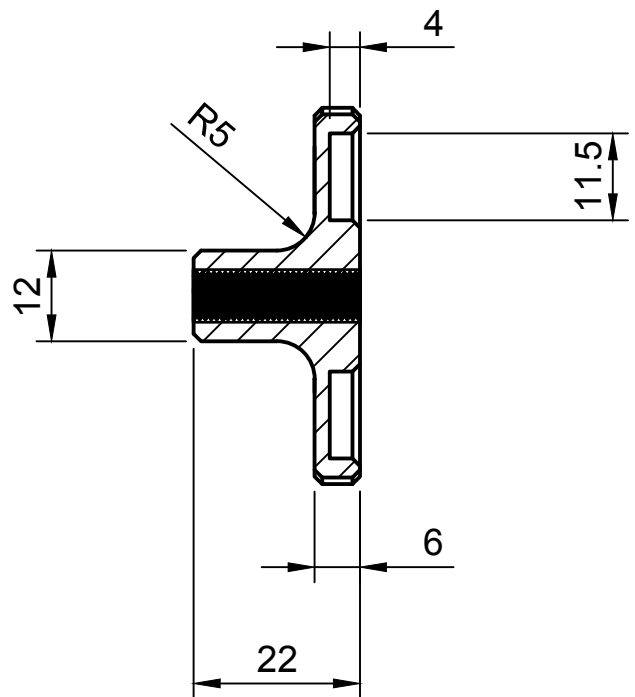


B-B (1:1)

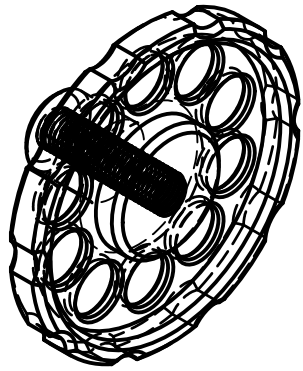
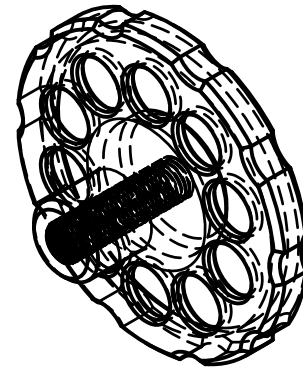
M6x1 internal Threads



A-A (1:1)



1mm chamfer



Dept.	Technical reference	Created by Matthieu TESSON 14/05/2020	Approved by
		Document type	Document status
		Title Roue serrage	DWG No.
Rev.	Date of issue	Sheet	1/1