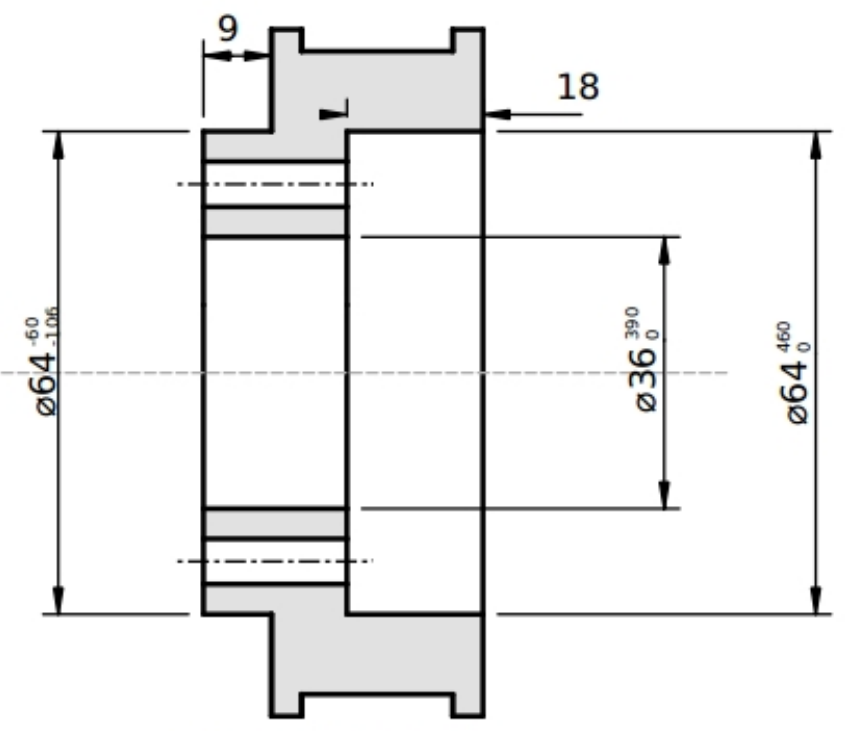
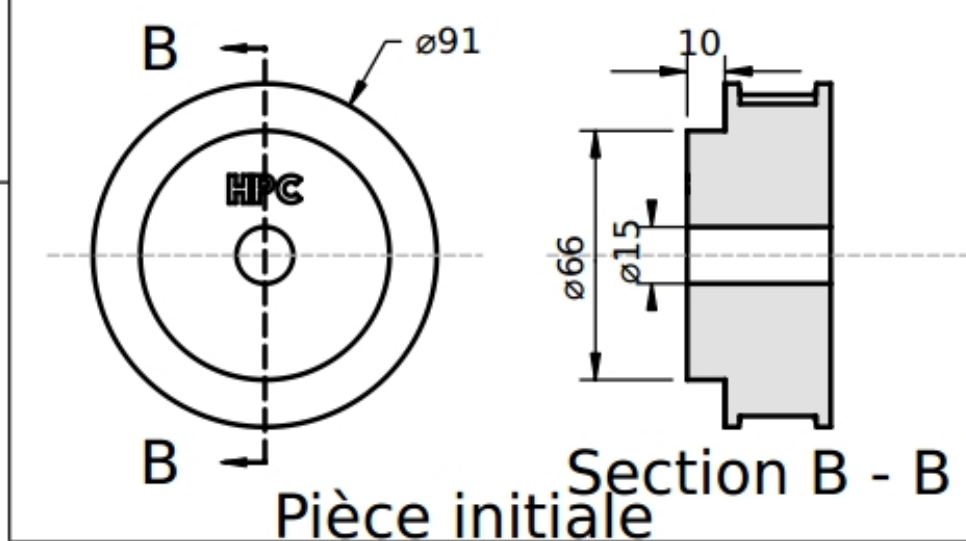


Pièce finale



Section A-A

*sauf contre indication,  
les tolérances sont de classe m  
(ISO 2768)*



Section B - B

Pièce initiale

DESIGNED BY: B. Pichancourt		Poulie		G	-
DATE: 22/05/2020		acier (pièce initiale HPC34HTD8M-20F)		F	-
SIZE: <b>A4</b>				E	-
SCALE: 1		DRAWING NUMBER: version 02		D	-
WEIGHT (kg):		SHEET:		C	-
				B	-
				A	-

This drawing is our property; it can't be reproduced or communicated without our written consent.