

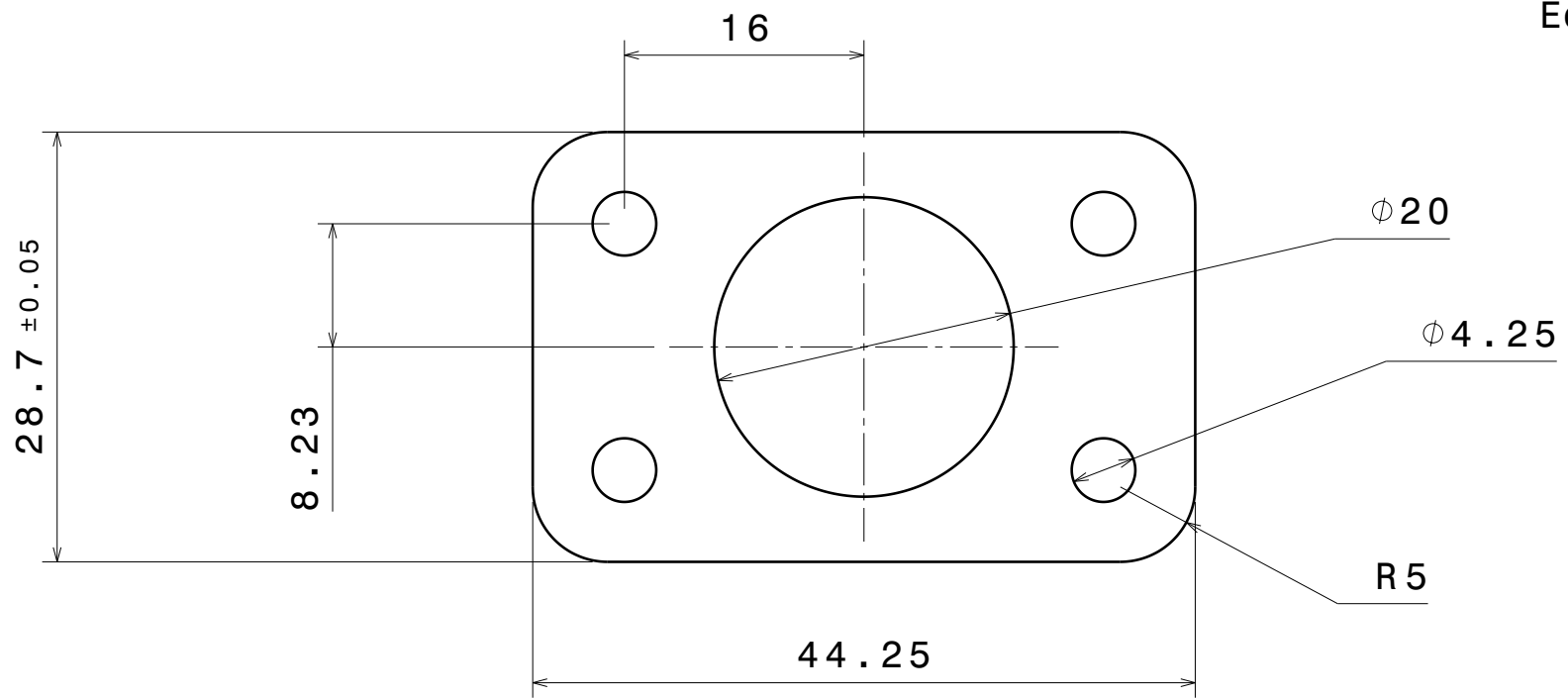
D

C

B

A

Vue de face  
Echelle : 2:1



**Toute cote non tolérancée à +/-0.1mm**

DESIGNED BY: <b>Séraphin</b>		<b>Matériau : tôle alu 2017 3mm</b>		I	-
DATE: <b>10/05/2020</b>				H	-
CHECKED BY: <b>XXX</b>		<b>Quantité : 8</b>		G	-
DATE: <b>XXX</b>				F	-
SIZE <b>A4</b>		<b>Renfort_charniere_gouv_ stab h alu</b>		E	-
SCALE <b>1:1</b>	WEIGHT (kg) <b>0,01</b>			DRAWING NUMBER <b>1/1</b>	SHEET <b>1/1</b>
This drawing is our property; it can't be reproduced or communicated without our written agreement.				C	-
				B	-
				A	-

D

A