

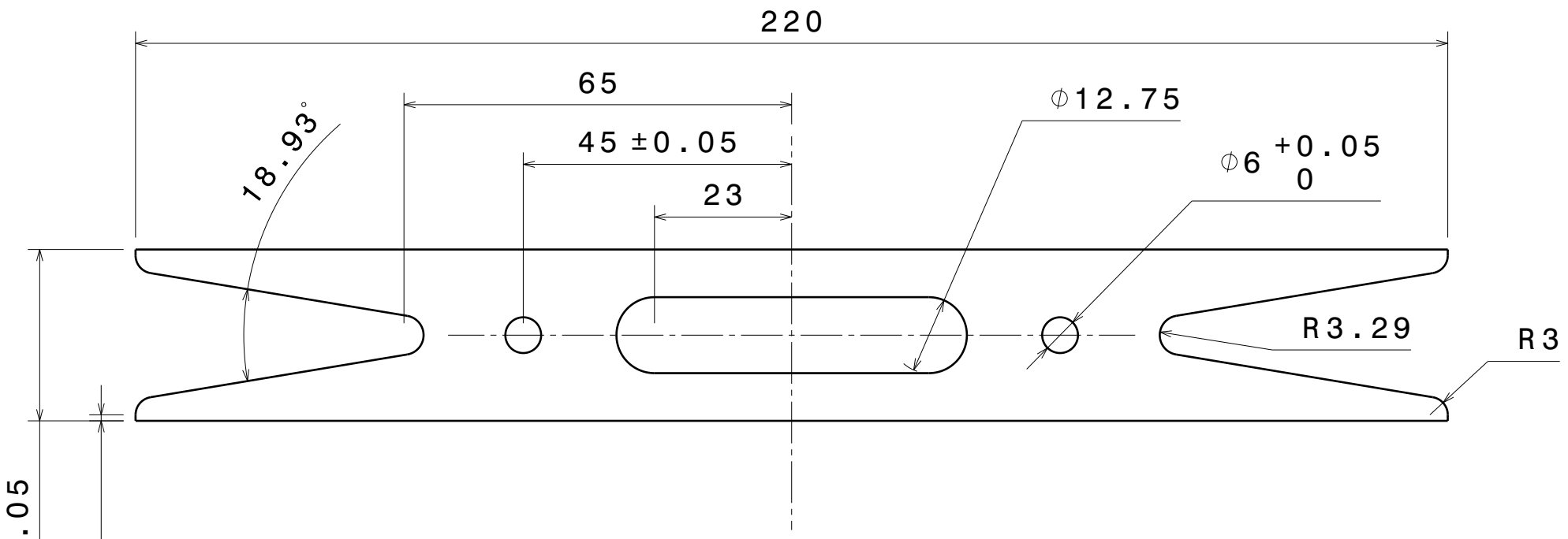
D

C

B

A

Vue de face  
Echelle : 1:1



Toute cote non tolérancée à +/-0.1mm

28.75 ± 0.05

1

DESIGNED BY:  
Séraphin  
DATE:  
10/05/2020  
CHECKED BY:  
XXX  
DATE:  
XXX

**Matériau : tôle alu 2017 3mm**

SIZE  
**A4**

**Quantité : 2**

SCALE  
**1:1**

WEIGHT (kg)  
**0,02**

DRAWING NUMBER  
**Plaque\_renfort\_stab\_h\_front**

SHEET  
**1/1**

This drawing is our property; it can't be reproduced or communicated without our written agreement.

D

A

4

3

2

1

4

3

2

1