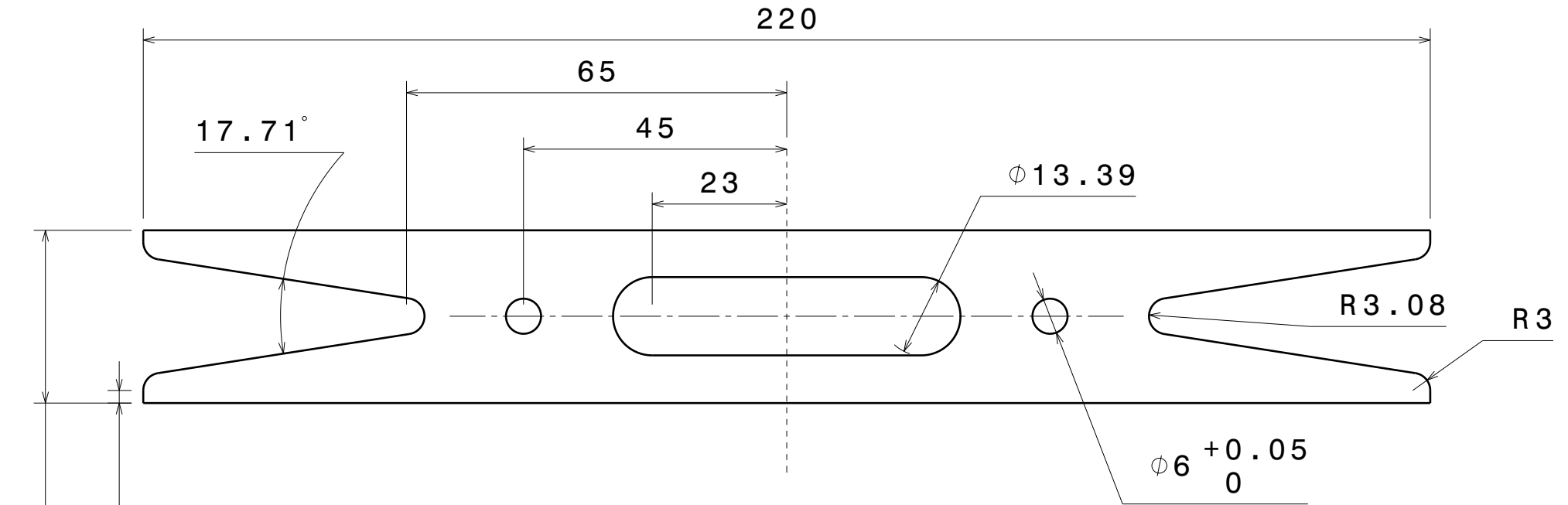


Vue de face
Echelle : 1:1



Toutes cotes non toléancées à +/-0.1mm

29.54 ± 0.05

DESIGNED BY: Séraphin		Matériau : tôle alu 2017 3mm		I	-
DATE: 10/05/2020				H	-
CHECKED BY: XXX		Quantité : 2		G	-
DATE: XXX				F	-
SIZE A4		Plaque_renfort_stab_h_back		E	-
SCALE 1:1	WEIGHT (kg) 0,02			D	-
DRAWING NUMBER		SHEET		C	-
		1/1		B	-
This drawing is our property; it can't be reproduced or communicated without our written agreement.				A	-

D

A