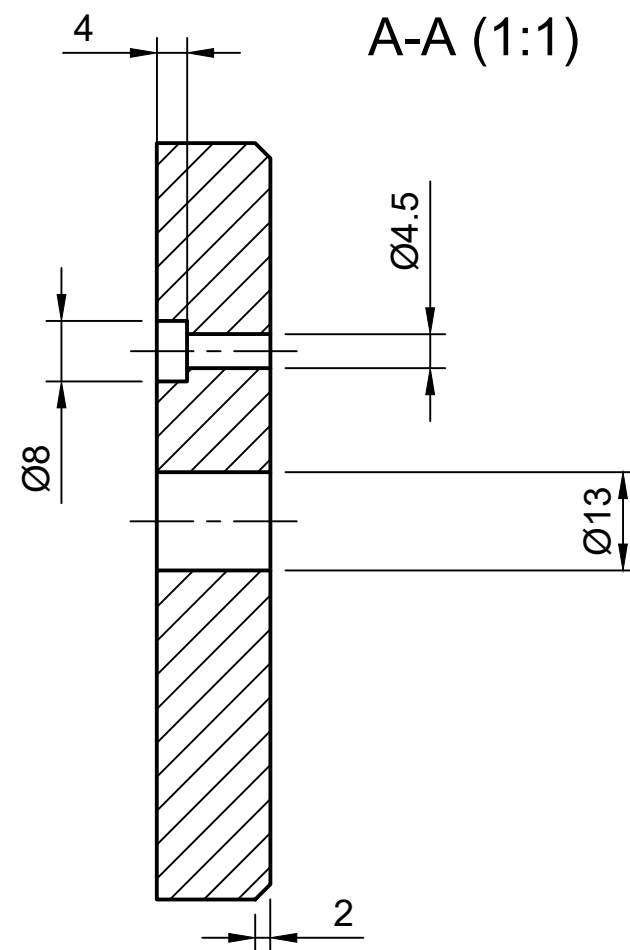
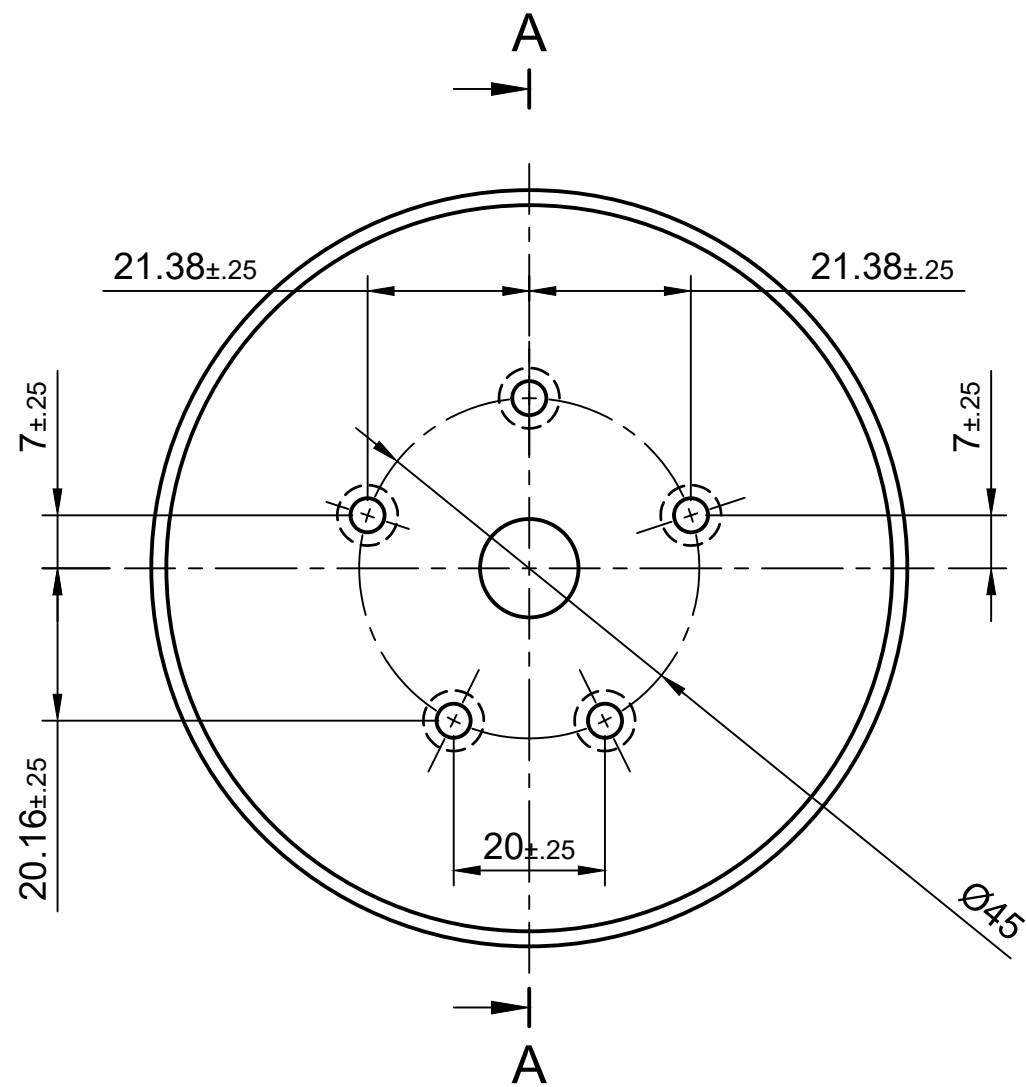
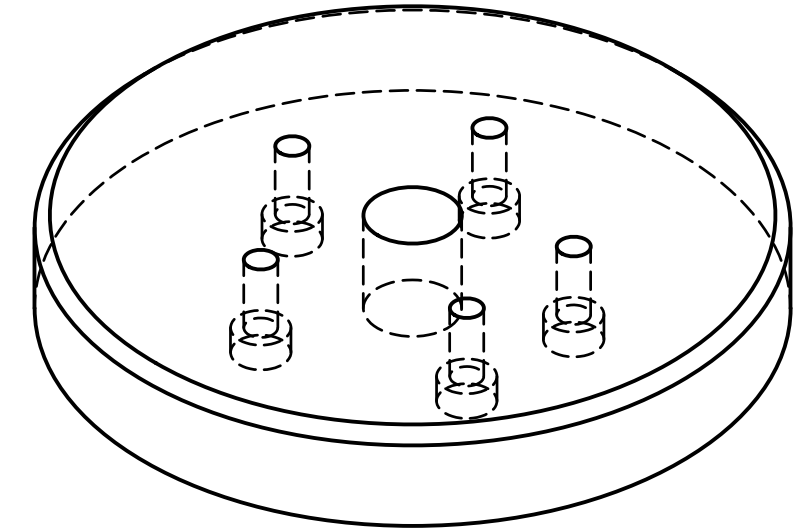
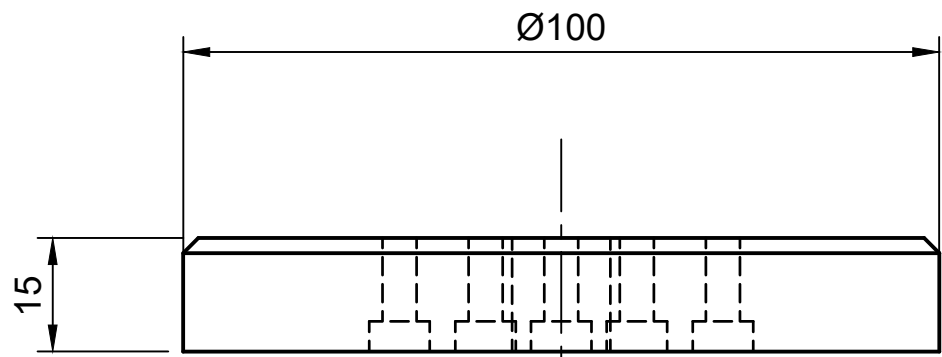
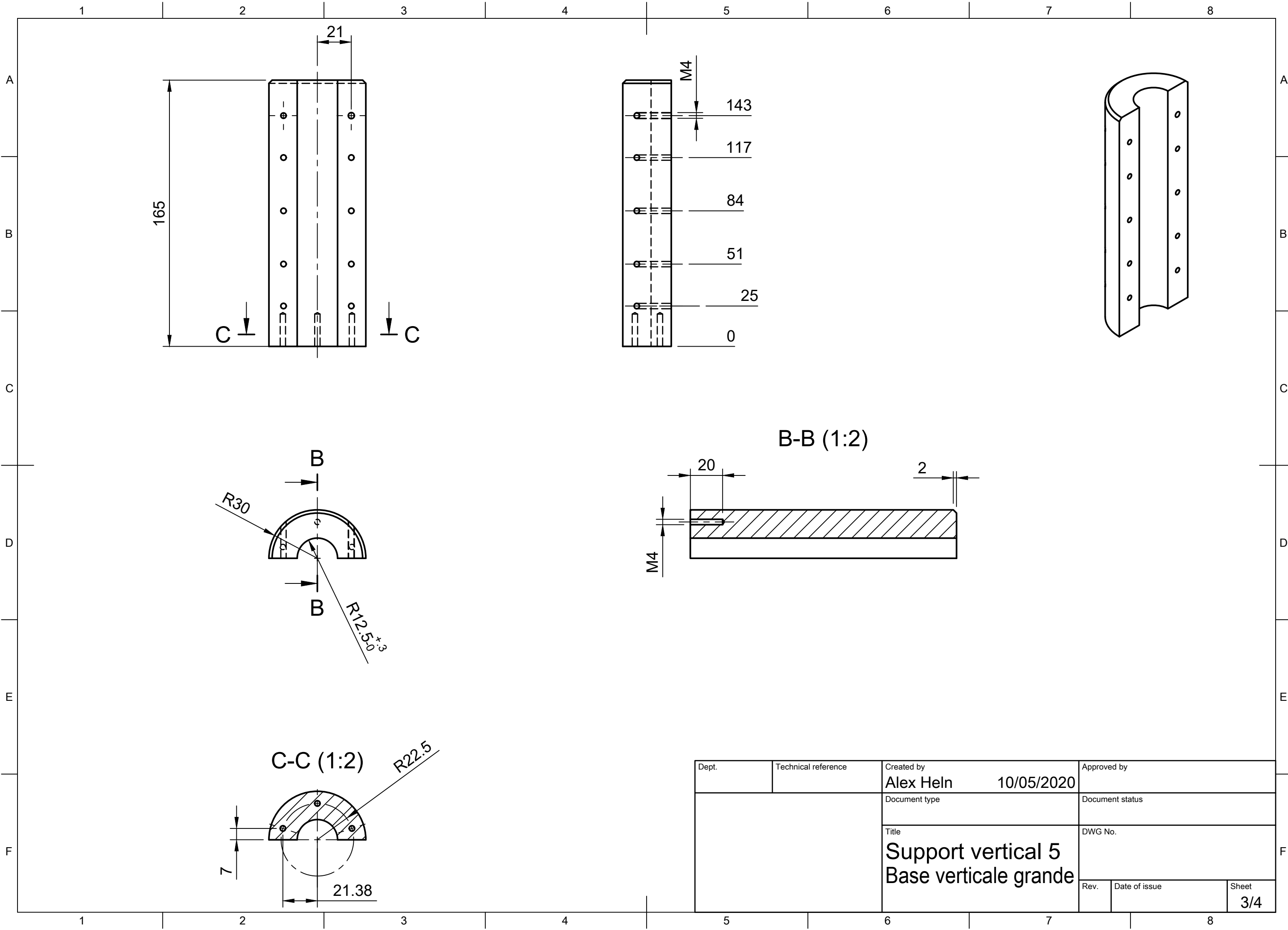


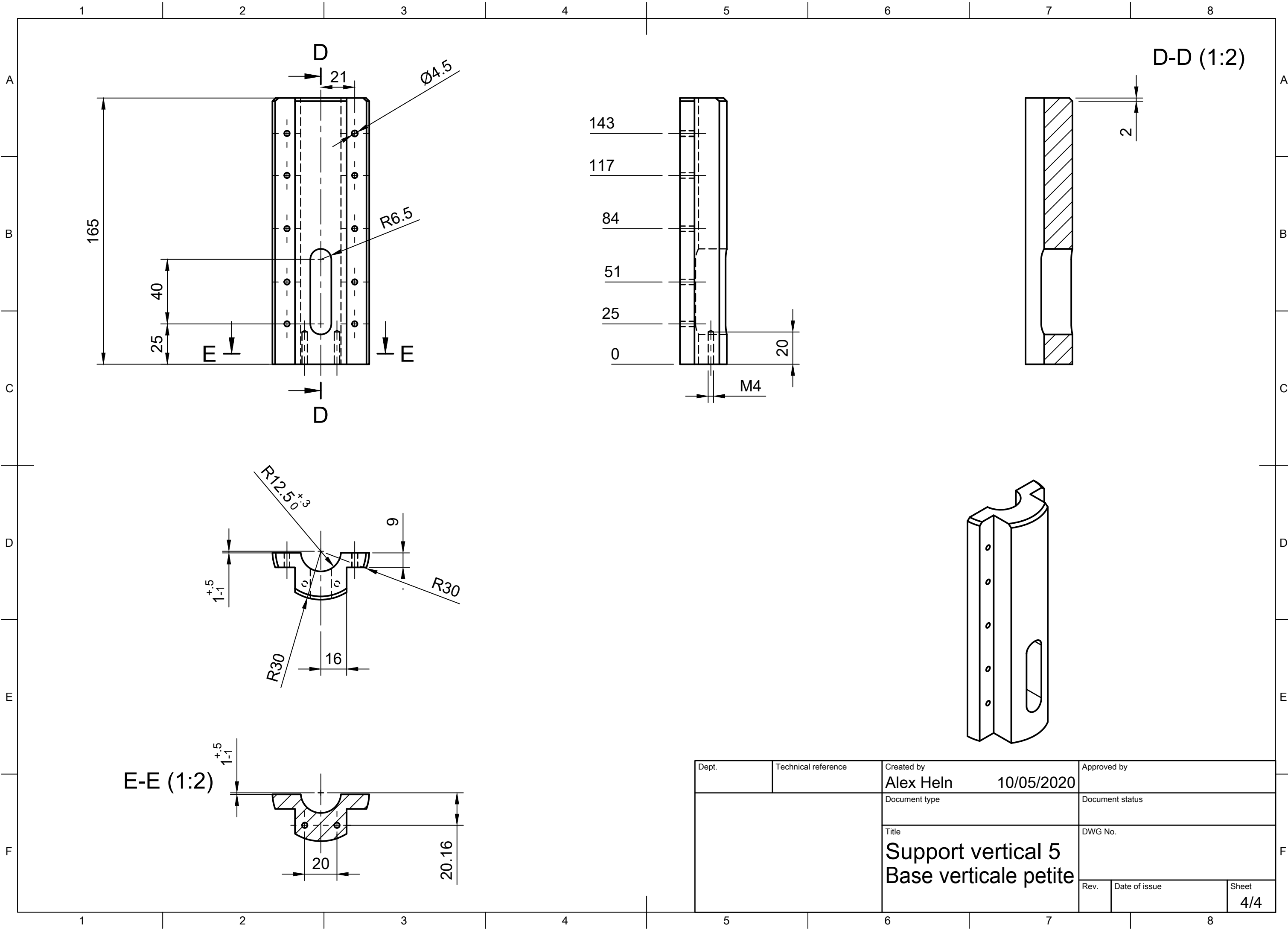
Parts List				
Item	Qty	Part Number	Description	Material
1	1	Base verticale petite		Ash
2	1	Base ronde		Ash
3	1	Base verticale grande		Ash
Dept.	Technical reference	Created by Alex Heln	10/05/2020	Approved by
		Document type	Document status	
		Title Support vertical 5 Vue générale		DWG No.
Rev.	Date of issue	Sheet		1/4



Dept.	Technical reference	Created by Alex Hein	10/05/2020	Approved by
		Document type		Document status
		Title Support vertical 5 Base ronde		DWG No.
		Rev.	Date of issue	Sheet 2/4



Dept.	Technical reference	Created by Alex Heln	10/05/2020	Approved by
		Document type	Document status	
		Title Support vertical 5 Base verticale grande	DWG No.	
Rev.	Date of issue	Sheet	3/4	



Dept.	Technical reference	Created by Alex Heln	10/05/2020	Approved by
		Document type	Document status	
		Title Support vertical 5 Base verticale petite	DWG No.	
Rev.	Date of issue	Sheet 4/4		